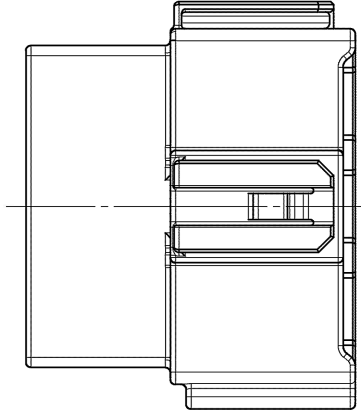


3

2

1

GENERAL TOLERANCE											
	10 MAX	50 MAX	100 MAX	250 MAX	250 OVR	R5 MAX	R10 MAX	R20 MAX	R20 OVR	ANGLE	ECCENT
A	±0.15	±0.2	±0.3	±0.5	±0.75					±3°	0.1
B	±0.2	±0.3	±0.55	±0.95	±1.4	±0.2	±0.3	±0.5	±2.5	±3°	0.1
◎	±0.3	±0.5	±0.8	±1.4	±2					±3°	0.15



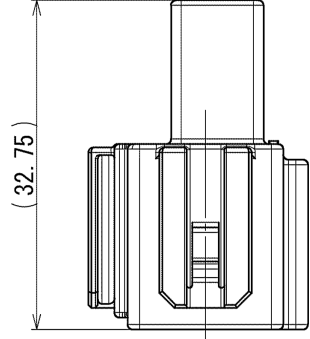
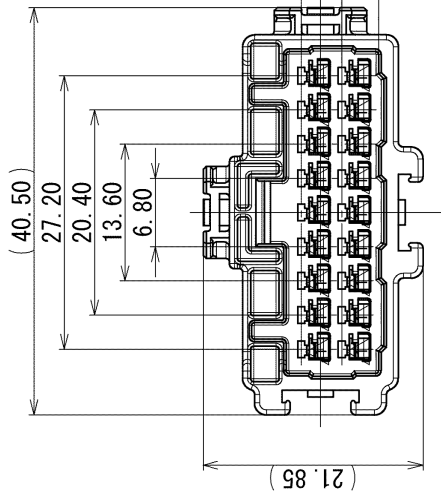
B

注記

1. かん合相手品番 : 7187-8856 ETC.
2. 適用端子品番 : 7114-7386-02 ETC.

NOTES

1. MATING PART NO. : 7187-8856 ETC.
2. APPLICABLE TERMINAL PART NO. : 7114-7386-02 ETC.



A

LET	DATE	REVISION RECORD	NO.	CHKD	VENDOR	OFFICE	J.C	J.C	CHANGED FORM.	A	Q	A	Q	A	Q
△	2016/02/04	ADDED PART NO.	C16-Z126												
△	2015/04/07	ADDED COLOR PART NO.	C15-Z136												
△	2014/09/16	ADDED COLOR NO. ETC.	C14-Z544												
△	2012/01/11	CHANGED FORM.	△												
	2011/12/01	NEW													
GENERAL TOLERANCE															
A	10MAX	±0.15	±0.2	±0.3	±0.5	±0.75	±30'	±30'	±30'	±30'	±30'	±30'	±30'	±30'	±30'
B	±0.2	±0.3	±0.55	±0.95	±1.4	±1.4	±30'	±30'	±30'	±30'	±30'	±30'	±30'	±30'	±30'
C	±0.3	±0.5	±0.8	±1.4	±2	±2	±30'	±30'	±30'	±30'	±30'	±30'	±30'	±30'	±30'
SPECIFIED MASS															

MATL. SPEC.	△ SEE TABLE	TREAT. & F.IN.	CUSTOMER	CUSTOMER PART NO.	CUSTOMER DWG NO.	TRIAL PART NO.	VENDOR NO.	DWG TYPE	DWG SOURCE	DWG DATE	UNIT	SCL	ANGLE
								R	NEW	2011/12/01	mm	2:1	3
								APPROVED	CHECKED	DESIGN	DRAWN		
								T. MATSUNAGA		K. MATSUMURA	A. OUTIROL		
								2016/02/04		2011/09/05	2016/02/04		

△ PART NO. AND CH. CODE	MATERIAL	COLOR
7186-8851-△A	PBT	NATURAL
7186-8851-60-△A		GREEN
7186-8851-30-△A		BLACK
7186-8851-80-△A		BROWN
7186-8851-90-△A	BLUE	

NAME	060 18P HLC HOUSING MALE
PART NO.	△7186-8851 ETC.
CH. CODE	△
DWG NO.	7186-8851:R
SET DWG NO.	
YAZAKI CORPORATION	

3

2

1

X-ON Electronics

Largest Supplier of Electrical and Electronic Components

Click to view similar products for [Automotive Connectors](#) category:

Click to view products by [Yazaki](#) manufacturer:

Other Similar products are found below :

[003-018-000](#) [60993906-B](#) [M902-2131](#) [M902-2161](#) [M902-2344](#) [72.330.1035.1](#) [73.353.4028.0](#) [F166900](#) [F358300-B](#) [F407400](#) [776880-1](#)
[827153-1](#) [8N1515-32-24P](#) [9-1326729-8](#) [925474-1](#) [928905-1](#) [964562-4](#) [968782-1](#) [98891-1012](#) [12004475-L](#) [12020308](#) [12041318-B](#)
[12052466](#) [12064869](#) [12015909](#) [1-21030-1](#) [12041254](#) [12041318](#) [12047946-B](#) [12110546-B](#) [12131792](#) [12084688](#) [12092346](#) [HD34-18-14PT](#)
[HD46-24-23SN-059](#) [HDB36-24-16PN-059](#) [HDP26-24-9SE-L015](#) [12185280](#) [12185550](#) [12336-12](#) [12191172-B](#) [12S](#) [13545280](#) [13577943](#)
[13681974](#) [13737722-B](#) [13830674](#) [13832576](#) [13849772](#) [13542772](#)