

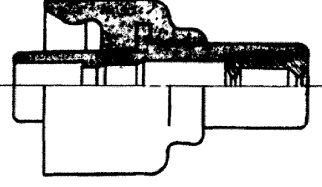
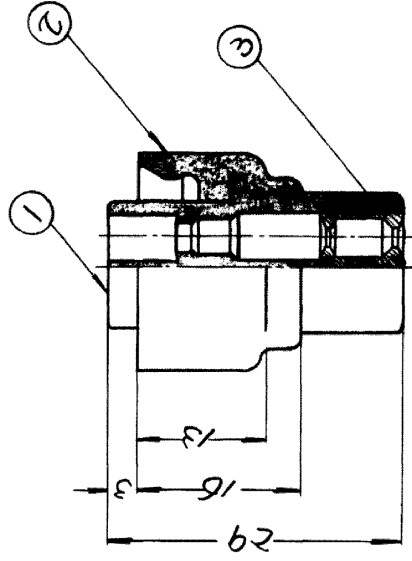
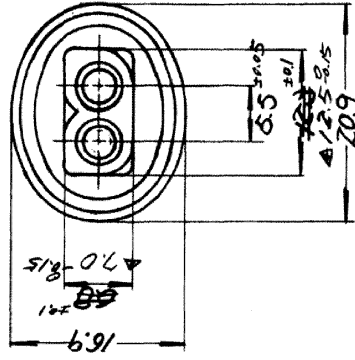
NO.	PART NO. AND. CH. CODE	PART NAME	MATERIAL	COLOR	QTY
①	7129-3023	△ 2P HOUSING FEMALE	66 NYLON	NATURAL	1
②	7157-1260	△ HOUSING COVER	EPDM	BLACK	1
③	7157-3040	RUBBER SEAL	EPDM	BLACK	1

注記

- △ 1. 適用端子品番 : 7115-1330
- △ 2. かん合相手品番 : 7228-3023
- △ 3. 適用防水栓品番 : 7157-9740
- △ 4. 適用の端子を組付けた製品仕様については、矢崎製品規格 (YPES-11-04-001) に準ずる。

NOTES

- △ 1. APPLICABLE TERMINAL PART NO. : 7115-1330
- △ 2. MATING PART NO. : 7228-3023
- △ 3. APPLICABLE SEALED PLUG PART NO. : 7157-9740
- △ 4. THE APPLICATION OF TERMINAL ASSEMBLY PRODUCT SPECIFICATION SHALL BE ACCORDING TO YAZAKI PRODUCT STANDARD (YPES-11-04-001)



DATE	REVISION RECORD	NO.	CHKD	Y: K	SAITOH
2013/06/21	CHANGED NOTES ETC.	C13-Z291	E. D		
2012/04/19	CHANGED NOTES, ETC.	C12-Z400	A. Q		
2011/11/14	CHANGED PART NAME	C11-ZA61	R. P		
1975/10/21	CHANGED DIMENSION	G5-555	さとう		
1974/07/04	NEW	G4-501	Y. K		
LET	DATE	REVISION RECORD	NO.	CHKD	Y: K
GENERAL TOLERANCE					
A	±0.15	50MAX	±0.3	100MAX	±0.5
B	±0.2	±0.3	±0.55	±0.95	±1.4
C	±0.3	±0.5	±0.8	±1.4	±2
SPECIFIED					
ECCENT					
	ANGLE	2500V/R	±0.75	±30'	±30'
APPROVED					
S. MIZUSE			E. DOMINGO		
2013/06/21			2013/06/21		

CUSTOMER	CUSTOMER PART NO.	CUSTOMER DWG NO.	MATL. SPEC.	SEE TABLE	TREAT. & FIN.
OFFICE	TRIAL PART NO.		NAME △ 2P HOUSING SUB ASSEMBLY FEMALE		
VENDOR			ISSUE MARK		
DWG TYPE	DWG SOURCE	DWG DATE	UNIT	SCL	ANGLE
R	NEW	1973/12/12	mm	FREE	3
CHECKED	CHECKED	DESIGN	DRAWN		
S. MIZUSE			E. DOMINGO		
2013/06/21			2013/06/21		
PART NO. CH. CODE	7229-3023				
DWG NO.	7229-3023:R		SET DWG NO.		
YAZAKI CORPORATION					

X-ON Electronics

Largest Supplier of Electrical and Electronic Components

Click to view similar products for [Automotive Connectors](#) category:

Click to view products by [Yazaki](#) manufacturer:

Other Similar products are found below :

[003-018-000](#) [60993906-B](#) [M902-2131](#) [M902-2161](#) [M902-2344](#) [72.330.1035.1](#) [73.353.4028.0](#) [F166900](#) [F358300-B](#) [F407400](#) [776880-1](#)
[827153-1](#) [8N1515-32-24P](#) [9-1326729-8](#) [925474-1](#) [928905-1](#) [964562-4](#) [968782-1](#) [98891-1012](#) [12004475-L](#) [12020308](#) [12041318-B](#)
[12052466](#) [12064869](#) [12015909](#) [1-21030-1](#) [12041254](#) [12041318](#) [12047946-B](#) [12110546-B](#) [12131792](#) [12084688](#) [12092346](#) [HD34-18-14PT](#)
[HD46-24-23SN-059](#) [HDB36-24-16PN-059](#) [HDP26-24-9SE-L015](#) [12185280](#) [12185550](#) [12336-12](#) [12191172-B](#) [12S](#) [13545280](#) [13577943](#)
[13681974](#) [13737722-B](#) [13830674](#) [13832576](#) [13849772](#) [13542772](#)