

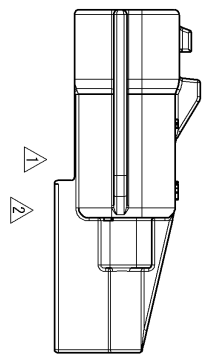
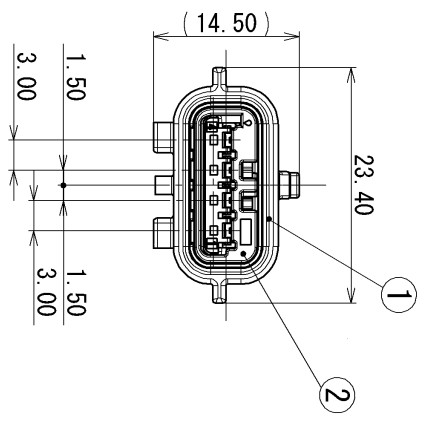
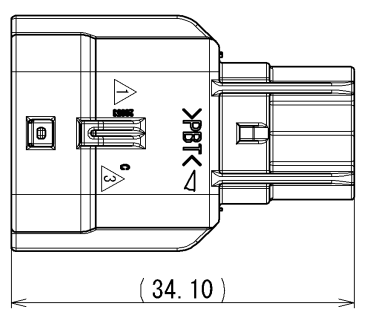
| SUB ASSEMBLY PART NO. AND CH. CODE | NO. | PART NO. AND CH. CODE | MATERIAL | COLOR | QTY. | MATING PART NO. |
|---------------------------------------|-----|--------------------------|----------|-----------|------|-----------------|
| 7282-8853-30, ⑤ ③ | ① | 7182-8853-30 | PBT | BLACK | 1 | ② 7283-8853-30 |
| | ② | ③ 7158-5265 | PBT | ③ NATURAL | 1 | 7283-8857-30 |
| ④ 7282-8853-80, ⑥ ④ ③ | ① | 7182-8853-80 | PBT | BROWN | 1 | |
| | ② | ③ 7158-5265 | PBT | ③ NATURAL | 1 | ④ 7283-8857-80 |

NOTES

- ①. MATING PART NO. : SEE TABLE
- ②. APPLICABLE TERMINAL NO. : 7114-4415-02 ETC.
- ③. APPLICABLE SEAL RUBBER NO. : 7158-3165-90, 7158-3166-60, 7158-3167-80, 7158-3168-80, 7158-3182-20
- ④. APPLICABLE UNUSED CAVITY PLUG: 7158-3169-40

注記

- ①. カン合相手品番 : TABLE 参照
- ②. 適用端子品番 : 7114-4415-02 ETC.
- ③. 適用丁込品番 : 7158-3165-90, 7158-3166-60, 7158-3167-80, 7158-3168-80, 7158-3182-20
- ④. 適用防水栓品番 : 7158-3169-40



| REV. | DATE | REVISION RECORD | NO. | CHD |
|------|------------|-------------------------|----------|-----|
| ⑤ | 10/11/15 | CHANGED PART NAME | C10-ZA94 | R E |
| ④ | 08/08/26 | CHANGED NOTE | C08-Z539 | M A |
| ③ | 03/08/07 | CHANGED CODE ② | C03-X324 | T Y |
| ② | 02/08/21 | CHANGED FORM, ETC. | C02-X881 | T Y |
| ① | 02/02/06 | ELIMINATE SECTION, ETC. | C02-X199 | T Y |
| | 2001/11/08 | NEW | C01-Y135 | T Y |

| GENERAL TOLERANCE | 50MMAX | 100MMAX | 250MMAX | 2500UR | ANGLE | EGCENT |
|-------------------|--------|---------|---------|--------|-------|--------|
| A | ±0.15 | ±0.3 | ±0.5 | ±0.75 | ±30° | 0.1 |
| B | ±0.2 | ±0.3 | ±0.55 | ±0.95 | ±30° | 0.1 |
| ⑥ | ±0.3 | ±0.5 | ±0.8 | ±1.4 | ±30° | 0.15 |

| CUSTOMER | CUSTOMER PART NO. | CUSTOMER DNG NO. | TRIAL PART NO. | VENDOR NO. | VENDOR | CHD |
|----------|-------------------|------------------|----------------|------------|--------|-----|
| | | | | | | |

| DWG TYPE | DWG SOURCE | DWG DATE | UNIT | SCALE | ANGLE | PART NO. CH. CODE | SET DRW NO. |
|------------|------------|-------------|--------------|------------|-------|----------------------|-------------|
| R | NEW | 01/11/08 | mm | 2/1 | 3 | 7282-8853-30 ETC. ④ | |
| APPROVED | CHECKED | CHECKED | DESIGN | DRAWN | | 7282-8853-30:R | |
| S. MI ZUSE | | R. CABANGAL | M. KASHIYAMA | R. ESPITAL | | YAZAKI CORPORATION | |

X-ON Electronics

Largest Supplier of Electrical and Electronic Components

Click to view similar products for [Automotive Connectors](#) category:

Click to view products by [Yazaki](#) manufacturer:

Other Similar products are found below :

[003-018-000](#) [60993906-B](#) [72.330.1035.1](#) [776880-1](#) [827153-1](#) [9-1326729-8](#) [9-221607-5](#) [925474-1](#) [928905-1](#) [964562-4](#) [968782-1](#) [12004468](#)
[12004475-L](#) [12004483](#) [12052466](#) [12066163](#) [12015909](#) [12077753](#) [1-21030-1](#) [12047957](#) [12047958](#) [12084688](#) [12185550](#) [12336-12](#) [1-](#)
[326211-1](#) [13681974](#) [13688972](#) [13755420](#) [13779834](#) [13783086](#) [13843152](#) [13522378](#) [13581967](#) [13669624](#) [13675513](#) [13753471](#) [13946876](#)
[13953457](#) [13955963](#) [13964573](#) [13971791](#) [13790534-L](#) [13797473](#) [13805590](#) [13888202](#) [13969981](#) [1428188-1](#) [1437287-3](#) [1428188-2](#) [DS07-](#)
[19S-5020](#)