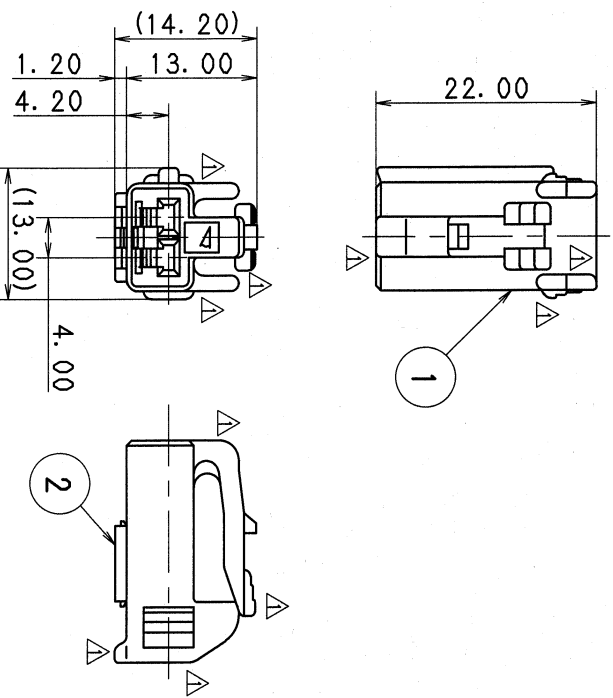


TABLE 1

SUB ASSEMBLY PART NO. AND CH. CODE	PART NO. AND CH. CODE	MATERIAL	COLOR	QTY.
△ 7283-1020 ETC.	① SEE TABLE 2	△ SEE TABLE 2	△ SEE TABLE 2	1
	② 7157-4092 △(7857-4092)	△ HPA	△ NATURAL	1

TABLE 2

SUB ASSEMBLY PART NO. AND CH. CODE	PART NO. AND CH. CODE	MATERIAL	COLOR
7283-1020-10, △	△ 7183-1020-10 △(7B83-1020)	△ HPA	NATURAL
7283-1020-30, △	△ 7183-1020-30	△ HPA	DARK GRAY
7283-1020-40, △	△ 7183-1020-40	△ HPA	BLACK
7283-1020-50, △	△ 7183-1020-50	△ HPA	LIGHT GRAY
7283-1020-60, △	△ 7183-1020-60	△ HPA	ORANGE
7283-1020-70, △	△ 7183-1020-70 △(7B83-1020-70)	△ HPA	GREEN
7283-1020-80, △	△ 7183-1020-80	△ HPA	YELLOW
7283-1020-90, △	△ 7183-1020-90	△ HPA	BROWN



NOTES

- △ 1. MATING PART NO. : 7282-1020 ETC. (7C82-1020 ETC.)
- △ 2. APPLICABLE TERMINAL NO. : 7116-4020 ETC.
- △ 3. PART NUMBERS IN PARENTHESIS SHALL BE USED FOR AIR BAG (A/B) CIRCUITS AND OTHER CIRCUITS DESIGNATED FOR SPECIAL MONITOR.

注記

- △ 1. 嵌合相手品番 : 7282-1020 ETC. (7C82-1020 ETC.)
- △ 2. 適用端子品番 : 7116-4020 ETC.
- △ 3. () 内品番はA/B回路及び特別管理回路に使用される。

△ 05/03/24	CHANGED MATERIAL ETC.	C05-Z525	N. T
△ 99/02/03	CHANGED NOTE	C99-L178	T. M
△ 96/12/02	ADDED A/B PART NO.	C96-N180	H. K
△ 95/03/20	CHANGED MATERIAL.	C95-L362	M. K
△ 93/10/30	CHANGED MATERIAL & ADDED COLOR NO.	C93-P174	C. M
△ 90/11/10	CHANGED SPACER COLOR.	C90-M203	M. H
△ 90/05/11	ADDED PART NO.	C90-L481	H. Y
△ 90/03/28	CHANGED FORM & SPACER PART NO. & RENEW	C90-L338	K. O
88/12/24	NEW	C89-L005	K. J

LET DATE	REVISION RECORD	NO.	CHKD
10MAX 50MAX 100MAX 250MAX 500V R ANGLE ECCENT	GENERAL TOLERANCE		
A ±0.15 ±0.2 ±0.3 ±0.5 ±0.75 ±30'			
B ±0.2 ±0.3 ±0.5 ±0.95 ±1.4 ±2			
C ±0.3 ±0.5 ±0.8 ±1.4 ±2			
SPECIFIED	MASS		9

CUSTOMER	DWG. TYPE	DWG. SOURCE	DWG. DATE	UNIT	SCL	ANGLE
	R	NEW	89/01/13	mm	2:1	3
APPROVED	CHECKED	CHECKED	DESIGN	DRAWN		
Y. OHTA	D. GABRIEL					
05.03.24	05.03.24	05.03.24	88/04/15	05/03/24		

VENDOR NO.	TRIAL PART NO.	MATL. SPEC.	TREAT. & FIN.	ISSUE MARK

NAME	△ 2. 3 II (090 II) 2P CONNECTOR
SUB ASSEMBLY	FEMALE
PART NO.	7283-1020 ETC. (7C83-1020 ETC.)
CH. CODE	
DWG NO.	7283-1020:R
SET DWG NO.	
YAZAKI CORPORATION	



X-ON Electronics

Largest Supplier of Electrical and Electronic Components

Click to view similar products for [Automotive Connectors](#) category:

Click to view products by [Yazaki](#) manufacturer:

Other Similar products are found below :

[003-018-000](#) [60993906-B](#) [M902-2131](#) [M902-2161](#) [M902-2344](#) [72.330.1035.1](#) [73.353.4028.0](#) [F166900](#) [F358300-B](#) [F407400](#) [776880-1](#)
[827153-1](#) [8N1515-32-24P](#) [9-1326729-8](#) [925474-1](#) [928905-1](#) [964562-4](#) [968782-1](#) [98891-1012](#) [12004475-L](#) [12020308](#) [12041318-B](#)
[12052466](#) [12064869](#) [12015909](#) [1-21030-1](#) [12041254](#) [12041318](#) [12047946-B](#) [12110546-B](#) [12131792](#) [12084688](#) [12092346](#) [HD34-18-14PT](#)
[HD46-24-23SN-059](#) [HDB36-24-16PN-059](#) [HDP26-24-9SE-L015](#) [12185280](#) [12185550](#) [12336-12](#) [12191172-B](#) [12S](#) [13545280](#) [13577943](#)
[13681974](#) [13737722-B](#) [13830674](#) [13832576](#) [13849772](#) [13542772](#)