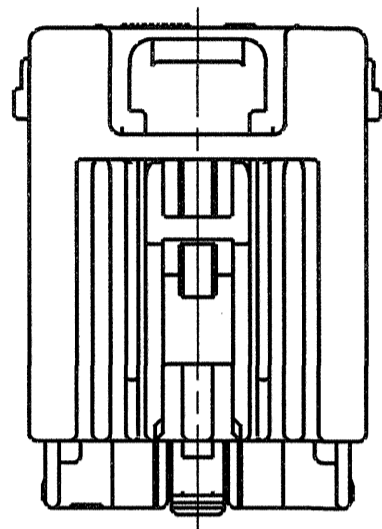
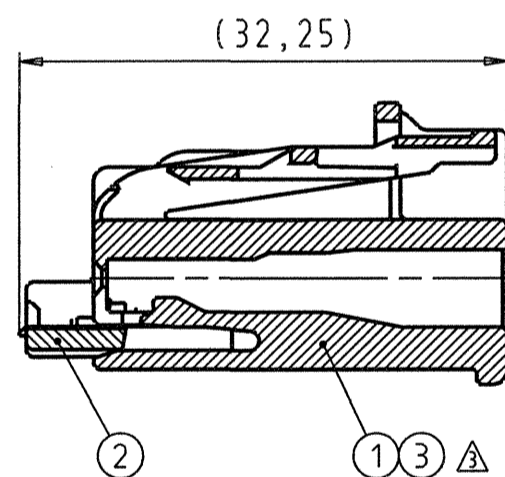
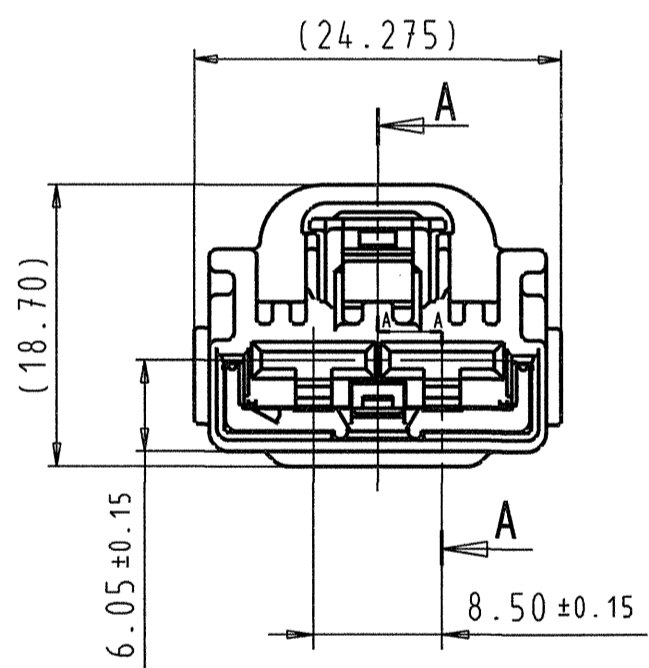


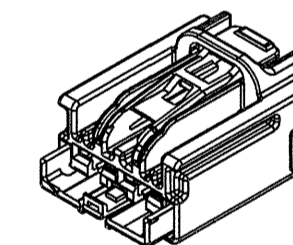
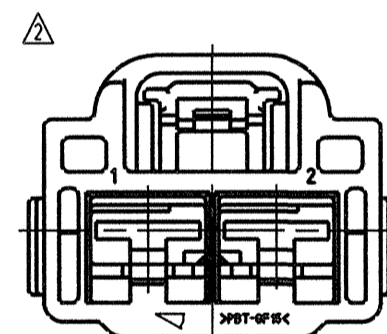
SUB ASSEMBLY PART NO.	NO.	PART NO.	PART NAME	MATERIAL	COLOR	QTY.	YAZAKI MATING PART NO.
7283-6458-40	①	7183-6458-40	YESC KAIZEN 6.3 SYSTEM CONNECTOR 2P (F) HOUSING	PBT-GF15	LIGHT GREY	1	7282-6458-40
	②	7158-5987	YESC KAIZEN 6.3 SYSTEM CONNECTOR 2P (F) FRONT HOLDER	PBT	NATURAL	1	
△ 7283-6458-30	③	7183-6458-30	YESC KAIZEN 6.3 SYSTEM CONNECTOR 2P (F) HOUSING	PBT-GF15	BLACK	1	7282-6458-30
	②	7158-5987	YESC KAIZEN 6.3 SYSTEM CONNECTOR 2P (F) FRONT HOLDER	PBT	NATURAL	1	



- △ NOTES
- MATERIAL: SEE TABLE;
 - COLOR: SEE TABLE;
 - APPLICABLE TERMINALS: 7116-4120-02, ETC;
 - MATING PRODUCT ACCORDING DRAWING: 7282-6458-40:R;
 - FOR GENERAL GEOMETRICAL TOLERANCE SEE TABLE (ECCENT= ECCENTRICITY);
 - HANDLING MANUAL: YPES-15-599;
 - THE MATERIALS USED IN THIS PRODUCT ARE IN CONFORMITY WITH REQUIREMENTS OF EU ELV 2000/53/EC DIRECTIVE AND ASSOCIATED DOCUMENTS.



SECTION A-A



ISOMETRIC VIEW
(SCALE 1:1)

ISSUE MARK

LET	DATE	REVISION RECORD	NO.	CHKD
△	03.11.2014	ADDED NEW PART NUMBER	Y14-0604	M.V.
△	16.04.2014	ADDED BACK VIEW & NOTES UPDATED	Y14-0215	D.B.
△	06.08.2002	CHANGED REVISION RECORD NUMBER	CO2-E232	M.K.
△	06.08.2002	NEW	CO2-E229	M.K.

GENERAL TOLERANCE								
	10MAX	50MAX	100MAX	250MAX	2500VR	ANGLE	ECCENT	
A	±0.15	±0.2	±0.3	±0.5	±0.75	±30'	0.1	
B	±0.2	±0.3	±0.55	±0.95	±1.4	±30'	0.1	
©	±0.3	±0.5	±0.8	±1.4	±2	±30'	0.15	
SPECIFIED							MASS	6.0 g

CUSTOMER		MATL. SPEC.	TREAT. & FIN.
CUSTOMER PART NO.	CUSTOMER DWG NO.	SEE TABLE	
OFFICE		NAME	
VENDOR		YESC KAIZEN 6.3 SYSTEM CONNECTOR	
VENDOR NO.		2P (F) SUB ASS' Y	
DWG TYPE	DWG SOURCE	DWG DATE	UNIT
R	NEW	06.08.2002	mm
APPROVED		CHECKED	DESIGN
T. SCHALLER		M. VALJAK	S. TSUCHIYAI
06.11.2014		06.11.2014	06.11.2014
PART NO.		PART NO.	
7283-6458-40, ETC.		7283-6458-40:R	
CH. CODE		SET DWG NO.	



X-ON Electronics

Largest Supplier of Electrical and Electronic Components

Click to view similar products for [Automotive Connectors](#) category:

Click to view products by [Yazaki](#) manufacturer:

Other Similar products are found below :

[003-018-000](#) [60993906-B](#) [M902-2131](#) [M902-2161](#) [M902-2344](#) [72.330.1035.1](#) [73.353.4028.0](#) [F166900](#) [F358300-B](#) [F407400](#) [776880-1](#)
[827153-1](#) [8N1515-32-24P](#) [9-1326729-8](#) [925474-1](#) [928905-1](#) [964562-4](#) [968782-1](#) [98891-1012](#) [12004475-L](#) [12020308](#) [12041318-B](#)
[12052466](#) [12064869](#) [12015909](#) [1-21030-1](#) [12041254](#) [12041318](#) [12047946-B](#) [12110546-B](#) [12131792](#) [12084688](#) [12092346](#) [HD34-18-14PT](#)
[HD46-24-23SN-059](#) [HDB36-24-16PN-059](#) [HDP26-24-9SE-L015](#) [12185280](#) [12185550](#) [12336-12](#) [12191172-B](#) [12S](#) [13545280](#) [13577943](#)
[13681974](#) [13737722-B](#) [13830674](#) [13832576](#) [13849772](#) [13542772](#)