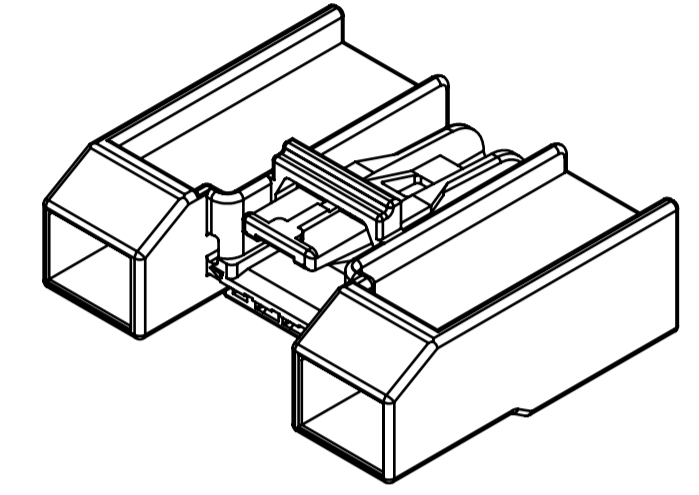
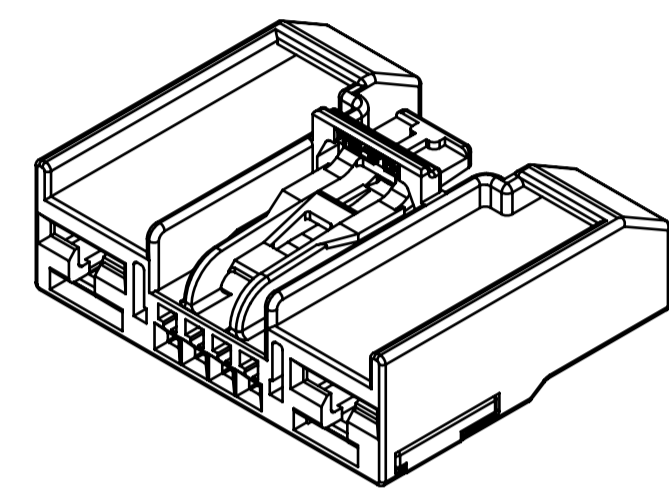
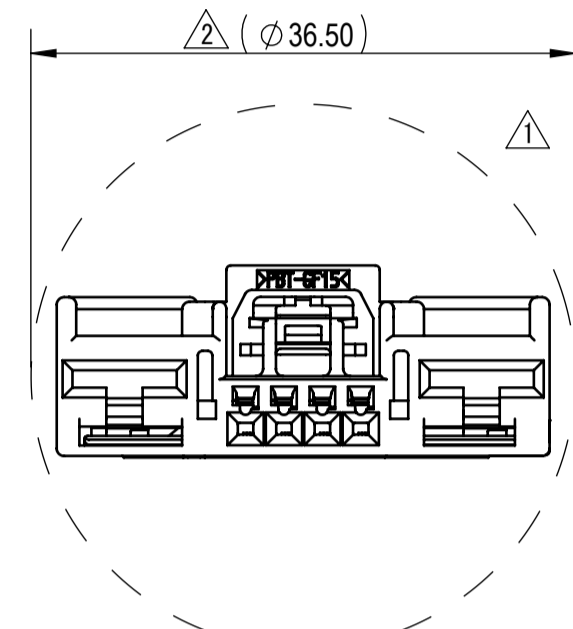
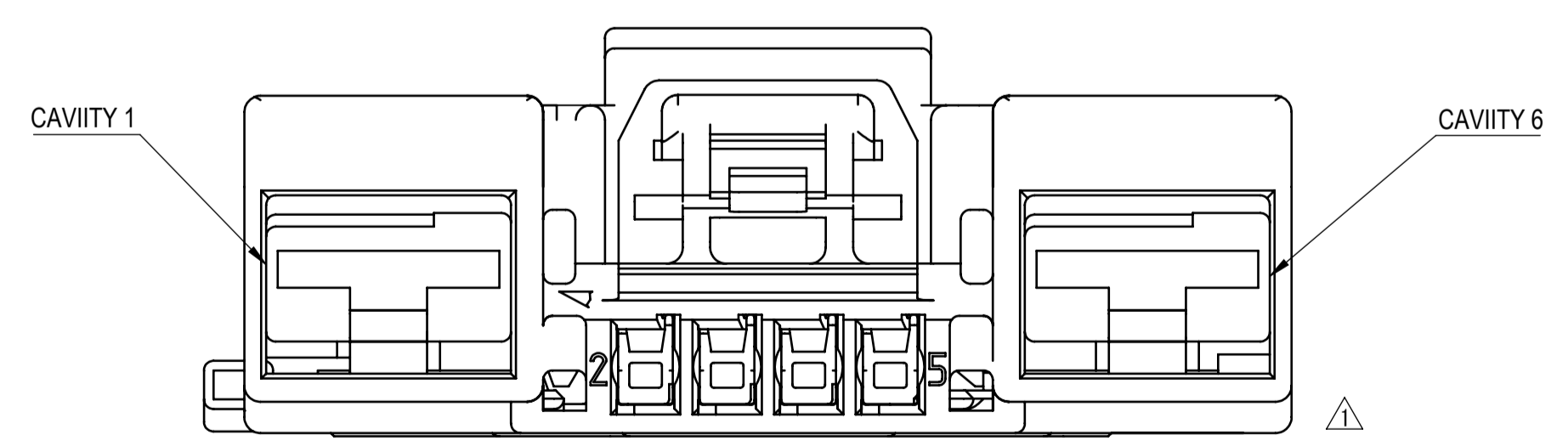


SUB-ASSEMBLY PART NUMBER	NO.	PART NUMBER	PART NAME	MATERIAL	COLOR	QUANTITY
SEE TABLE 2	①	SEE TABLE 2	6P (4P×0.64 GEN Y + 2P×6.3 YESC) UNSEALED FEMALE HOUSING	PBT-GF15	SEE TABLE 2	1
	②	7172-0737	6P (4P×0.64 GEN Y + 2P×6.3 YESC) UNSEALED FEMALE ISL	PA66-GF35	NATURAL	1
SEE TABLE 2	①	SEE TABLE 2	6P (4P×0.64 GEN Y + 2P×6.3 YESC) UNSEALED FEMALE HOUSING	PBT-GF15	SEE TABLE 2	1
	②	7172-0737	6P (4P×0.64 GEN Y + 2P×6.3 YESC) UNSEALED FEMALE ISL	PA66-GF35	NATURAL	1
	③	7172-1339-50	6P (4P×0.64 GEN Y + 2P×6.3 YESC) UNSEALED CPA	PBT-GF30	RED	1

SUB-ASSEMBLY PART NUMBER	HOUSING PART NUMBER	KEYWAY	CPA	COLOR	MASS (g)
7287-9355-30	7187-9355-30	A	N	BLACK	(4.32)
7289-7139-30	7187-9355-30	A	Y	BLACK	(4.65)
△ 7298-4407-40	7198-4407-40	B	N	LIGHT GRAY	(4.32)
△ 7298-4408-40	7198-4407-40	B	Y	LIGHT GRAY	(4.65)



- NOTES:
- PARTS MUST BE PURCHASED FROM YAZAKI.
 - PARTS MUST BE FREE OF FLASH AND IMPERFECTIONS THAT AFFECT FUNCTION.
 - APPLICABLE TERMINAL: SEE 7116-7277-02:R DRAWING (GEN Y 0.64) OR C-1924955 DRAWING (TYCO GEN Y 0.64)
MAX WIRE OD: 2.08mm (CAVITIES 2-5)
MAC WIRE OD: 4.90 (CAVITIES 1 & 6)
SEE 7116-4120-02:R DRAWING (YESC 6.3)
 - MATING PART NUMBER: SEE 7287-9355-30-A
 - PART SATISFIES GMW3191, DEC. 2007. (T2V1/S1/MF2)
 - PART TO COMPLY WITH YPES-31-038 REQUIREMENTS.
 - THIS DIMENSION SHOWS THE PRE-SET POSITION OF THE ISL.
 - THIS DIMENSION SHOWS THE PRE-SET POSITION OF THE CPA.
 - THIS DRAWING IS TO BE USED FOR INTERNAL YAZAKI PSW SUBMISSION.
 - HANDLING MANUAL NUMBER: YPES-15-1320E
 - # INDICATES THE DIMENSION IS DIVIDED EVENLY ABOUT THE CENTERLINE.



DATE	REVISION RECORD	NO.	CHKD
09-11-2019	REDRAWN TO LATEST STANDARDS. ISL SHAPE CHANGED, ADDED KEYWAY B CONFIGURATIONS & REVISED/ADDED NOTE	C19-A810	MS
05-20-2016	UPDATED NOTES & LAYOUT ADDITION OF CPA	C16-A381	DZ
08-30-2012	SHORT DESCRIPTION	C12-A764	MMR

GENERAL TOLERANCE											
	10MAX	50MAX	100MAX	250MAX	250OVR	R5 MAX	R10 MAX	R20 MAX	R20 OVR	ANGLE	ECCENT
A	±0.15	±0.20	±0.30	±0.50	±0.75					±3°	0.1
B	±0.20	±0.30	±0.55	±0.95	±1.40	±0.20	±0.30	±0.50	±2.50	±3°	0.1
©	±0.30	±0.50	±0.80	±1.40	±2.00					±3°	0.15
LET	SPECIFIED										

CUSTOMER		MATERIAL		TREAT.	
CUSTOMER PART NO.	CUSTOMER DWG NO.	SPEC.	SEE TABLE	& FIN.	N/A
OFFICE YNA		NAME		6P (4P×0.64 GEN Y+ 2P×6.3 YESC) UNSEALED	
VENDOR		TRIAL PART NO.		FEMALE CONNECTOR SUB-ASSEMBLY	
VENDOR NO.		PART NO.		7287-9355-30, ETC.	
DWG TYPE		DWG SOURCE		CH. CODE	
R	7287-9355-30:M	DWG DATE		7287-9355-30:R	
APPROVED	CHECKED	CHECKED	DESIGN	DRAWN	DWG NO.
			JONATHAN MILLER	MICHELLE SANTILLAN	7287-9355-30:R
			02-02-2012	11-10-2020	YAZAKI CORPORATION

X-ON Electronics

Largest Supplier of Electrical and Electronic Components

Click to view similar products for [Automotive Connectors](#) category:

Click to view products by [Yazaki](#) manufacturer:

Other Similar products are found below :

[003-018-000](#) [60993906-B](#) [M902-2131](#) [M902-2161](#) [M902-2344](#) [72.330.1035.1](#) [73.353.4028.0](#) [F166900](#) [F358300-B](#) [F407400](#) [776880-1](#)
[827153-1](#) [8N1515-32-24P](#) [9-1326729-8](#) [925474-1](#) [928905-1](#) [964562-4](#) [968782-1](#) [98891-1012](#) [12004475-L](#) [12020308](#) [12041318-B](#)
[12052466](#) [12064869](#) [12015909](#) [1-21030-1](#) [12041254](#) [12041318](#) [12047946-B](#) [12110546-B](#) [12131792](#) [12084688](#) [12092346](#) [HD34-18-14PT](#)
[HD46-24-23SN-059](#) [HDB36-24-16PN-059](#) [HDP26-24-9SE-L015](#) [12185280](#) [12185550](#) [12336-12](#) [12191172-B](#) [12S](#) [13545280](#) [13577943](#)
[13681974](#) [13737722-B](#) [13830674](#) [13832576](#) [13849772](#) [13542772](#)