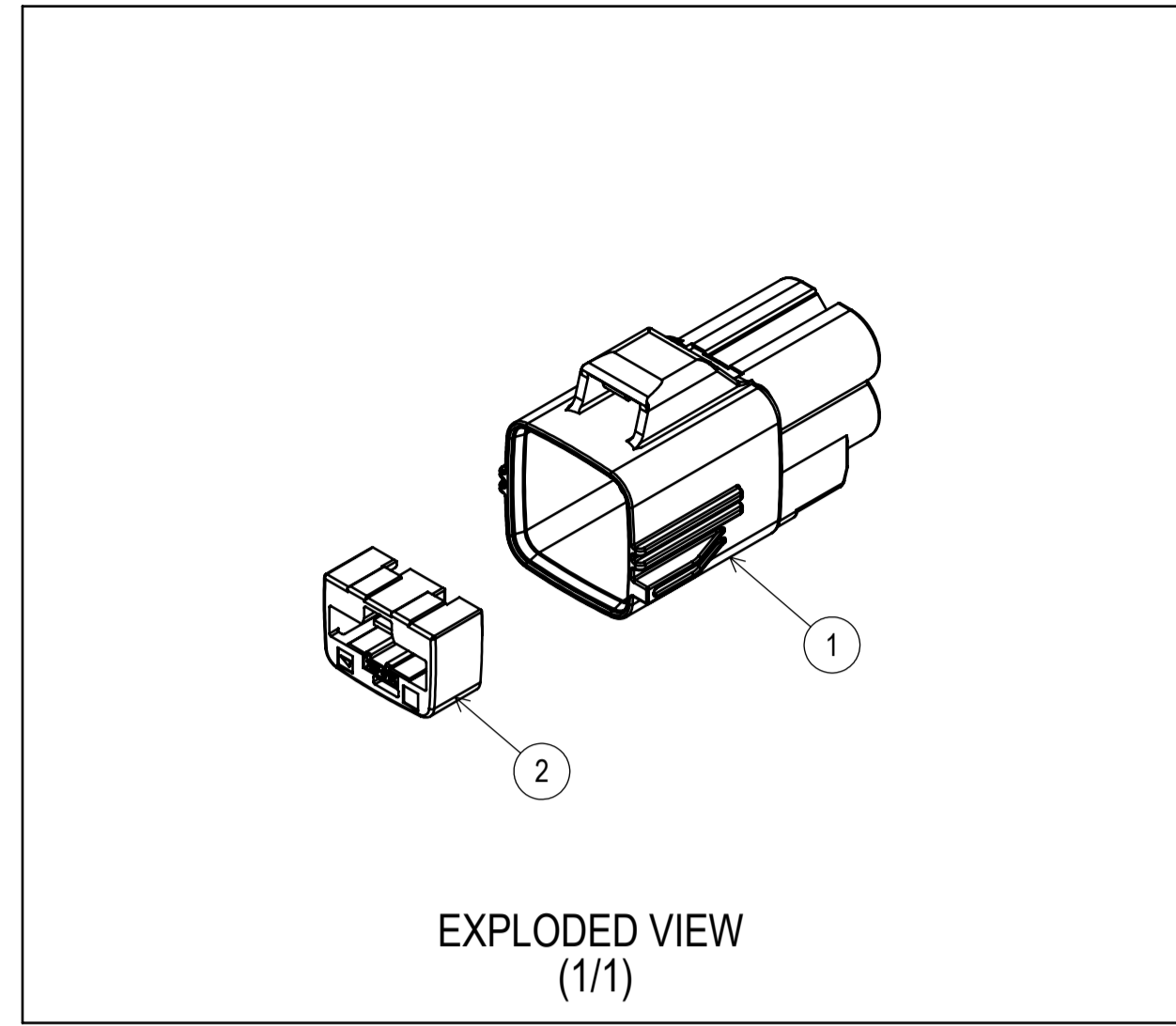
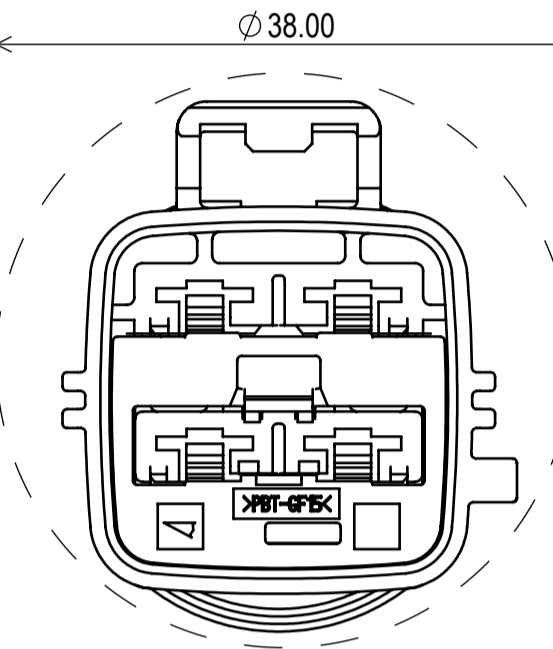


7288-3029-10
KEYWAY A

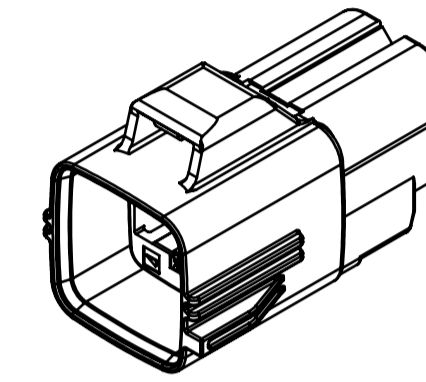
(1/1)



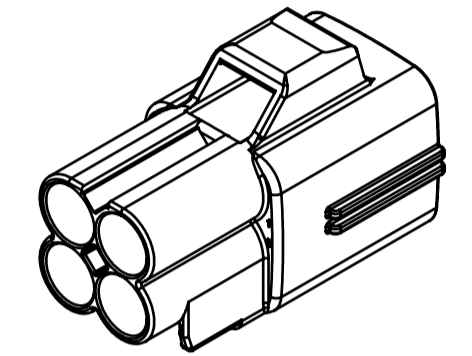
EXPLODED VIEW
(1/1)



MINIMUM PASS-THROUGH HOLE DIMENSION
(1mm CLEARANCE ALL AROUND)

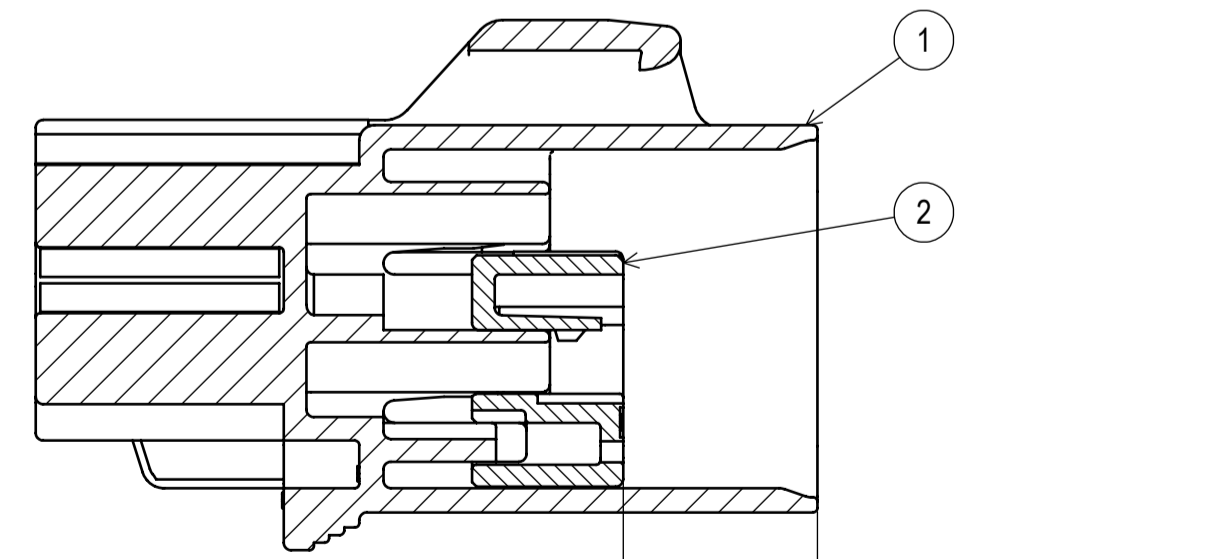
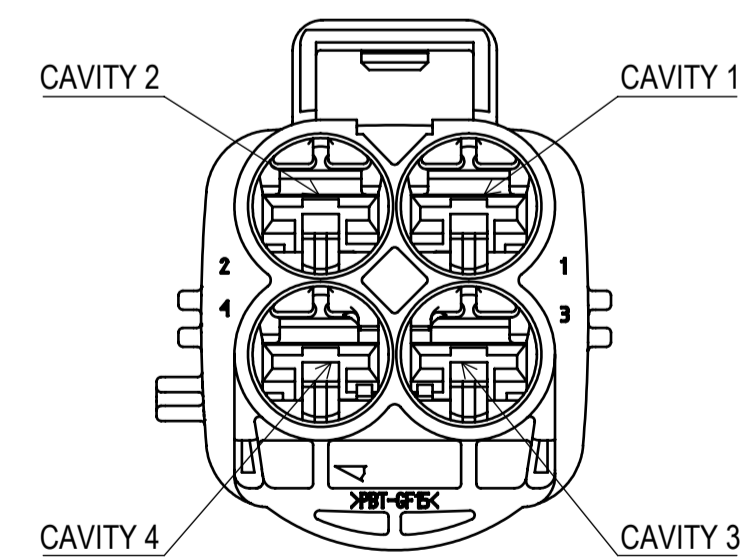
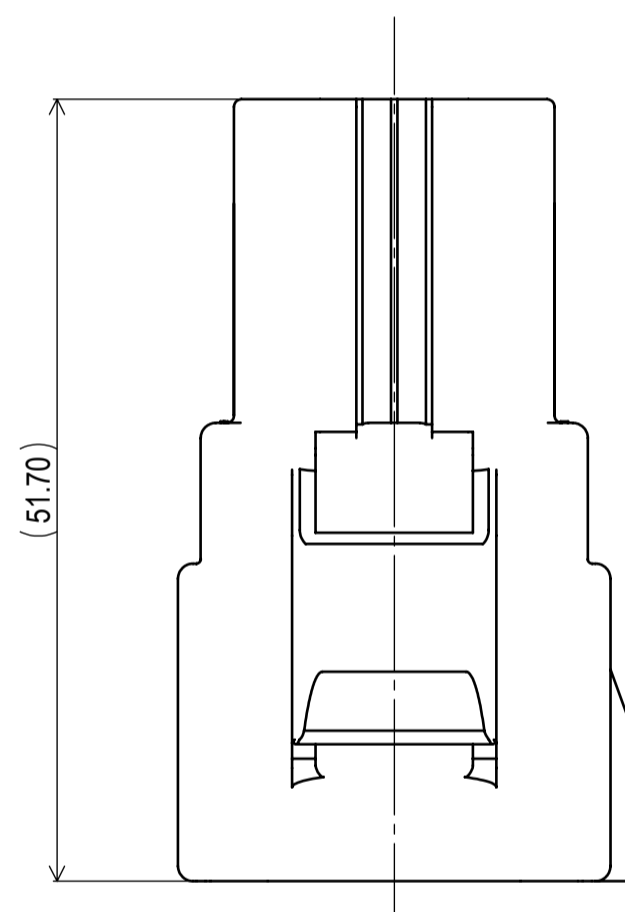


(1/1)

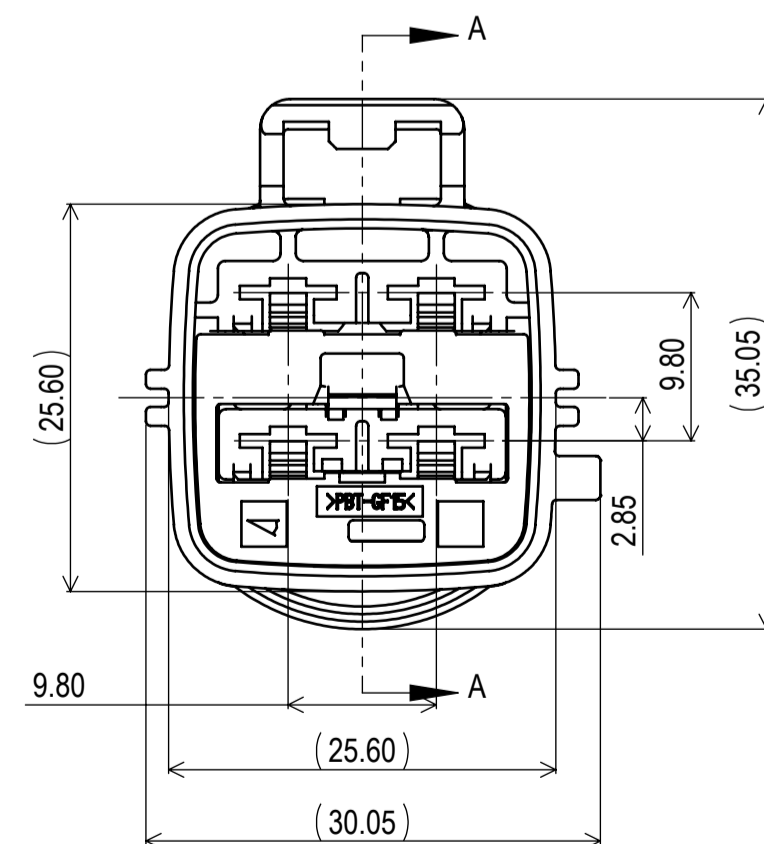


(1/1)

SUB ASSEMBLY PART NUMBER	NO.	PART NUMBER	PART NAME	MATERIAL	COLOR	QUANTITY
7288-3029-10	①	7188-3029-10	4P YESC 6.3 UNSEALED MALE CONNECTOR HOUSING	PBT-GF	DARK GRAY	1
	②	7172-0937	4P YESC 6.3 UNSEALED MALE CONNECTOR FRONT HOLDER	PBT-GF	NATURAL	1



SECTION A-A



NOTES:

- PARTS MUST BE PURCHASED FROM YAZAKI.
- PARTS MUST BE FREE OF FLASH AND IMPERFECTIONS THAT AFFECT FUNCTION.
- APPLICABLE TERMINAL: SEE 7114-4140-02:R DRAWING (YESC 6.3)
MAX WIRE OD: 4.30mm
MIN WIRE OD: 1.40mm
- APPLICABLE WIRE SEAL: SEE 7158-3081-50:R DRAWING (YESC 6.3)
- APPLICABLE CAVITY PLUG: SEE 7158-3080-60:R DRAWING (YESC 6.3)
- MATING PART NUMBER: 7283-3108-10, ETC.
- PART SATISFIES USCAR-2, REVISION 6, (FEBRUARY 2013), (T3/V2/S2/MF3)
- PART TO COMPLY WITH YPES-31-038 REQUIREMENTS.
- THIS DIMENSION SHOWS THE PRE-SET POSITION OF THE FRONT HOLDER.
- THIS DRAWING IS TO BE USED FOR INTERNAL YAZAKI PSW SUBMISSION.

LET	DATE	REVISION RECORD	NO.	CHKD
-	08-01-2016	NEW	C16-A558	H.C.

GENERAL TOLERANCE											
A	±0.15	±0.20	±0.30	±0.50	±0.75	±0.20	±0.30	±0.50	±2.50	±3°	0.1
B	±0.20	±0.30	±0.55	±0.95	±1.40	±0.20	±0.30	±0.50	±2.50	±3°	0.15
©	±0.30	±0.50	±0.80	±1.40	±2.00						
SPECIFIED										WEIGHT	(13.58) g

CUSTOMER		CUSTOMER DWG NO.		MATL SPEC.	SEE TABLE	TREAT. & FIN.	N/A
OFFICE		YNA		NAME			
VENDOR		TRIAL PART NO.		4P YESC 6.3 SEALED MALE			
VENDOR NO.				CONNECTOR SUB-ASSEMBLY			
DWG TYPE		DWG SOURCE		DWG DATE	UNIT	SCL	ANGLE
R		7288-3029-10/M/A		08/01/2016	mm	2/1	3
APPROVED		CHECKED	CHECKED	DESIGN	DRAWN		
jeremy.gagnon@yazaki.com		James.Littek@yazaki.com	Bernardo.Olivera@yazaki.com	ERIC.ZWART	HECTOR.COLMENERO		
DATE		DATE	DATE	DATE	DATE		
02-05-2014		04-07-2016	04-07-2016	08-04-2016	08-04-2016		
PART NO.		CH. CODE		DWG NO.			
7288-3029-10		7288-3029-10		7288-3029-10:R			
YAZAKI CORPORATION							

ISSUE MARK

X-ON Electronics

Largest Supplier of Electrical and Electronic Components

Click to view similar products for [Automotive Connectors](#) category:

Click to view products by [Yazaki](#) manufacturer:

Other Similar products are found below :

[003-018-000](#) [60993906-B](#) [M902-2131](#) [M902-2161](#) [M902-2344](#) [72.330.1035.1](#) [73.353.4028.0](#) [F166900](#) [F358300-B](#) [F407400](#) [776880-1](#)
[827153-1](#) [8N1515-32-24P](#) [9-1326729-8](#) [925474-1](#) [928905-1](#) [964562-4](#) [968782-1](#) [98891-1012](#) [12004475-L](#) [12020308](#) [12041318-B](#)
[12052466](#) [12064869](#) [12015909](#) [1-21030-1](#) [12041254](#) [12041318](#) [12047946-B](#) [12110546-B](#) [12131792](#) [12084688](#) [12092346](#) [HD34-18-14PT](#)
[HD46-24-23SN-059](#) [HDB36-24-16PN-059](#) [HDP26-24-9SE-L015](#) [12185280](#) [12185550](#) [12336-12](#) [12191172-B](#) [12S](#) [13545280](#) [13577943](#)
[13681974](#) [13737722-B](#) [13830674](#) [13832576](#) [13849772](#) [13542772](#)