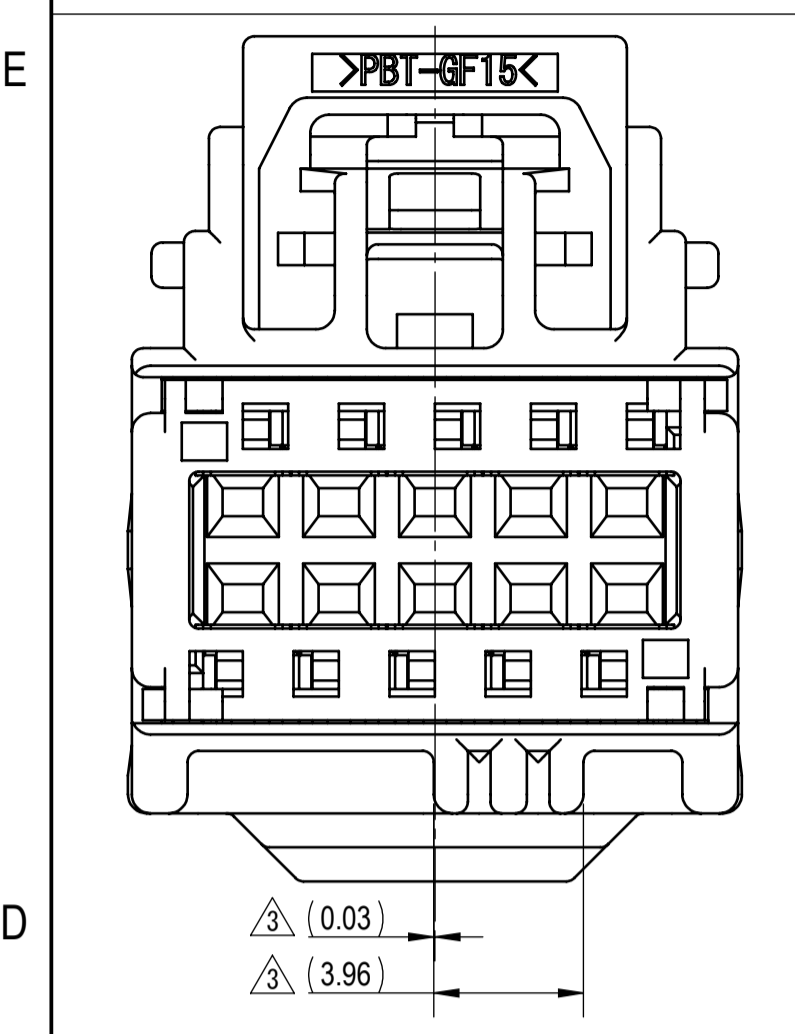


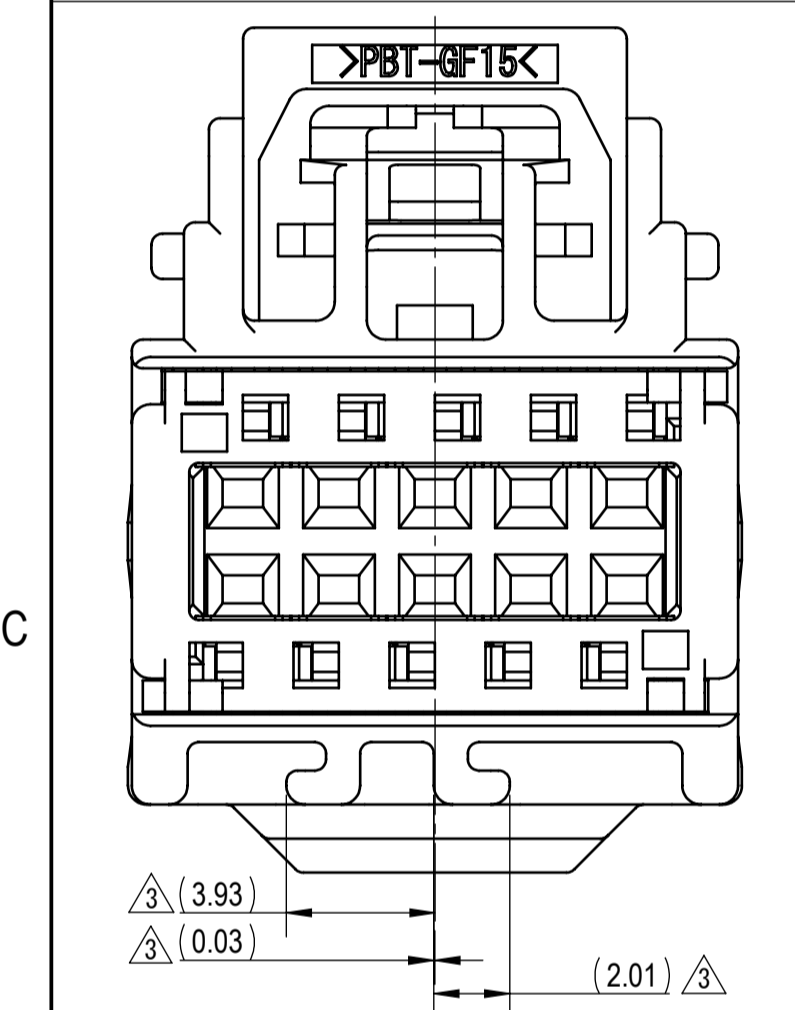
GENERAL TOLERANCE											
	10MAX	50MAX	100MAX	250MAX	250OVR	R5 MAX	R10 MAX	R20 MAX	R20 OVR	ANGLE	ECCENT
A	±0.15	±0.2	±0.3	±0.5	±0.75					±3°	0.1
B	±0.2	±0.3	±0.55	±0.95	±1.4	±0.2	±0.3	±0.5	±2.5	±3°	0.1
(C)	±0.3	±0.5	±0.8	±1.4	±2					±3°	0.15
SPECIFIED											MASS
SEE TABLE 2											

SUB ASSEMBLY PART NUMBER		NO.	PART NUMBER	PART NAME	MATERIAL	COLOR	QUANTITY
SEE TABLE 2		①	SEE TABLE 2	10P YESC KAIZEN 0.64 UNSEALED FEMALE HOUSING	PBT-GF15	SEE TABLE 2	1
SEE TABLE 2		②	7158-6582	10P YESC KAIZEN 0.64 UNSEALED FEMALE TPA	PBT-GF15	NATURAL	1
SEE TABLE 2		③	7172-1081-50	YESC KAIZEN 0.64 UNSEALED CPA	NYLON	RED	1

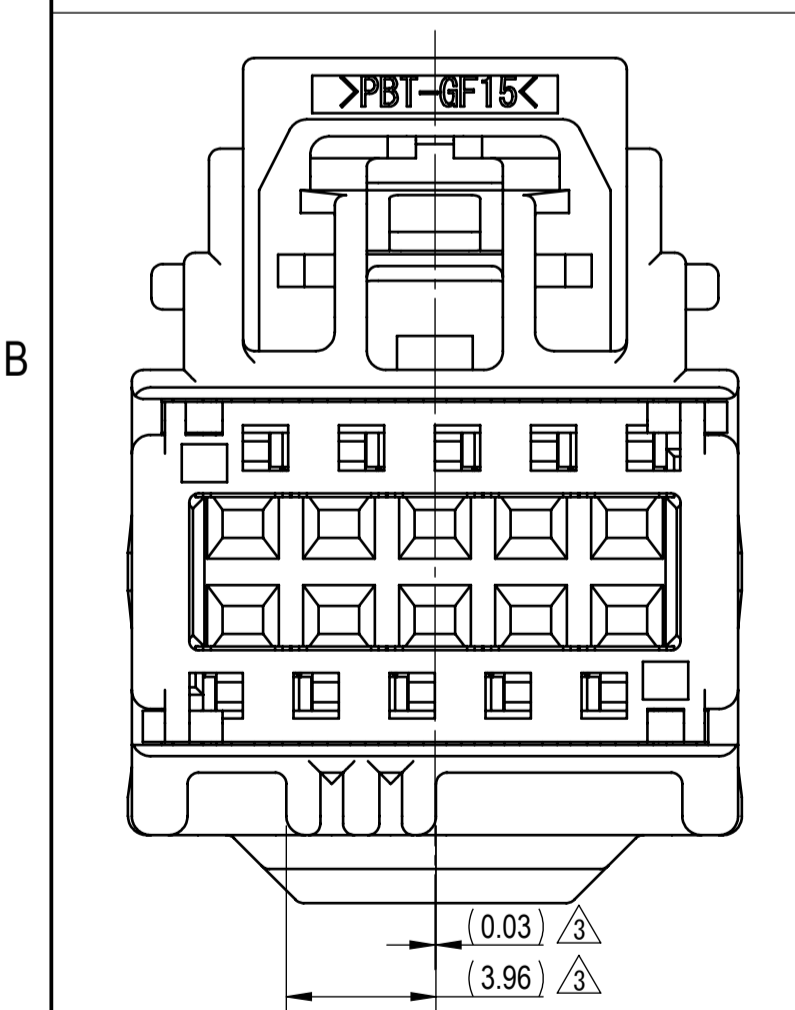
SUB ASSEMBLY PART NUMBER	HOUSING PART NUMBER	KEYWAY	CPA	COLOR	WEIGHT (g)	YAZAKI INLINE MATING PART NUMBER
7283-9040-30	7183-9034-30	A	NO	BLACK	(4.05)	7282-9040-30
7283-9043-60	7183-9037-60	D	NO	GREEN	(4.05)	N/A
7283-9045	7183-9039	F	NO	NATURAL	(4.05)	N/A
7289-4886-30	7183-9034-30	A	YES	BLACK	(4.37)	7282-9040-30
7289-5068-60	7183-9037-60	D	YES	GREEN	(4.37)	N/A
7289-4885	7183-9039	F	YES	NATURAL	(4.37)	N/A



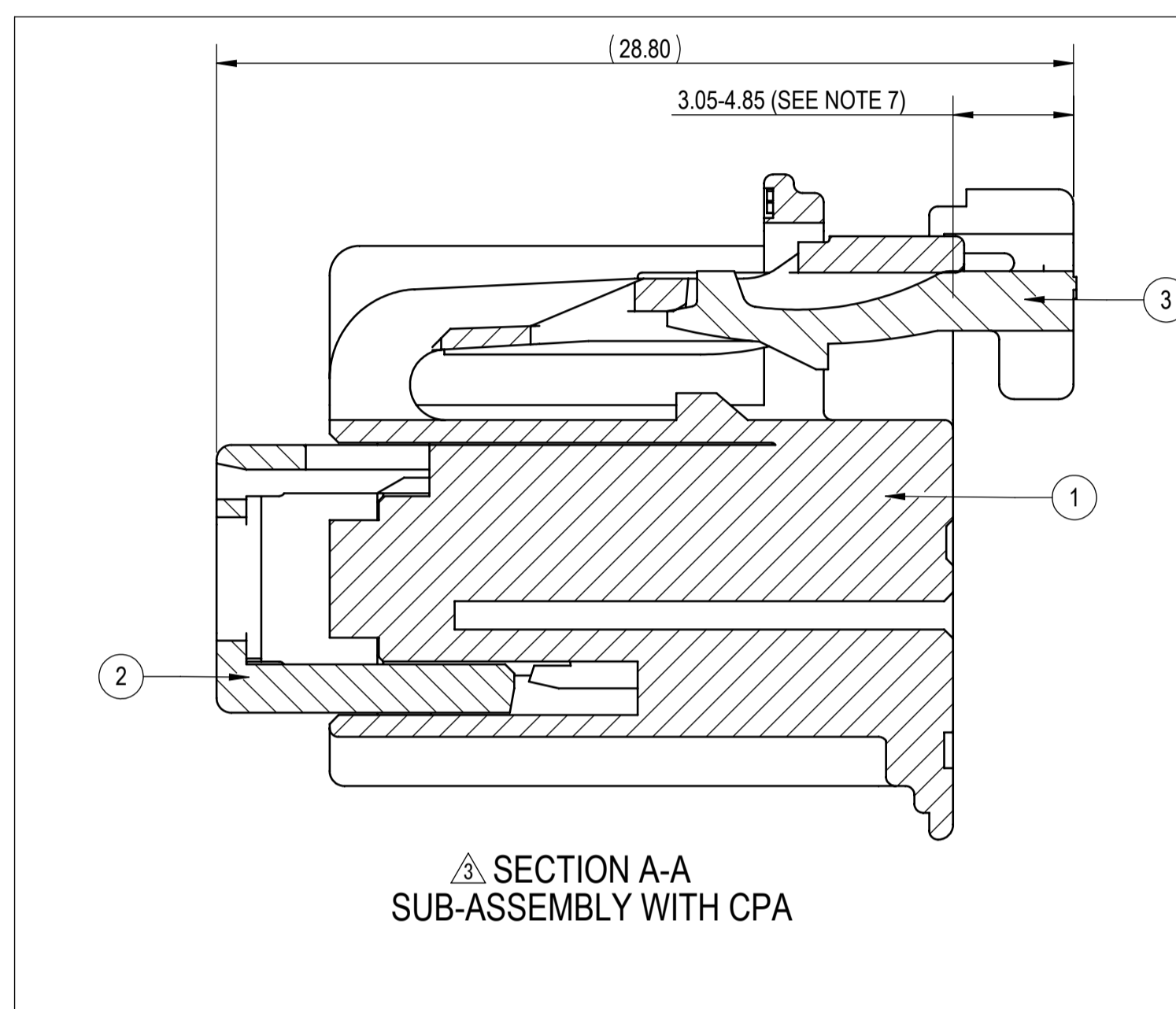
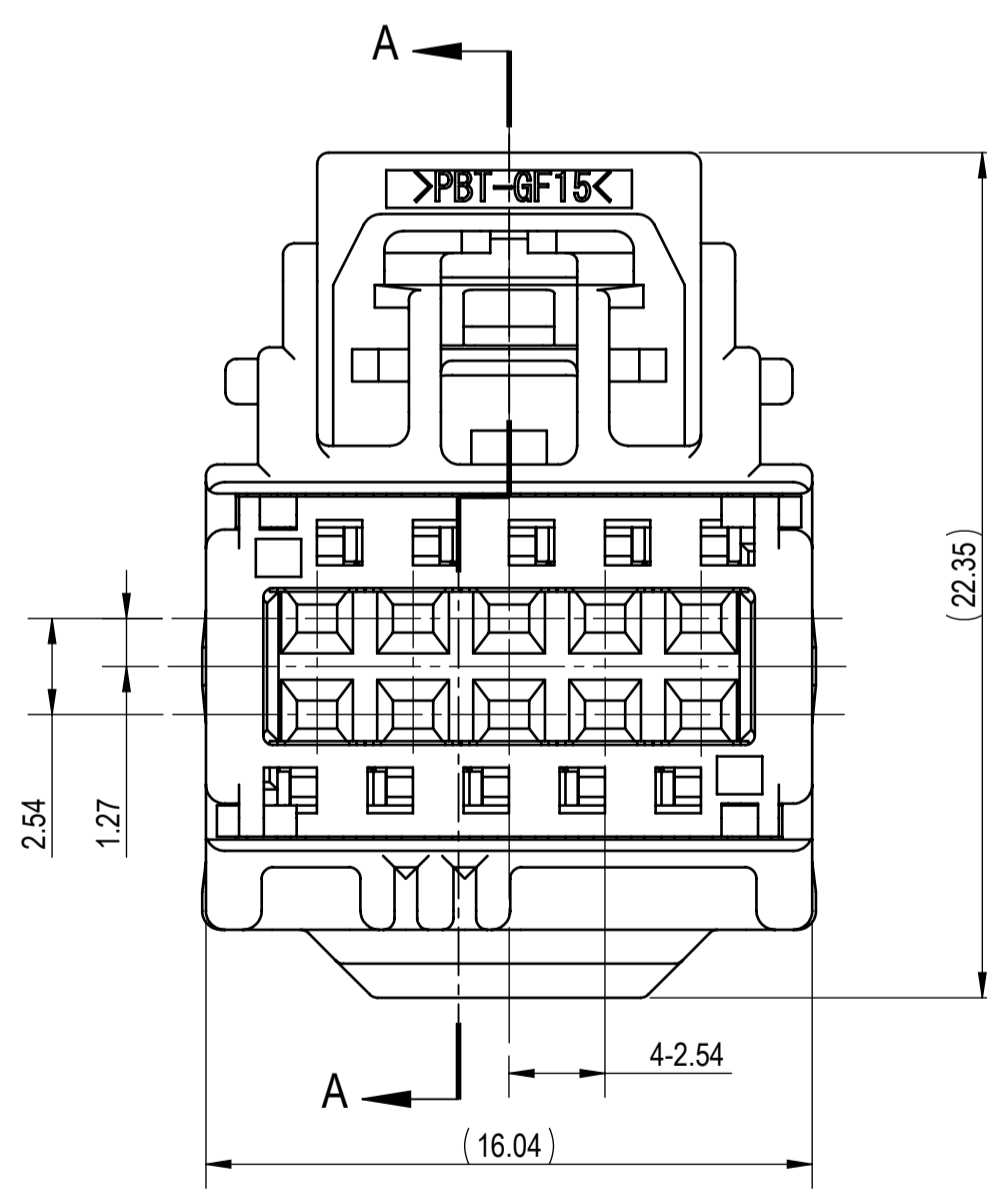
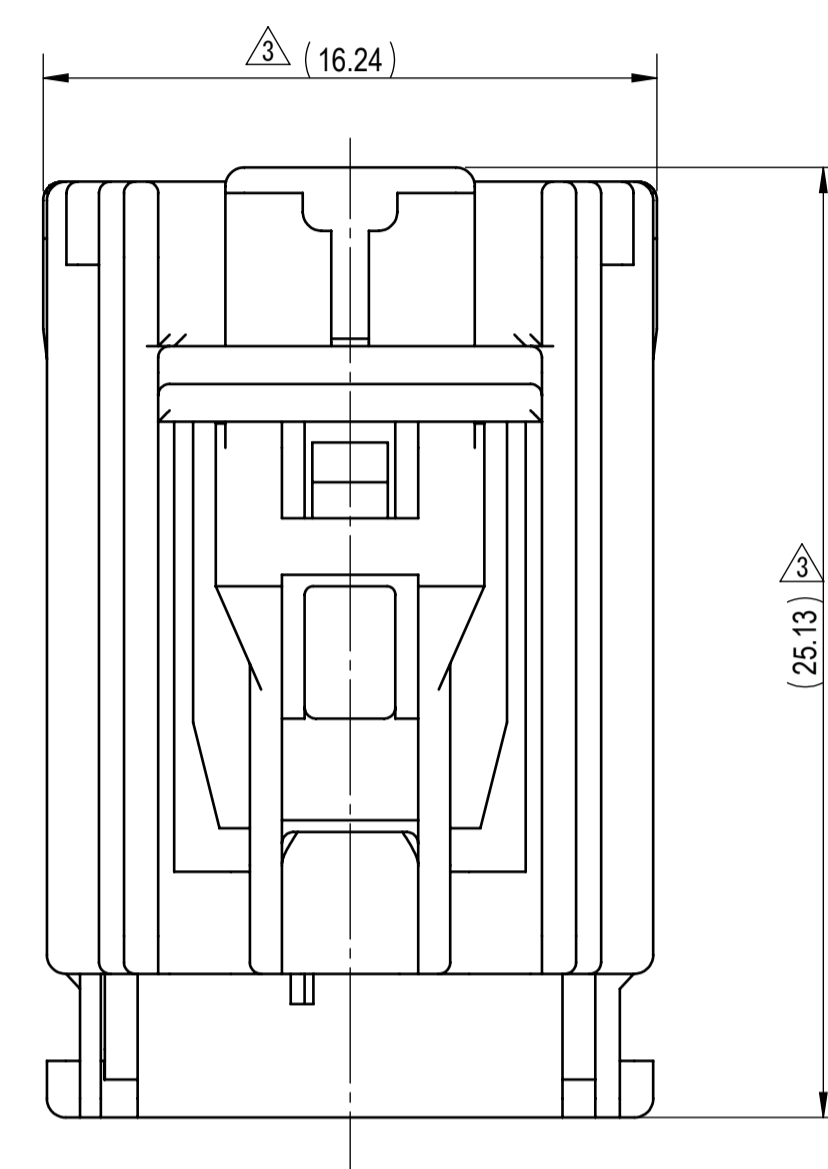
7283-9040-30, 7289-4886-30 (OPTION A) LIGHT GRAY



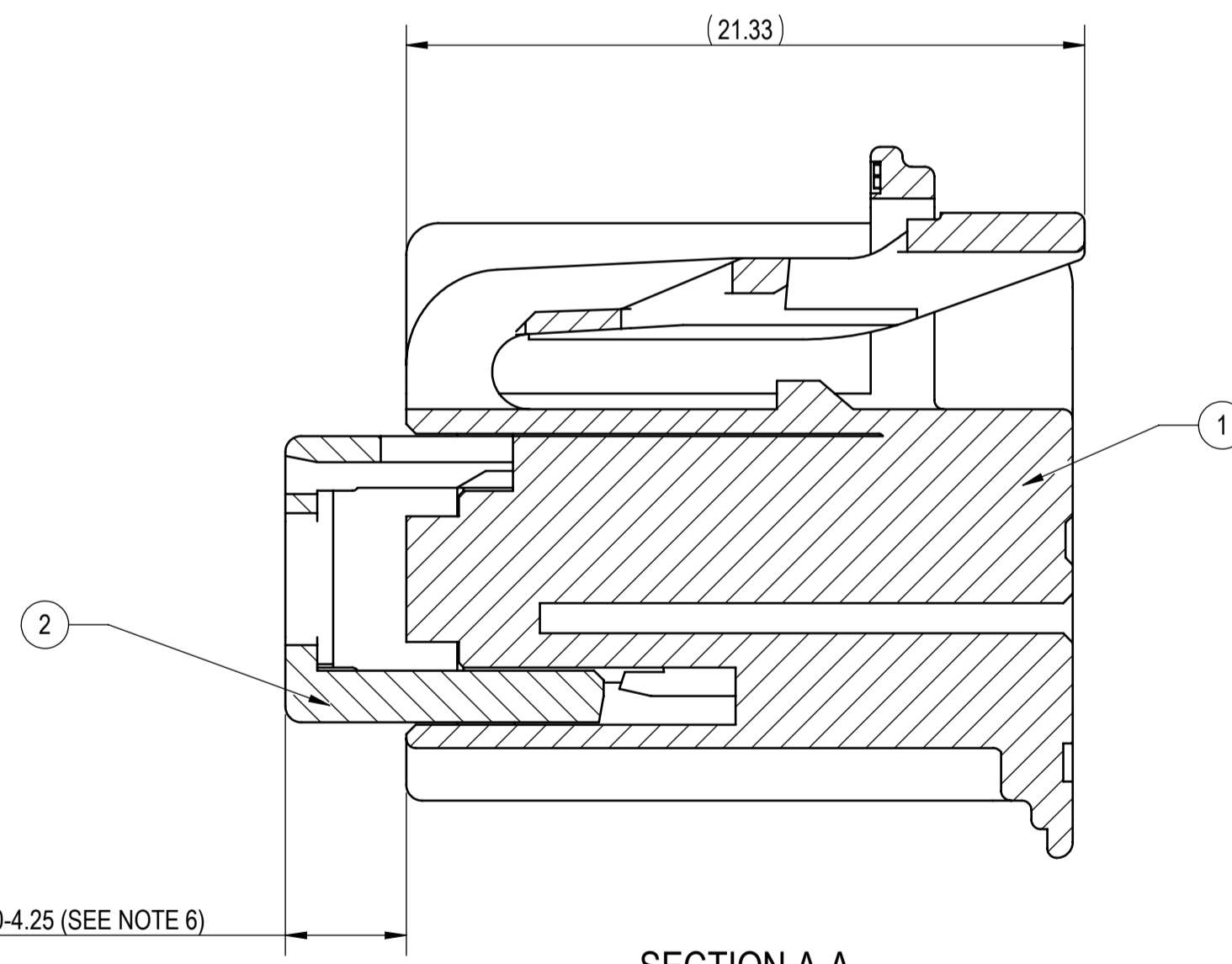
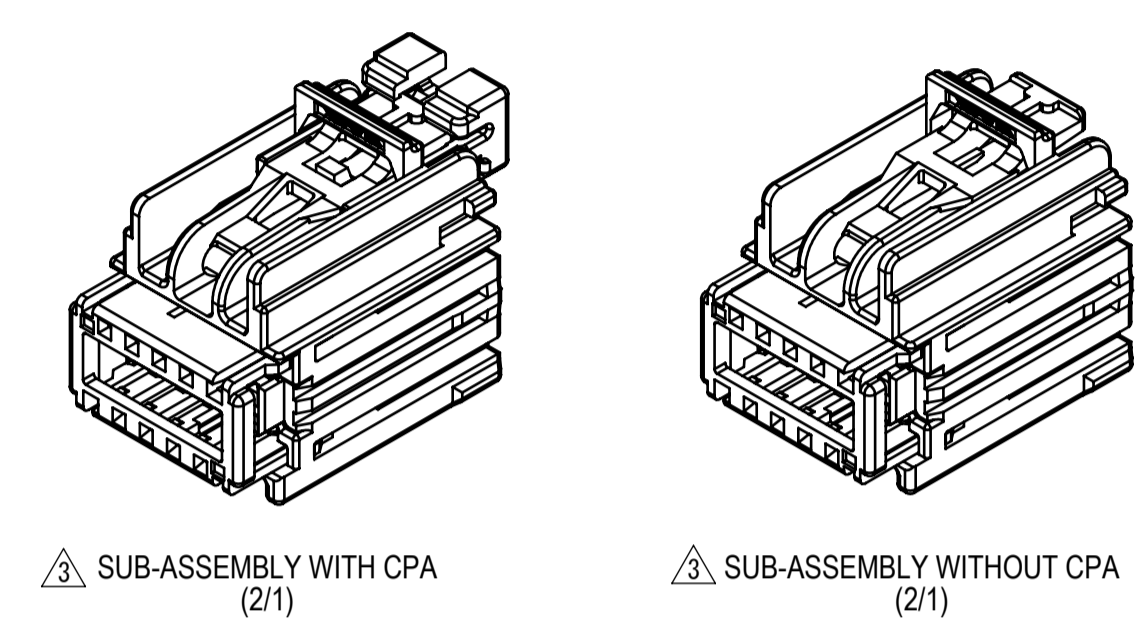
7283-9043-60, 7289-5068-60 (OPTION D) GREEN



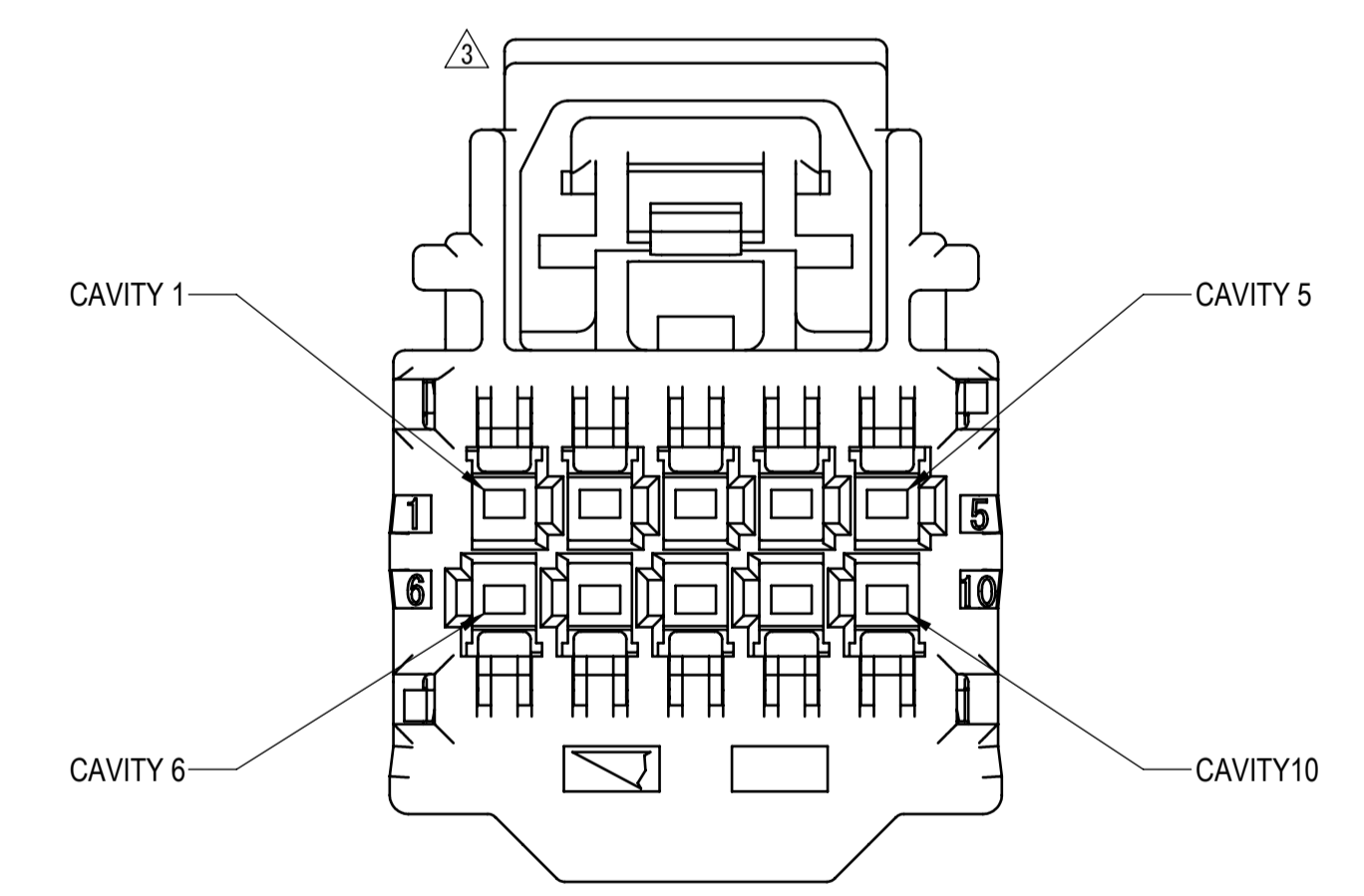
7283-9045, 7289-4885 (OPTION F) NATURAL



SECTION A-A SUB-ASSEMBLY WITH CPA



SECTION A-A SUB-ASSEMBLY WITHOUT CPA



- NOTES:
- PARTS MUST BE PURCHASED FROM YAZAKI.
 - PARTS MUST BE FREE OF FLASH AND IMPERFECTIONS THAT AFFECT FUNCTION.
 - APPLICABLE TERMINAL NUMBER: SEE 7116-4618-02:R
 - PART DESIGNED TO SATISFY USCAR-2 REV. 3, DATED APRIL 2001, TEMPERATURE CLASS 2 WITH THE FOLLOWING EXCEPTIONS:
A. 5.4.2 LOCK DEFLECTION FORCE
 - PART DESIGNED TO MEET USCAR INTERFACE: 064-U-010-2-Z02
 - THIS DIMENSION SHOWS THE PRE-SET POSITION OF THE TPA.
 - THIS DIMENSION SHOWS THE PRE-SET POSITION OF THE CPA.
 - PART TO COMPLY WITH YPES-31-038 REQUIREMENTS.
 - THIS DRAWING IS TO BE USED FOR INTERNAL YAZAKI PSW SUBMISSION.

LET	DATE	REVISION RECORD	NO.	CHKD
△	11/03/15	CHANGED FORM, TABLE, ADDED DIMENSIONS & CPA	C15-A867	K.S.
△	10/15/10	CHANGED PART NAME	C10-ZA71	R.E.
△	06/22/06	CHANGED FORM & ETC. [A]	C06-A671	T.Y.
△	12/22/03	NEW	C03-R529	T.M.

CUSTOMER		CUSTOMER DWG NO.		MTRL SPEC.		TREAT. & FIN.	
CUSTOMER PART NO.		CUSTOMER DWG NO.		SEE TABLE		SEE TABLE	
OFFICE YNA		TRIAL PART NO.		NAME 10P KAIZEN 0.64 UNSEALED FEMALE			
VENDOR				SUB-ASSEMBLY			
VENDOR NO.							
DWG TYPE	DWG SOURCE	DWG DATE	UNIT	SCL	ANGLE	PART NO.	CH. CODE
R	7283-9040-30.M/△	12/22/03	mm	5:1	3	7283-9040-30 ETC.	
APPROVED	CHECKED	CHECKED	DESIGN	DRAWN		DWG NO.	SET DWG NO.
			T. MIYAKAWA	KIRK STAMBAUGH		7283-9040-30:R	
YAZAKI CORPORATION							

X-ON Electronics

Largest Supplier of Electrical and Electronic Components

Click to view similar products for [Automotive Connectors](#) category:

Click to view products by [Yazaki](#) manufacturer:

Other Similar products are found below :

[003-018-000](#) [60993906-B](#) [M902-2131](#) [M902-2161](#) [M902-2344](#) [72.330.1035.1](#) [73.353.4028.0](#) [F166900](#) [F358300-B](#) [F407400](#) [776880-1](#)
[827153-1](#) [8N1515-32-24P](#) [9-1326729-8](#) [925474-1](#) [928905-1](#) [964562-4](#) [968782-1](#) [98891-1012](#) [12004475-L](#) [12020308](#) [12041318-B](#)
[12052466](#) [12064869](#) [12015909](#) [1-21030-1](#) [12041254](#) [12041318](#) [12047946-B](#) [12110546-B](#) [12131792](#) [12084688](#) [12092346](#) [HD34-18-14PT](#)
[HD46-24-23SN-059](#) [HDB36-24-16PN-059](#) [HDP26-24-9SE-L015](#) [12185280](#) [12185550](#) [12336-12](#) [12191172-B](#) [12S](#) [13545280](#) [13577943](#)
[13681974](#) [13737722-B](#) [13830674](#) [13832576](#) [13849772](#) [13542772](#)