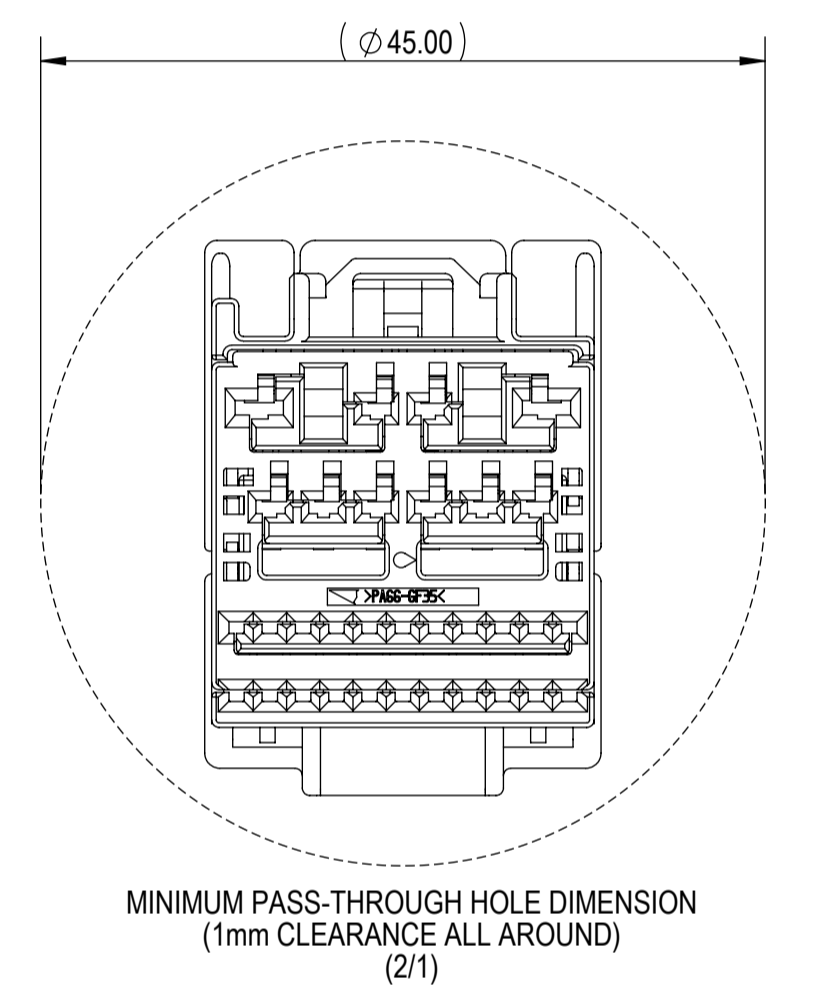
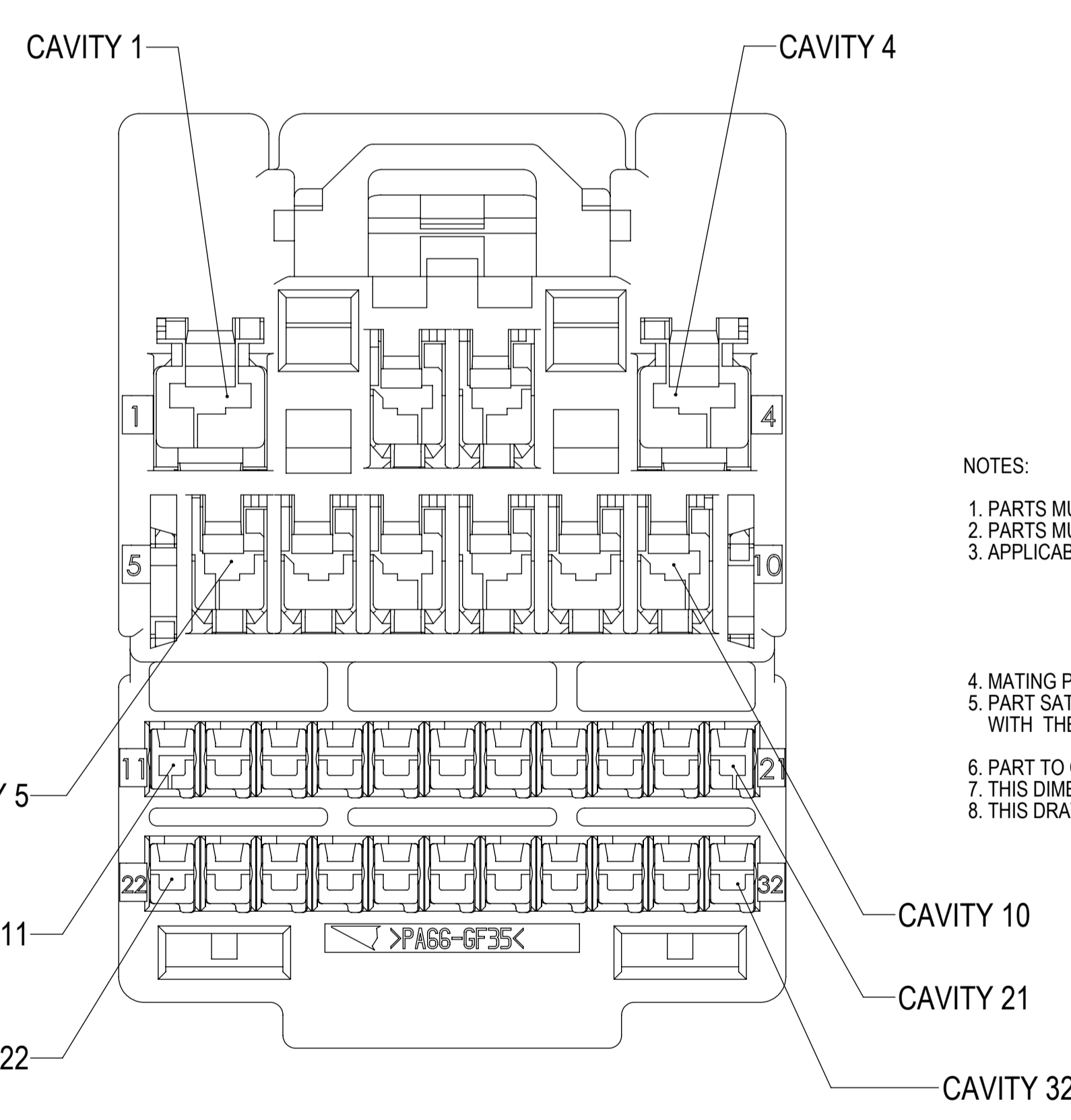
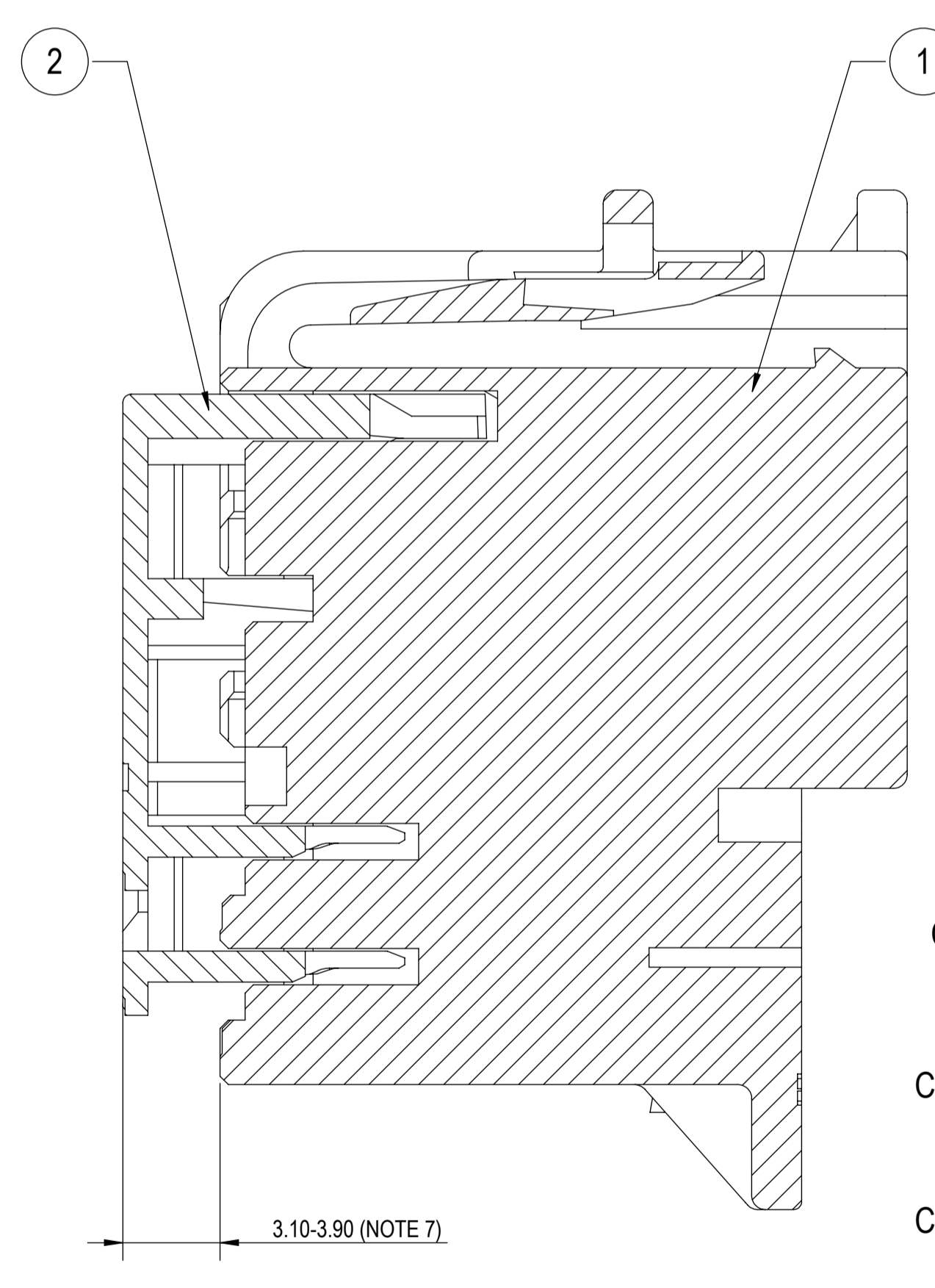
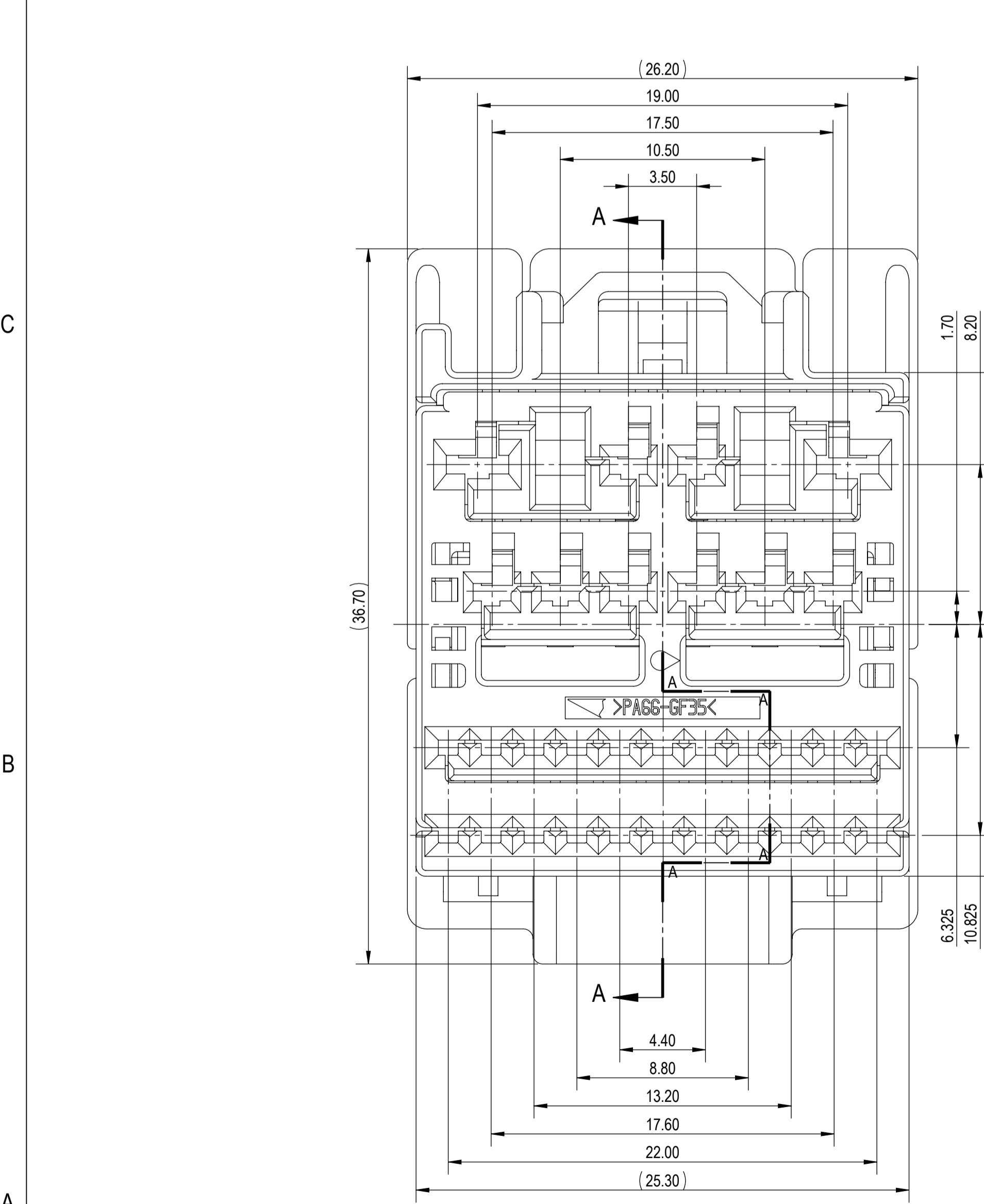
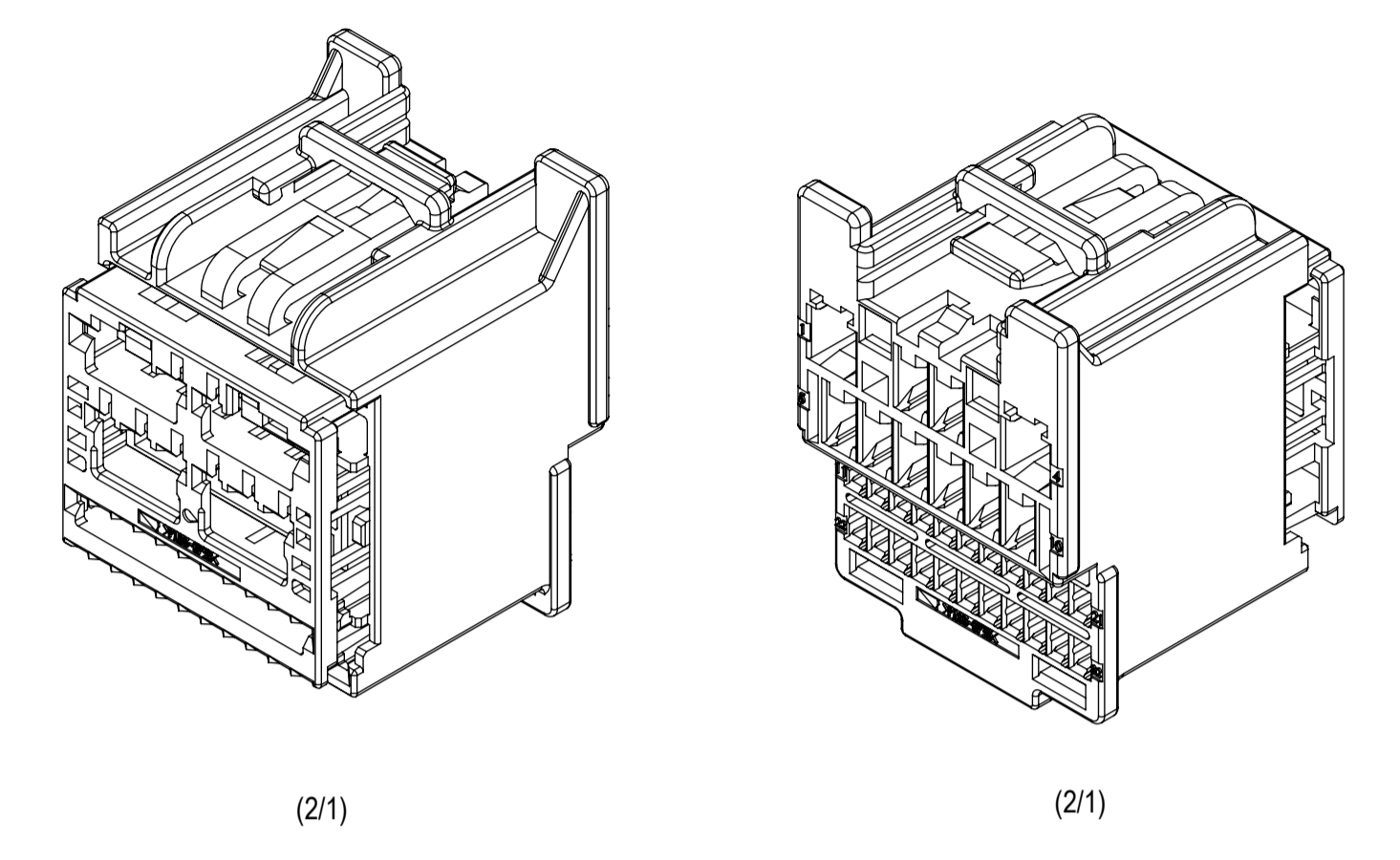


TABLE 1		SUB-ASSEMBLY PART NUMBER	NO.	PART NUMBER	PART NAME	MATERIAL	COLOR	QUANTITY
		SEE TABLE 2	①	SEE TABLE 2	32P (2P 2.8, 8P 1.5, 22P 0.64) UNSEALED FEMALE HOUSING	PA-GF	SEE TABLE 2	1
		SEE TABLE 2	②	7172-1134	32P (2P 2.8, 8P 1.5, 22P 0.64) UNSEALED FEMALE TPA	PA-GF	NATURAL	1

TABLE 2		SUB-ASSEMBLY PART NUMBER	HOUSING PART NUMBER	KEYWAY	COLOR	WEIGHT (g)	YAZAKI MATING PART NUMBER
		7289-5519-30	7189-5519-30	A	BLACK	(11.89)	7288-5518-30, 7288-7659-30
		7289-5520-40	7189-5520-40	B	LIGHT GRAY	(11.89)	7288-5518-30



- NOTES:
- PARTS MUST BE PURCHASED FROM YAZAKI
  - PARTS MUST BE FREE OF FLASH AND IMPERFECTIONS THAT AFFECT FUNCTION
  - APPLICABLE TERMINAL: SEE 1456841-1, ETC. (TYCO GEN Y 0.64)  
 MAX WIRE OD: 1.60mm  
 SEE 7116-6317-02-R (YESC III 1.5 UNSEALED)  
 MAX WIRE OD: 2.8mm  
 SEE 7116-4110-02-R (YESC 2.8 UNSEALED)  
 MAX WIRE OD: 3.70mm
  - MATING PART NUMBER: SEE TABLE 2
  - PART SATISFIES USCAR-2 REVISION 6 DATED FEBRUARY 2013 (TC2/VC1/SC1/MF3) WITH THE FOLLOWING EXCEPTION:  
 SECTION 5.4.2 FORCE TO SERVICE LOCK
  - PART TO COMPLY WITH YPES-31-038 REQUIREMENTS
  - THIS DIMENSION SHOWS THE PRE-SET POSITION OF THE FRONT HOLDER
  - THIS DRAWING IS TO BE USED FOR INTERNAL YAZAKI PSW SUBMISSION

LET	DATE	REVISION RECORD	NO.	CHKD
-	06.27.2016	NEW	C16-A474	IL

GENERAL TOLERANCE							
	10MAX	50MAX	100MAX	250MAX	250OVR	ANGLE	ECCENT
A	+0.15	±0.2	±0.3	±0.5	±0.75	±30'	0.1
B	+0.2	±0.3	±0.55	±0.95	±1.4	±30'	0.1
Ⓢ	+0.3	±0.5	±0.8	±1.4	±2	±30'	0.15

CUSTOMER		MTRL SPEC.		TREAT. & FIN.	
CUSTOMER PART NO.	CUSTOMER DWG NO.	SEE TABLE	SEE TABLE	N/A	N/A
OFFICE	YNA	NAME	32P (2P 2.8 YESC, 8P 1.5 YESC, 22P 0.64 GEN Y)		
VENDOR	VENDOR NO.	UNSEALED FEMALE CONNECTOR SUB-ASSEMBLY			
DWG TYPE	DWG SOURCE	DWG DATE	UNIT	SCL	ANGLE
R	7289-5519-30/M/△	06.27.2016	mm	5/1	3
APPROVED	CHECKED	CHECKED	DESIGN	DRAWN	
SPECIFIED			C. STOCK		
MASS			02.24.2015		

YAZAKI CORPORATION

## X-ON Electronics

Largest Supplier of Electrical and Electronic Components

*Click to view similar products for [Automotive Connectors](#) category:*

*Click to view products by [Yazaki](#) manufacturer:*

Other Similar products are found below :

[003-018-000](#) [60993906-B](#) [M902-2131](#) [M902-2161](#) [M902-2344](#) [72.330.1035.1](#) [73.353.4028.0](#) [F166900](#) [F358300-B](#) [F407400](#) [776880-1](#)  
[827153-1](#) [8N1515-32-24P](#) [9-1326729-8](#) [925474-1](#) [928905-1](#) [964562-4](#) [968782-1](#) [98891-1012](#) [12004475-L](#) [12020308](#) [12041318-B](#)  
[12052466](#) [12064869](#) [12015909](#) [1-21030-1](#) [12041254](#) [12041318](#) [12047946-B](#) [12110546-B](#) [12131792](#) [12084688](#) [12092346](#) [HD34-18-14PT](#)  
[HD46-24-23SN-059](#) [HDB36-24-16PN-059](#) [HDP26-24-9SE-L015](#) [12185280](#) [12185550](#) [12336-12](#) [12191172-B](#) [12S](#) [13545280](#) [13577943](#)  
[13681974](#) [13737722-B](#) [13830674](#) [13832576](#) [13849772](#) [13542772](#)