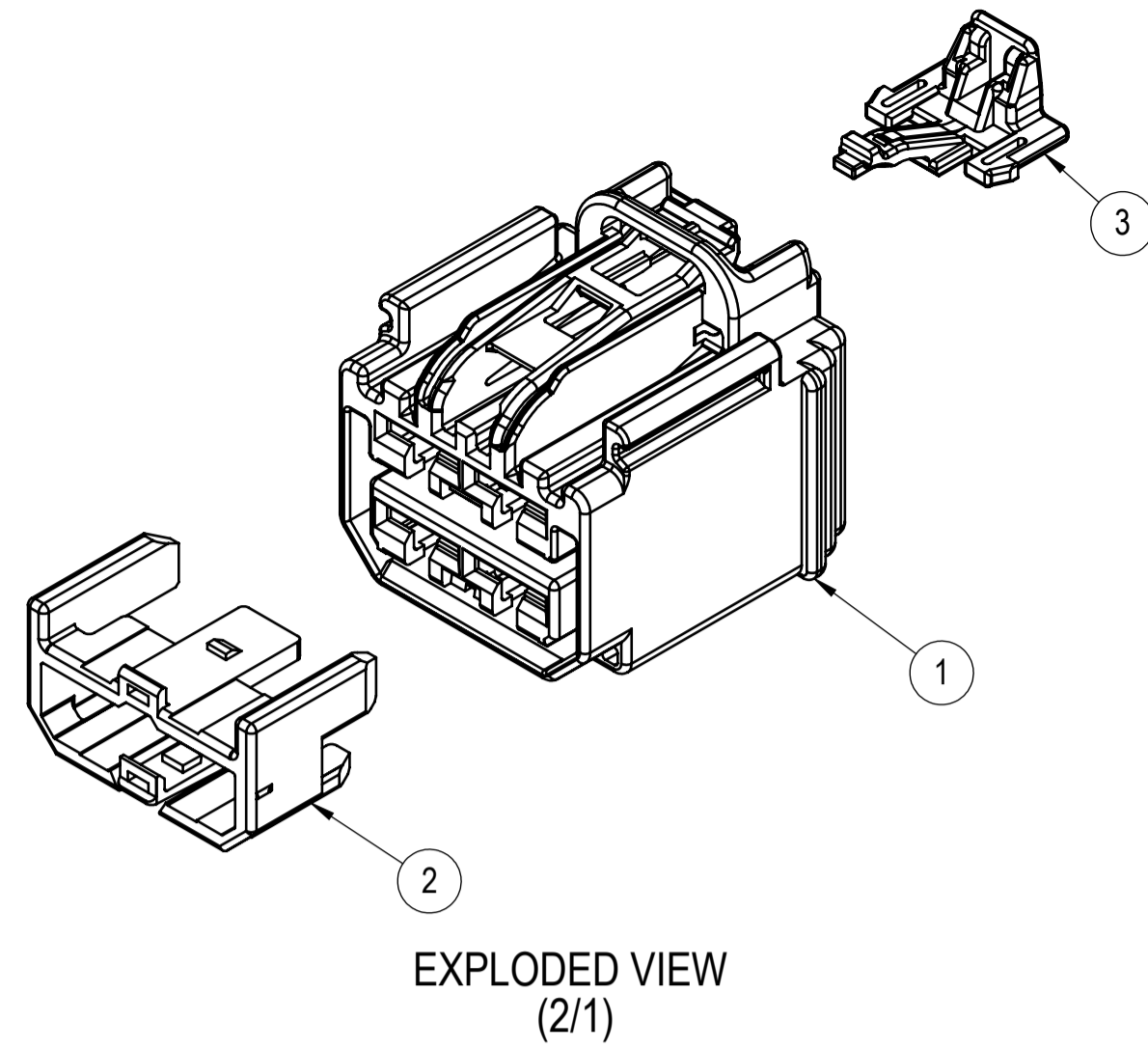


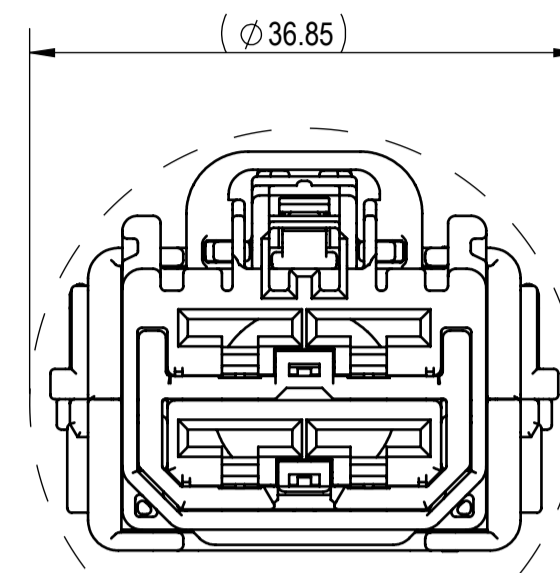
7289-7459-40
KEYWAY A

(2/1)

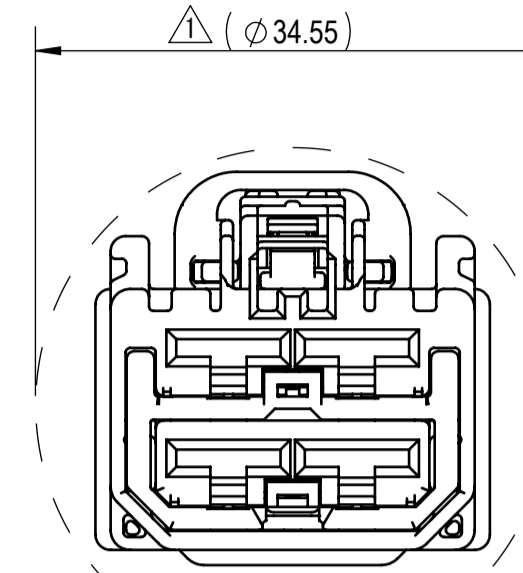


EXPLODED VIEW
(2/1)

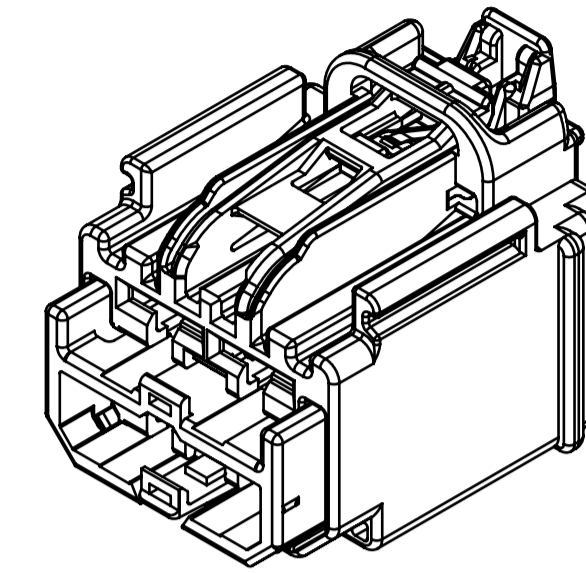
SUB-ASSEMBLY PART NUMBER	NO.	PART NUMBER	PART NAME	MATERIAL	COLOR	QUANTITY
7289-7459-40	①	7189-7459-40	4P 6.3mm YESC KAIZEN UNSEALED FEMALE CONNECTOR HOUSING	PBT-GF15	LIGHT GRAY	1
	②	7158-4229	4P 6.3mm YESC KAIZEN UNSEALED FEMALE CONNECTOR TPA	PBT	NATURAL	1
	③	7172-1375-50	YESC KAIZEN LARGE LOCK CPA	PBT-GF15	RED	1



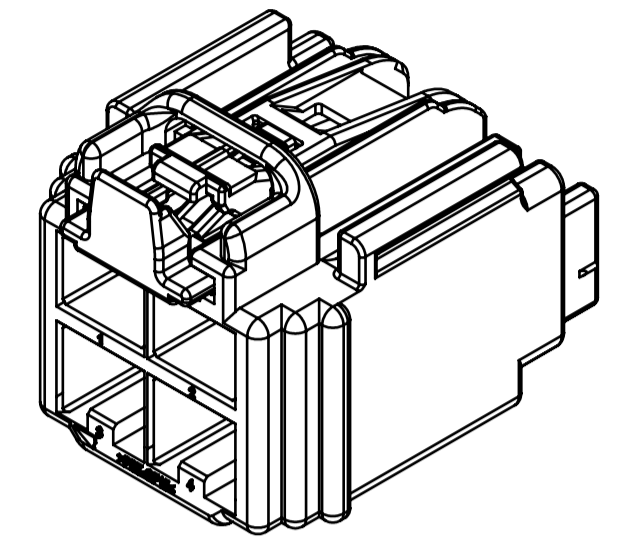
△ RECOMMENDED PASS-THROUGH HOLE DIMENSION WITH 7174-2215-30 AND 7174-2216-30 (1mm CLEARANCE ALL AROUND)
(2/1)



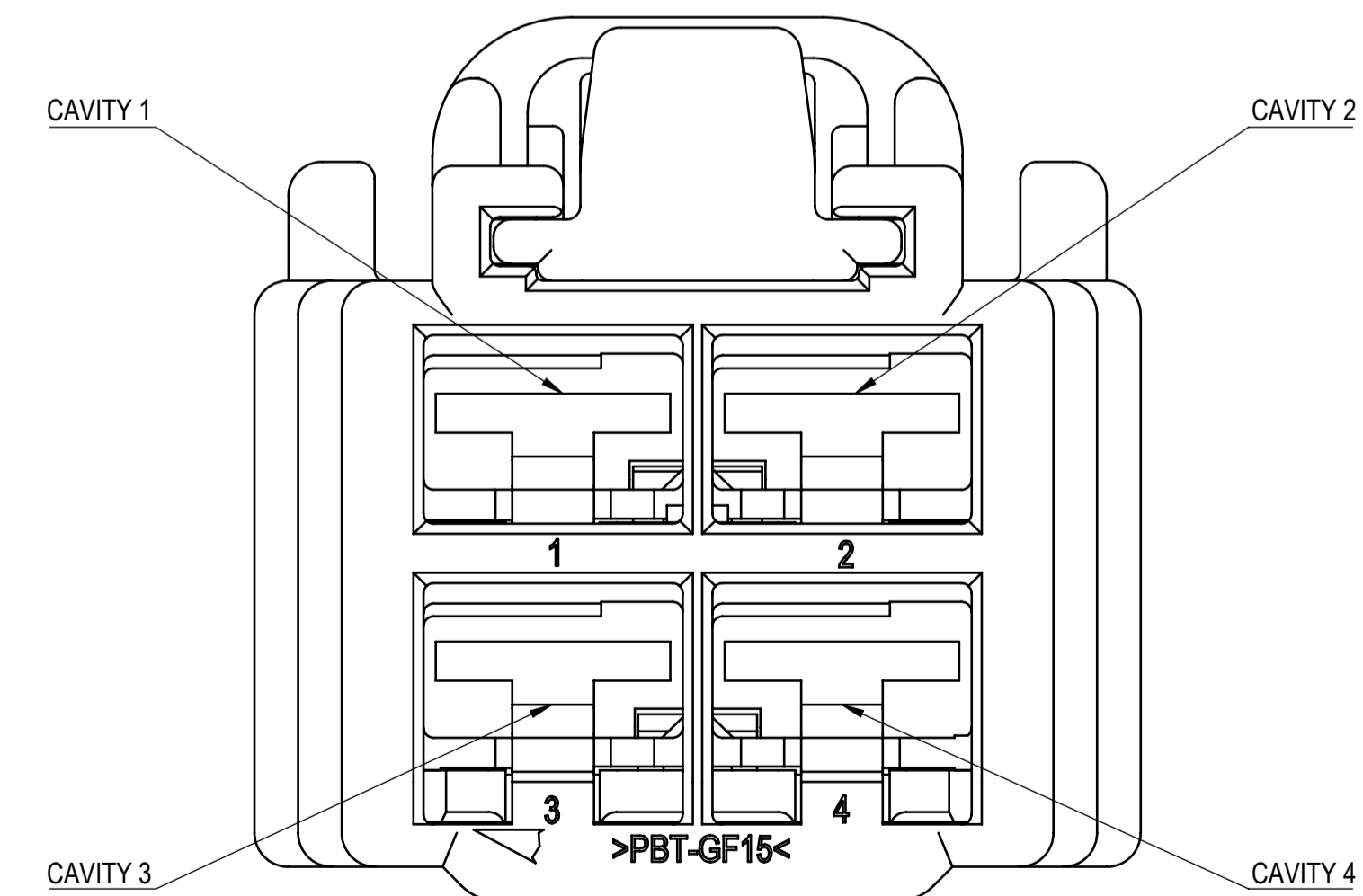
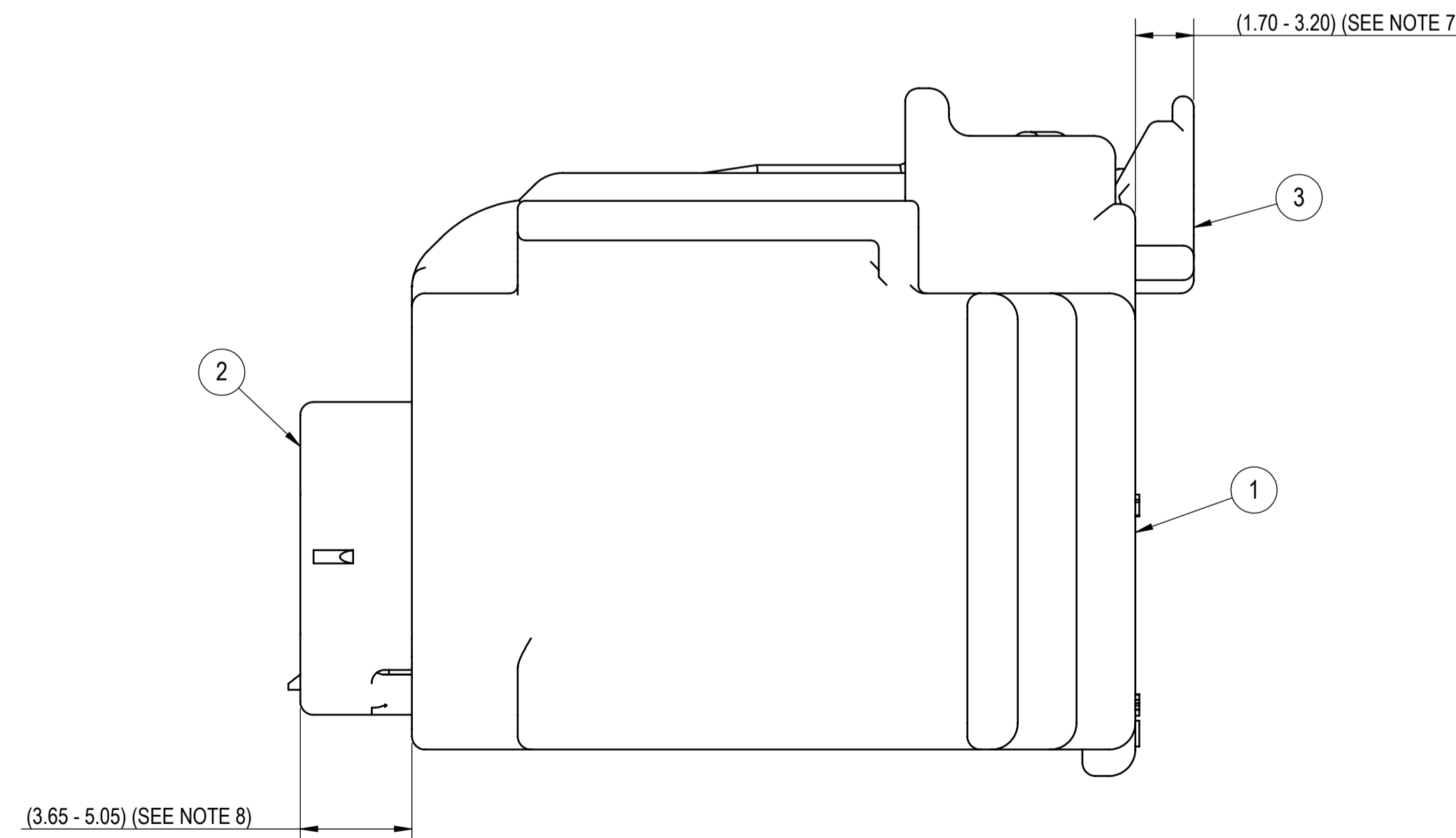
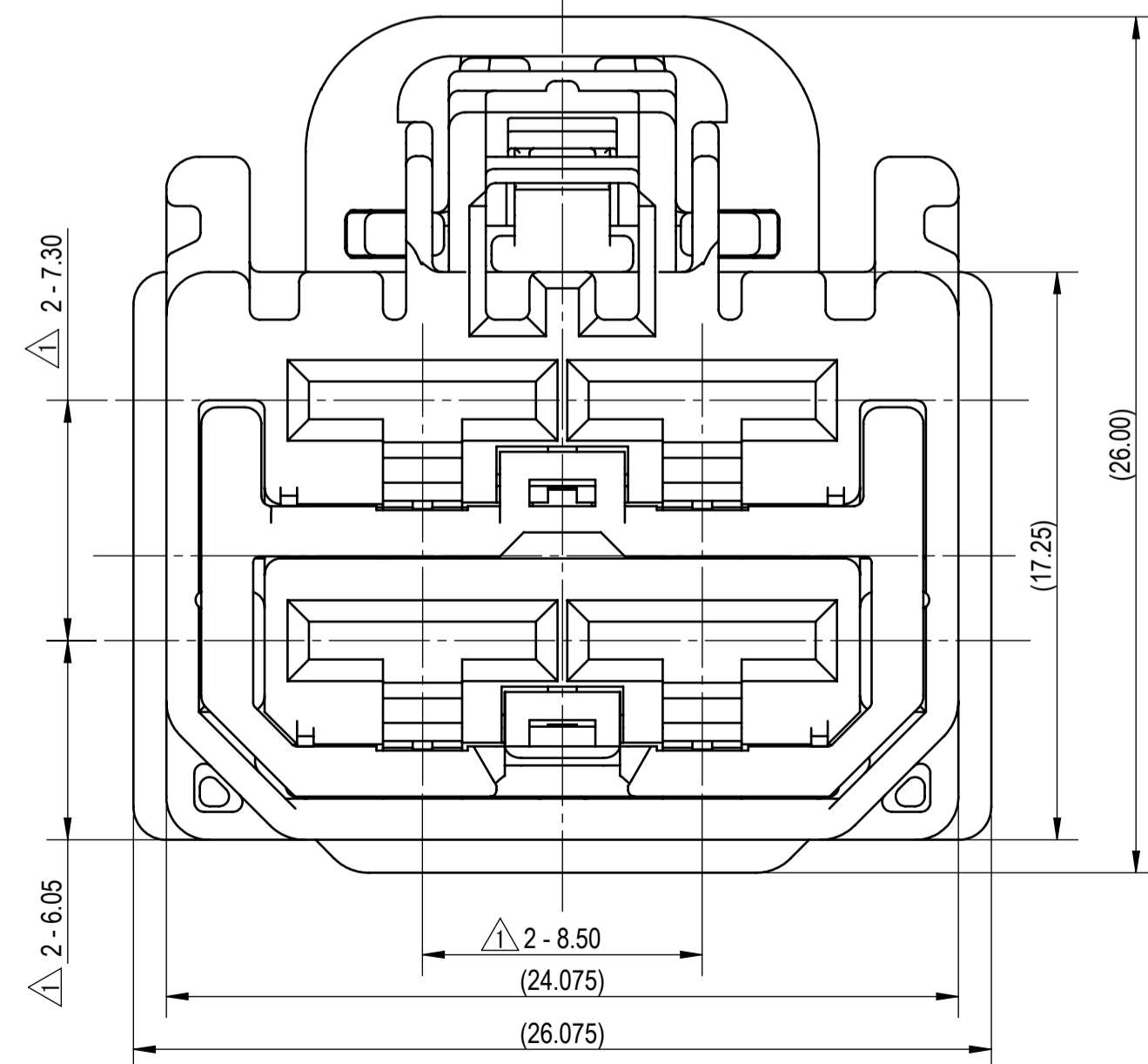
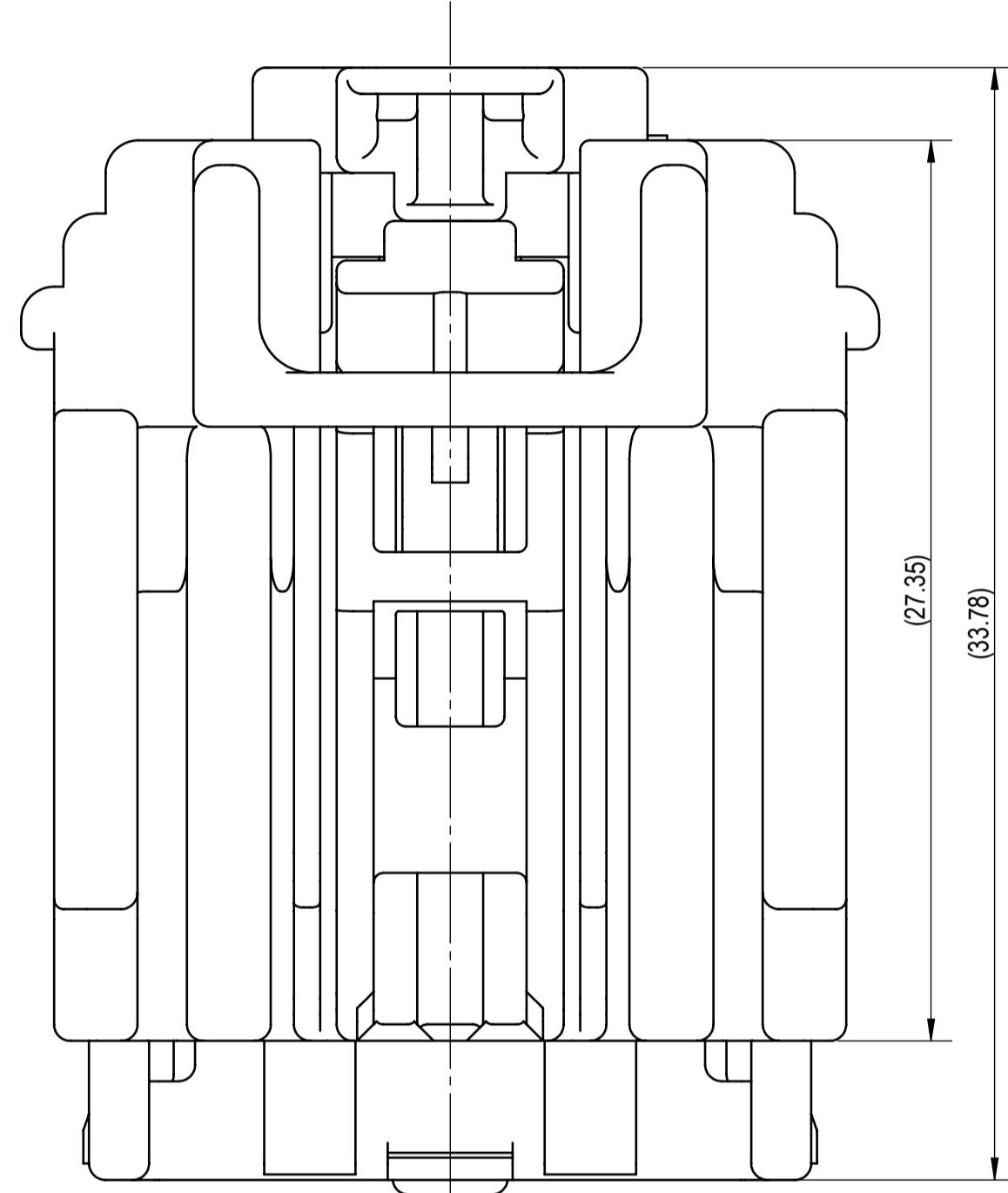
△ RECOMMENDED PASS-THROUGH HOLE DIMENSION (1mm CLEARANCE ALL AROUND)
(2/1)



FRONT ISOMETRIC VIEW
(2/1)



REAR ISOMETRIC VIEW
(2/1)



NOTES:

- PARTS MUST BE PURCHASED FROM YAZAKI.
- PARTS MUST BE FREE OF FLASH AND IMPERFECTIONS THAT AFFECT FUNCTION.
- APPLICABLE TERMINAL: SEE DRAWING 7116-4120-02-R (6.3 YESC UNSEALED)
MAX WIRE OD: 4.20mm
- MATING PART NUMBER: 7282-6469-40
- PART SATISFIES -GMW 3191 DATE JUNE 2012 (T2N1/S1/MF3)
PF 90012, REV.B, DATE APRIL 2017 (T2N1/S1/MF3)
- PART TO COMPLY WITH YPES-31-038 REQUIREMENTS.
- THIS DIMENSION SHOWS THE PRE-SET POSITION OF THE CPA.
- THIS DIMENSION SHOWS THE PRE-SET POSITION OF THE TPA.
- THIS DRAWING IS TO BE USED FOR INTERNAL YAZAKI PSW SUBMISSION.
- HANDLING MANUAL NUMBER: YPES-15-599E
- APPLICABLE WIRE COVER PART NUMBER: 7174-2216-30 & 7174-2215-30 (TWO PIECES COVER)

△	DATE	REVISION RECORD	NO.	CHKD
△	09-05-2022	UPDATED TO LATEST STANDARDS AND ADDED WIRE COVER INFORMATION	C22-A459	AC
-	09-17-2018	NEW	C18-A890	JG

GENERAL TOLERANCE											
	10MAX	50MAX	100MAX	250MAX	250OVR	R5 MAX	R10 MAX	R20 MAX	R20 OVR	ANGLE	ECCENT
A	±0.15	±0.2	±0.3	±0.5	±0.75					±3°	0.1
B	±0.2	±0.3	±0.55	±0.95	±1.4	±0.2	±0.3	±0.5	±2.5	±3°	0.15
Ⓒ	±0.3	±0.5	±0.8	±1.4	±2					±3°	0.15
	SPECIFIED										MASS (9.91) g

CUSTOMER		CUSTOMER DWG NO.		MTRL SPEC.		TREAT. & FIN.	
CUSTOMER PART NO.		CUSTOMER DWG NO.		SEE TABLE		N/A	
OFFICE YNA		TRIAL PART NO.		NAME 4P 6.3mm YESC KAIZEN UNSEALED FEMALE CONNECTOR SUB-ASSEMBLY			
VENDOR		VENDOR NO.		PART NO. 7289-7459-40			
				CH. CODE 7289-7459-40:R			
				DWG NO. 7289-7459-40:R			
				YAZAKI CORPORATION			

X-ON Electronics

Largest Supplier of Electrical and Electronic Components

Click to view similar products for [Automotive Connectors](#) category:

Click to view products by [Yazaki](#) manufacturer:

Other Similar products are found below :

[003-018-000](#) [60993906-B](#) [M902-2131](#) [M902-2161](#) [M902-2344](#) [72.330.1035.1](#) [73.353.4028.0](#) [F166900](#) [F358300-B](#) [F407400](#) [776880-1](#)
[827153-1](#) [8N1515-32-24P](#) [9-1326729-8](#) [925474-1](#) [928905-1](#) [964562-4](#) [968782-1](#) [98891-1012](#) [12004475-L](#) [12020308](#) [12041318-B](#)
[12052466](#) [12064869](#) [12015909](#) [1-21030-1](#) [12041254](#) [12041318](#) [12047946-B](#) [12110546-B](#) [12131792](#) [12084688](#) [12092346](#) [HD34-18-14PT](#)
[HD46-24-23SN-059](#) [HDB36-24-16PN-059](#) [HDP26-24-9SE-L015](#) [12185280](#) [12185550](#) [12336-12](#) [12191172-B](#) [12S](#) [13545280](#) [13577943](#)
[13681974](#) [13737722-B](#) [13830674](#) [13832576](#) [13849772](#) [13542772](#)