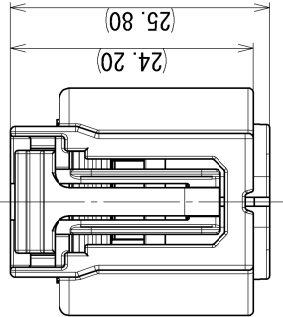
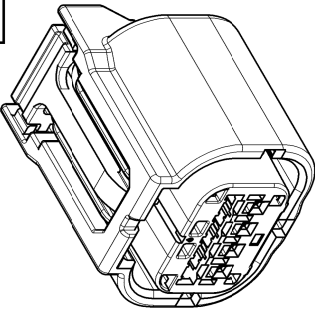
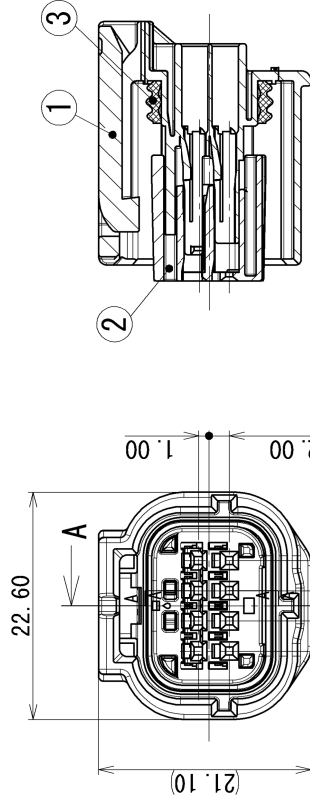


SUB ASSEMBLY PART NO. AND CH. CODE		PART NO. AND CH. CODE	PART NAME	MATERIAL	COLOR
7298-2755-30		① 7198-2755-30	HS 025 8P SEALED HOUSING FEMALE	PBT	BLACK
		② 7172-1675	HS 025 8P SEALED FRONT RETAINER FEMALE	PBT-G	NATURAL
		③ 7137-3218-80	HS 025 8P SEALED PACKING	SILICONE RUBBER	BROWN



ISOMETRIC VIEW



SEC. A-A

GENERAL TOLERANCE											
	10 MAX	50 MAX	100 MAX	250 MAX	250 OVR	R5 MAX	R10 MAX	R20 MAX	R20 OVR	ANGLE	ECCENT
A	±0.15	±0.2	±0.3	±0.5	±0.75					±3°	0.1
B	±0.2	±0.3	±0.55	±0.95	±1.4	±0.2	±0.3	±0.5	±2.5	±3°	0.1
C	±0.3	±0.5	±0.8	±1.4	±2					±3°	0.15

CUSTOMER		CUSTOMER PART NO.		MATERIAL SPEC.	
CUSTOMER DWG NO.		OFFICE		SEE TABLE	
C18-P388		Y M		TREAT. & FIN.	
NO.		CHKD			
REVISION RECORD		NEW		NAME	
DATE		DATE		HS 025 8P SEALED SUB ASSEMBLY FEMALE	
2018/11/29		2018/11/29			

TRIAL PART NO. or PRODUCT NO.		PART NO.		7298-2755-30	
VENDOR NO.		CH. CODE		7298-2755-30:R	
VENDOR		DESIGN		DRAWN	
R		CHECKED		N. KOBAYASHI	
APPROVED		DWG DATE		2018/11/29	
S. KODAMA		UNIT		mm	
		SCALE		2:1	
		CHECKED		K. IKEYA	
		DESIGN		Y. MAEDA	
		DWG NO.		7298-2755-30	
		SET DWG NO.		7298-2755-30:R	

SPECIFIED		MASS		(6.2) g	
DATE		DATE		2018/11/29	
2018/11/29		DATE		2018/09/11	
		DATE		2018/11/29	
		DATE		2018/11/29	

YAZAKI Corporation

注記

1. かん合相手品番 : 機器直結
2. 適用端子品番 : 7116-4415-02, 7116-4416-02, 7116-4417-02
3. 適用ゴム栓品番 : 7158-3165-90, 7158-3166-60, 7158-3167-80, 7158-3168-80
4. 適用防水栓品番 : 7158-3169-40

NOTES

1. MATING PART NO. : DIRECT EQUIPMENT CONNECTION
2. APPLICABLE TERMINAL NO. : 7116-4415-02, 7116-4416-02, 7116-4417-02
3. APPLICABLE SEAL RUBBER NO. : 7158-3165-90, 7158-3166-60, 7158-3167-80, 7158-3168-80
4. APPLICABLE RUBBER STOPPER NO. : 7158-3169-40

X-ON Electronics

Largest Supplier of Electrical and Electronic Components

Click to view similar products for [Automotive Connectors](#) category:

Click to view products by [Yazaki](#) manufacturer:

Other Similar products are found below :

[003-018-000](#) [60993906-B](#) [M902-2131](#) [M902-2161](#) [M902-2344](#) [72.330.1035.1](#) [73.353.4028.0](#) [F166900](#) [F358300-B](#) [F407400](#) [776880-1](#)
[827153-1](#) [8N1515-32-24P](#) [9-1326729-8](#) [925474-1](#) [928905-1](#) [964562-4](#) [968782-1](#) [98891-1012](#) [12004475-L](#) [12020308](#) [12041318-B](#)
[12052466](#) [12064869](#) [12015909](#) [1-21030-1](#) [12041254](#) [12041318](#) [12047946-B](#) [12110546-B](#) [12131792](#) [12084688](#) [12092346](#) [HD34-18-14PT](#)
[HD46-24-23SN-059](#) [HDB36-24-16PN-059](#) [HDP26-24-9SE-L015](#) [12185280](#) [12185550](#) [12336-12](#) [12191172-B](#) [12S](#) [13545280](#) [13577943](#)
[13681974](#) [13737722-B](#) [13830674](#) [13832576](#) [13849772](#) [13542772](#)