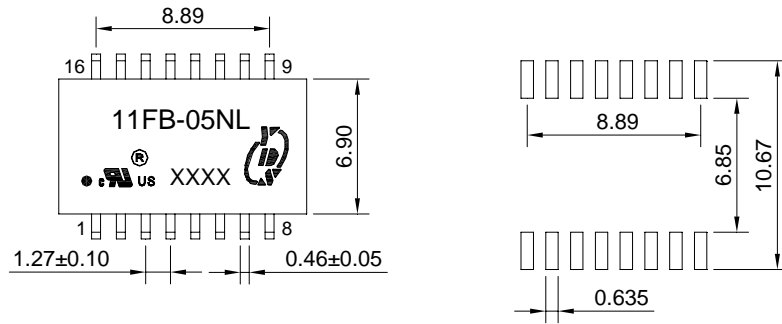
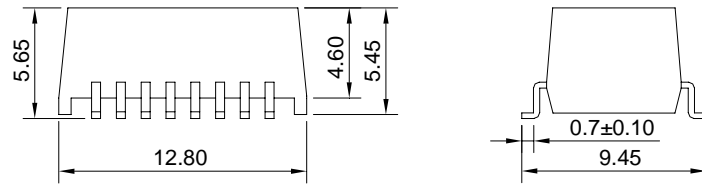


REV.	DESCRIPTION	DATE	DWN	AP'PD
0		09.2.4	Hu	Li
1.0	Add Packing	09.7.1	Hu	Li

## 一、Mechanicals Dimensions

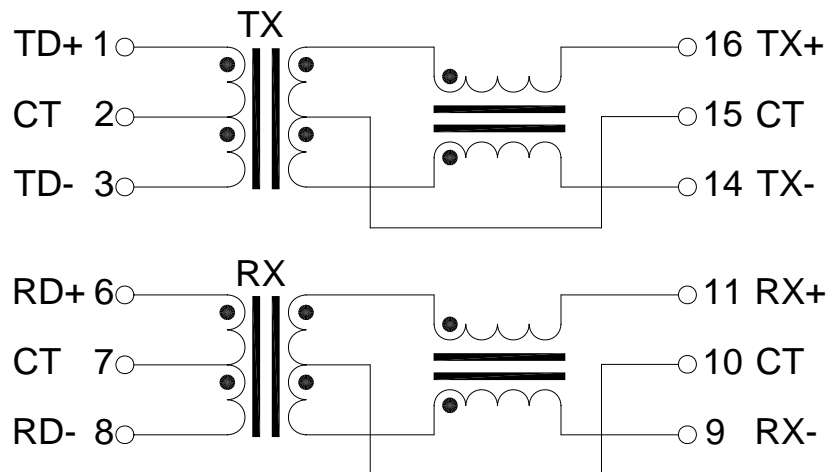


SUGGESTED PAD LAYOUT



UNIT:mm Unless otherwise specified,all tolerances are  $\pm 0.25$

## 二、Schematics



## 三、ELECTRICAL SPECIFICATIONS@25°C:

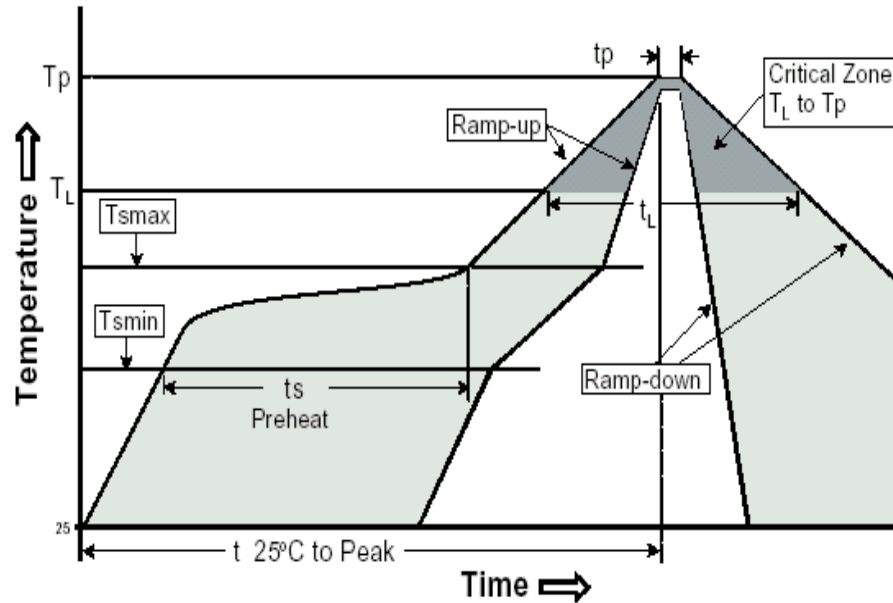
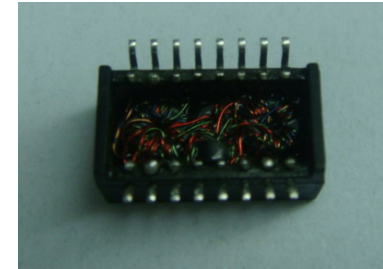
1. Turn Ratio( $\pm 2\%$ ):1CT:1CT
2. OCL(100KHz/0.1V@8mA): 350uH MIN.
3. CWW(100KHz/0.1V):25pF MAX
4. Insertion Loss(dB MAX): -1.0dB(1-100MHz), -3.0dB(140MHz)
5. Return Loss(dB MIN): -16dB(5MHz), -16dB(30MHz), -13.5dB(40MHz),  
-11.6dB(50MHz), -10dB(60MHz),-10dB(80MHz)
6. HI-POT: 1500Vrms/0.5mA/60Sec or 1650Vrms/0.5mA/2Sec
7. Operating Temperature:-40°C TO +85°C
- 8.POE applications current capability:350mA(MAX)
9. RoHS compliance:YES

REF: BOM-AC33

	<b>元册科技股份有限公司</b> YUAN DEAN SCIENTIFIC CO., LTD.			
	TITLE	10/100BASE-T SINGLE PORT SURFACE MOUNT MAGNETICS		
	P/N	11FB-05NL	REV.	1.0
	PAGE NO	1-4	DATE	2009-8-4
	AP'PD	Li YueSheng	DWN	Hu XiaoLan

四、Our RoHS parts just can withstand IR Reflow peak temperature: 245degC+/-5degC as the following profile:

REV.	DESCRIPTION	DATE	DWN	AP'PD



Profile Feature	Pb-Free Assembly
Average Ramp-Up Rate ( $T_{s\ max}$ to $T_p$ )	3°C /second max.
<b>Preheat</b> -Temperature Min ( $T_{s\ min}$ ) -Temperature Max ( $T_{s\ max}$ ) -Time ( $t_{s\ min}$ to $t_{s\ max}$ )	150°C 200°C 60-180 seconds
<b>Time maintained above:</b> -Temperature ( $T_L$ ) -Time ( $t_L$ )	217°C 60-150 seconds
Peak/Classification Temperature ( $T_p$ )	245±5°C
Time within 5°C of actual Peak Temperature ( $t_p$ )	20-40 seconds
Ramp-Down Rate	6°C/seconds max
Time 25°C to Peak Temperature	6 minutes max.



元册科技股份有限公司

YUAN DEAN SCIENTIFIC CO., LTD.

TITLE

10/100BASE-T SINGLE PORT SURFACE MOUNT MAGNETICS

P/N

11FB-05NL

REV.

1.0

PAGE NO

2-4

DATE

2009-8-4

AP'PD

Li YueSheng

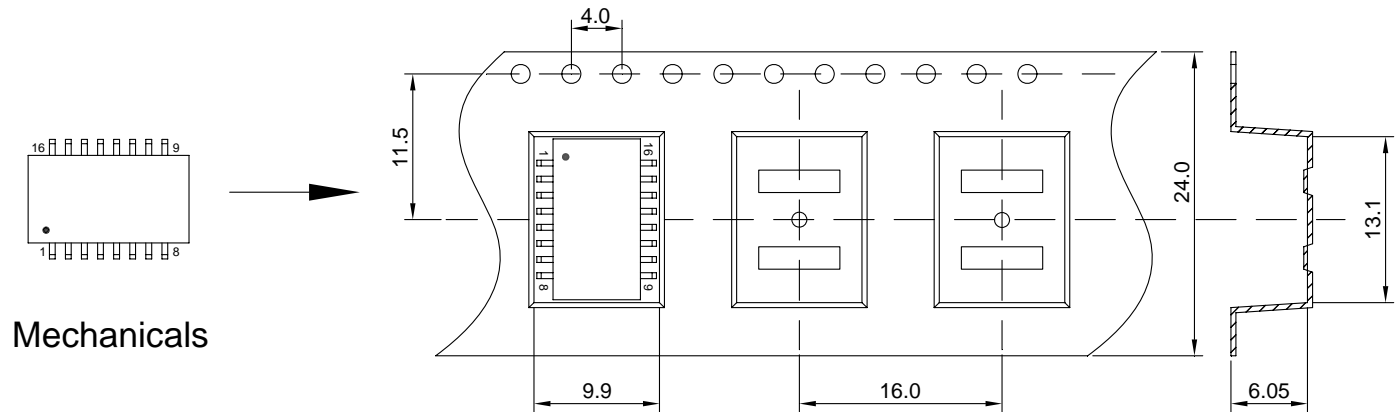
DWN

Hu XiaoLan

# 五、 Packing Information:

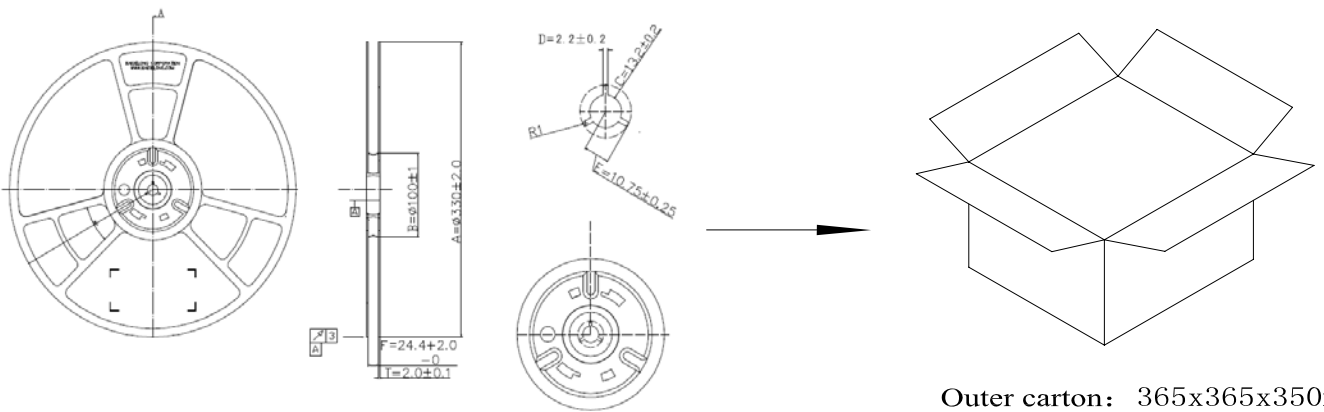
- 1.Weight-----0.7 grams/pcs
- 2.Tape & Reel----- 700 pcs
- 3. outer carton unit: 7000pcs/box
- 4. outer carton unit: 10 T&R/box
- 5.Weight: 10.5kg per carton

REV.	DESCRIPTION	DATE	DWN	AP'PD



Mechanicals

Tape & Reel



Outer carton: 365x365x350mm



元册科技股份有限公司

YUAN DEAN SCIENTIFIC CO., LTD.

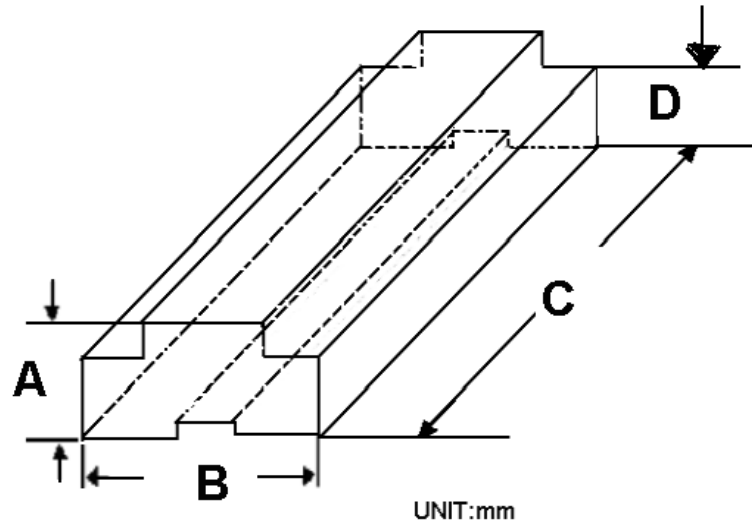
TITLE	10/100BASE-T SINGLE PORT SURFACE MOUNT MAGNETICS		
P/N	11FB-05NL	REV.	1.0
PAGE NO	3-4	DATE	2009-8-4
AP'PD	Li YueSheng	DWN	Hu XiaoLan

## 六、 Packing Information:

REV.	DESCRIPTION	DATE	DWN	AP'PD

1. Weight-----0.7 grams/pcs

2. TUBE ----- 36 pcs

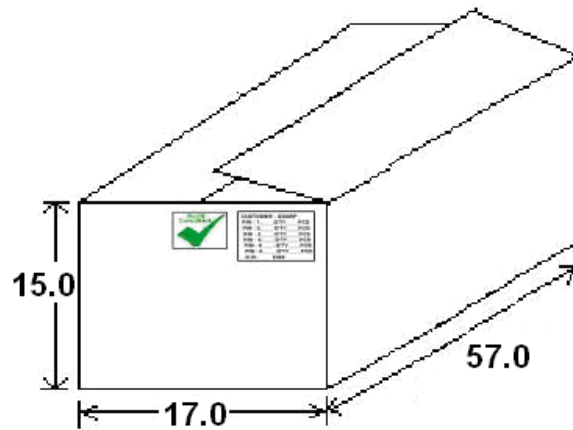


Size(mm)			
A	B	C	D
9.20	13.70	485.0	6.0

3. outer carton unit: 3600pcs/box

4. outer carton unit: 100Tube /box

5. Weight: 5.2kg per carton



			<b>元册科技股份有限公司</b> YUAN DEAN SCIENTIFIC CO., LTD.	
	<b>TITLE</b>		<b>10/100BASE-T SINGLE PORT SURFACE MOUNT MAGNETICS</b>	
	<b>P/N</b>	<b>11FB-05NL</b>	<b>REV.</b>	<b>1.0</b>
	<b>PAGE NO</b>	<b>4-4</b>	<b>DATE</b>	<b>2009-8-4</b>
	<b>AP'PD</b>	<b>Li YueSheng</b>	<b>DWN</b>	<b>Hu XiaoLan</b>

## X-ON Electronics

Largest Supplier of Electrical and Electronic Components

*Click to view similar products for [Audio Transformers](#) / [Signal Transformers](#) category:*

*Click to view products by [YDS](#) manufacturer:*

Other Similar products are found below :

[CU4S0506AT-2655-H1](#) [CX2041NLT](#) [MGPWT-00449-P](#) [PE-64961](#) [H1302FNLT](#) [H5004ENLT](#) [H5008FNL](#) [H5012FNL](#) [H5020FNLT](#)  
[H5077NLT](#) [H5079NLT](#) [H5084FNLT](#) [1812WBT2-4](#) [1879479-1](#) [HX2260FNL](#) [PA1528ANL](#) [EX2024FNL](#) [T1137NLT](#) [T3012NL](#) [PE-](#)  
[65812FNL](#) [PE-65848FNLT](#) [H1174FNL](#) [H1302FNL](#) [H5015FNL](#) [H5019EFNL](#) [H5062FNLT](#) [CX2047LNL](#) [MET-14](#) [MGPWT-00059-P](#)  
[MGPWT-00266-P](#) [MGPWT-00278-P](#) [MGPWT-00431-P](#) [TTC-100](#) [TTC-143-H](#) [BX1194WNLT](#) [HX1234NLT](#) [HX5008FNLT](#) [HX5019FNL](#)  
[HX5084NL](#) [3-1879385-5](#) [TX1263NLT](#) [4-1879391-0](#) [100213](#) [T1142NL](#) [HX6101FNL](#) [HX5084FNL](#) [HX1148NL](#) [HX5020FNLT](#)  
[HX5014FNLT](#) [T1124NL](#)