

Features

- 1WATT SIP PACKAGE
- EFFICIENCY TO 75%
- 100% BURNED IN
- UL 94V-0 PACKAGE MATERIAL
- CUSTOM SOLUTIONS AVAILABLE
- UNREGULATED OUTPUT TYPES



1 Watt DC/DC Converter

1 Watt Single O/P
Isolated DC-DC Converter

Input Specifications

Input Voltage	:5Vdc
Input Voltage Range	:±10%

Output Specifications

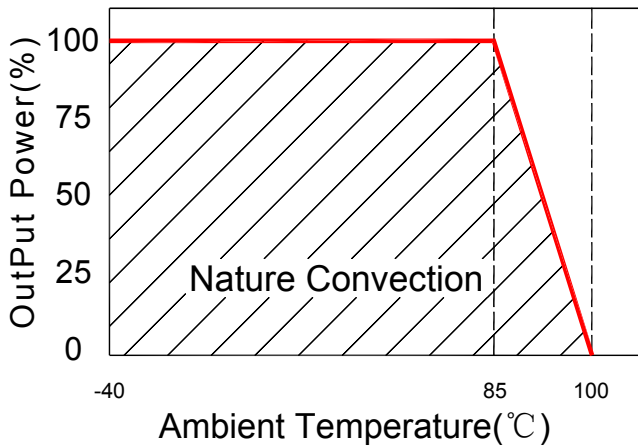
Output Voltage	:5Vdc	
Output Voltage Accuracy	:±5%	@Vout=4.75-5.25Vdc@Vin=5Vdc
Output Current	:200mA	
Efficiency	:75% TYP	
Ripple / Noise	:100mVp-p MAX	@20MHz Bandwidth
Short Circuit Protection	:Short term	
Line Regulation	:±1.2% TYP	@ For 1.0% OF Vin
Load Regulation	:±15% MAX	@10% to 100% full load

General Specifications

Operating Temperature Range	:-40°C ~ +85°C	
Storage Temperature	:-40°C ~ +100°C	
Switching Frequency	:100KHz TYP	
Humidity	:95% MAX	
Isolation Voltage	:1000Vdc	@Input to Output (2sec/0.5mA)
Isolation Resistance	:1000MΩ MIN	@ 500Vdc
Cooling	:Free air convection	
MTBF	:>3500000 Hours	MIL-HDBK-217F@25°C,Ground Benign.
Case Material	:DAP	
Weight	:1.5g TYP	

Temperature Derating Graph

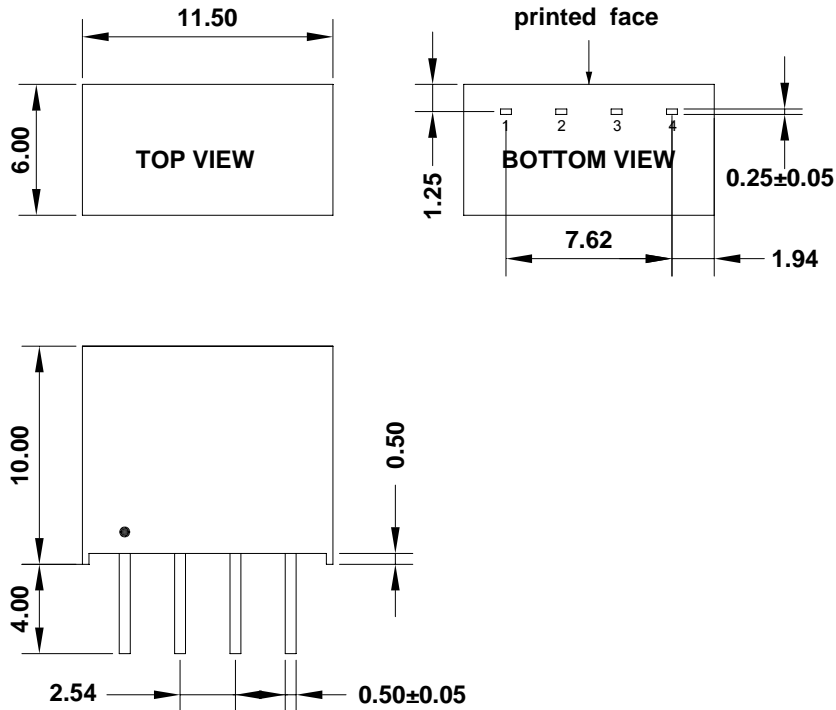
Part Number



13D - 05 S 05 N C NL
 A B C D E F G

- A:Series
- B:Input Voltage
- C:Single Output
- D:Output Voltage
- E:Unregulated(N)
- F:Operating Temperature
- G:RoHS Version

Outline Dimensions



UNIT:mm Unless otherwise specified,all tolerances are ±0.25

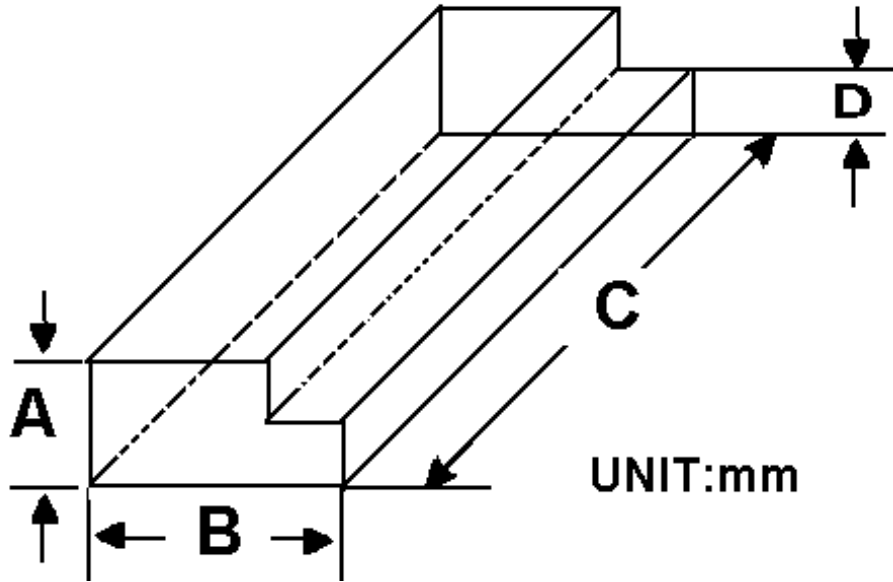
PIN	1	2	3	4
Single	-Vin	+Vin	-Vout	+Vout

Packing Information:

Weight----- 1.5grams/pcs

TUBE-----42pcs

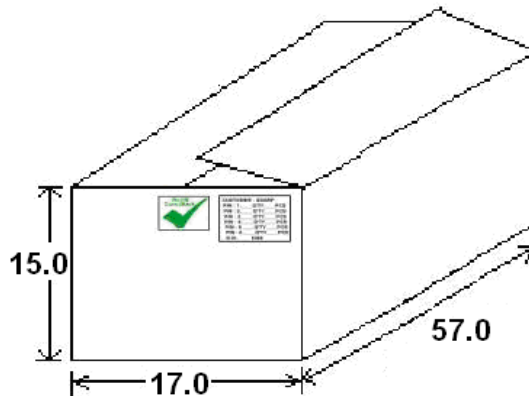
Weight: 83.2g per tube



Size(mm)			
A	B	C	D
9.50	16.50	522	5.00

Outer carton unit: 4200pcs/100Tube/box

Weight: 9.0kg per carton



X-ON Electronics

Largest Supplier of Electrical and Electronic Components

Click to view similar products for [Power Management Modules](#) category:

Click to view products by [YDS](#) manufacturer:

Other Similar products are found below :

[FPF1C2P5BF07A](#) [FH2000NPBAP](#) [IF1205S-1WR3](#) [A2415XT-1WR3](#) [F1205XT-2WR3](#) [E1215XT-1WR3](#) [A0505S-1WR2](#) [A2415S-1WR2](#)
[A2415S-1WR3](#) [F1205S-2WR3](#) [F2405S-2WR3](#) [FD30-18S12B3](#) [IA0505KS-2W](#) [B1212S-1W](#) [URA2412YMD-15WR3](#) [UWF1212S-1WR3](#)
[URB4805S-3WR3](#) [VRB2412YMD-20WR3](#) [B1215S-2WR3](#) [URB4815YMD-30WR3](#) [B1224S-1WR3](#) [B1505S-1WR3](#) [B2415XT-2WR3](#)
[A1212S-1WR3](#) [B1215LS-1WR2](#) [B2405LS-1WR3](#) [VRB2405LD-15WR3](#) [HCS2-24D15](#) [RD5-12S24W](#) [RD5-110S05W](#) [RD5-110S12W](#)
[RD25-5S12F](#) [MAS15-12-W](#) [MAS15-24-W](#) [FAS15-12-W](#) [RALT15-05H12-WIT](#) [RAS25-5-W](#) [RAS25-12-W](#) [RAS25-24-W](#) [BB-WSK-HAC-2](#)
[LD15-23B03R2](#) [TAS5-15-WEDT](#) [WRB1209S-3WR2](#) [ZY2424FLS-1W](#) [ZY0512FS-1W](#) [B0505S-1WS](#) [NA03-T2S05](#) [A0515S-2W](#) [G1205S-](#)
[1W](#) [A2409S-2W](#)