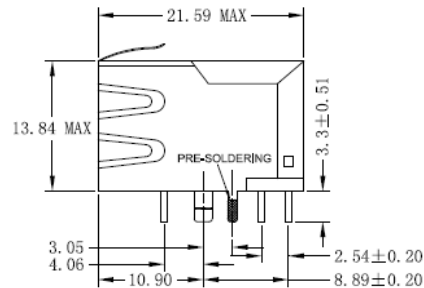
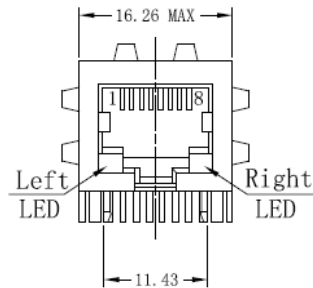
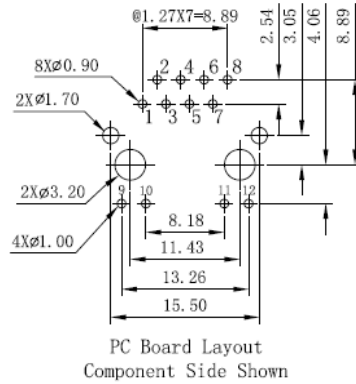
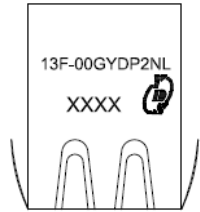


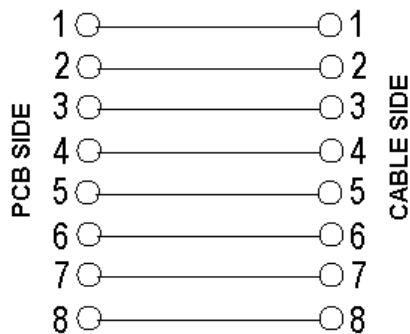
REV.	DESCRIPTION	DATE	DWN	AP'PD
0		10.5.19	Hu	Li
1.0	Correct Housing	16.2.16	Huang	Hsu

一、Mechanical Dimensions



UNIT:mm Unless otherwise specified, all tolerances are ± 0.25

二、Schematics



Standard LED	Wavelength	Forward*V(MAX)	TYP
Green	565nm	2.5v	2.2v
Yellow	585nm	2.5v	2.1v

With a forward current of 20mA

三、ELECTRICAL SPECIFICATIONS@25°C:

ELECTRICAL:

- VOLTAGE RATING:**125 VAC RMS.
- CURRENT RATING:**1.5 AMP.
- CONTACT RESISTANCE:**45 MILLIOHMS MAX.
- INSULATION RESISTANCE:**1000 MEGOHMS MIN@500 VDC.
- DIELECTRIC STRENGTH:**500 VAC RMS 60Hz,1MIN.

MECHANICAL:

- HOUSING MATERIAL:** NYLON 66 UL94V-0.
- CONTACT MATERIAL:**PHOSPHOR BRONZE t=0.35mm.
- PLATING:**GOLD PLATING OVER NICKEL.
- OPERATING LIFE:**750 CYCLES MIN.
- PCB RETENTION PRE-SOLDER:**1 LB MIN.
- PCB RETENTION POST-SOLDER:**10 LBS MIN.

ENVIRONMENTAL:

- STORAGE:**-40°C TO +85°C.
- OPERATION:**-40°C TO +85°C.

RoHS compliance: YES

	元册科技股份有限公司 YUAN DEAN SCIENTIFIC CO., LTD.			
	TITLE	10/100 BASE-T SINGLE PORT RJ-45 JACK MAGNETICS		
	P/N	13F-00GYDPXNL	REV.	1.0
	PAGE NO	1-4	DATE	2016-2-16
	AP'PD	Hsu	DWN	Huang Cuili

四、Mechanicals

Housing Material:

MATERIAL:NYLON 66 UL94V-0 STANDARD COLOR:BLACK

Insert Material:

MATERIAL:Phos-Bronze C5210 EH---0.35mm Thickness

Insert -PBT GF UL94V-0

- 1.PLATING(1) NICKEL
- 2.PLATING(2) 100%Sn
- 3.PLATING(3) GOLD (3u " ~50u ")

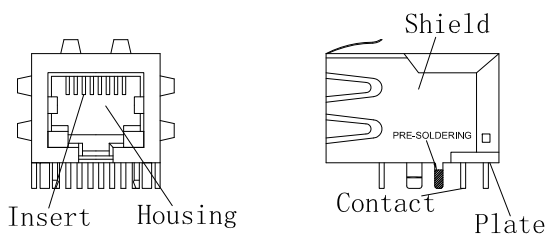


Plate Material:

PBT GF UL 94V-0

Contact pin Material:

MATERIAL: Phos-Bronze C5191---0.35mm Thickness

- 1.PLATING(1) NICKEL
- 2.PLATING(2) 100%Sn

Shielding Material:

BRASS C2680 PLATING NICKEL

Operating Life:750 Cycles MIN.

五、Environmental

- 1.Storage Temp:-40°C TO +85°C.
- 2.Operating Temp:-40°C TO +85°C
3. MATES WITH MODULAR PLUG CONFORMING TO FCC PART 68,SUBPARTF.

六、Part Number

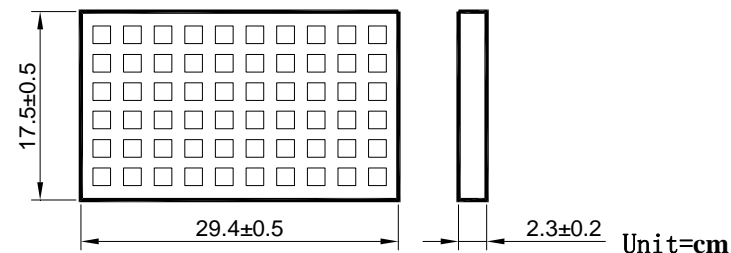
13F-00GYDPXNL

RoHS version
Gold Plating:1=3u",2=6u",3=15u",4=30u",5=50u",

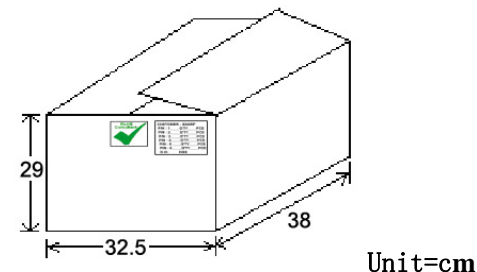
REV.	DESCRIPTION	DATE	DWN	AP'PD

七、Packaging

1. packaging unit : 60 PCS/tray
2. packaging material : PET



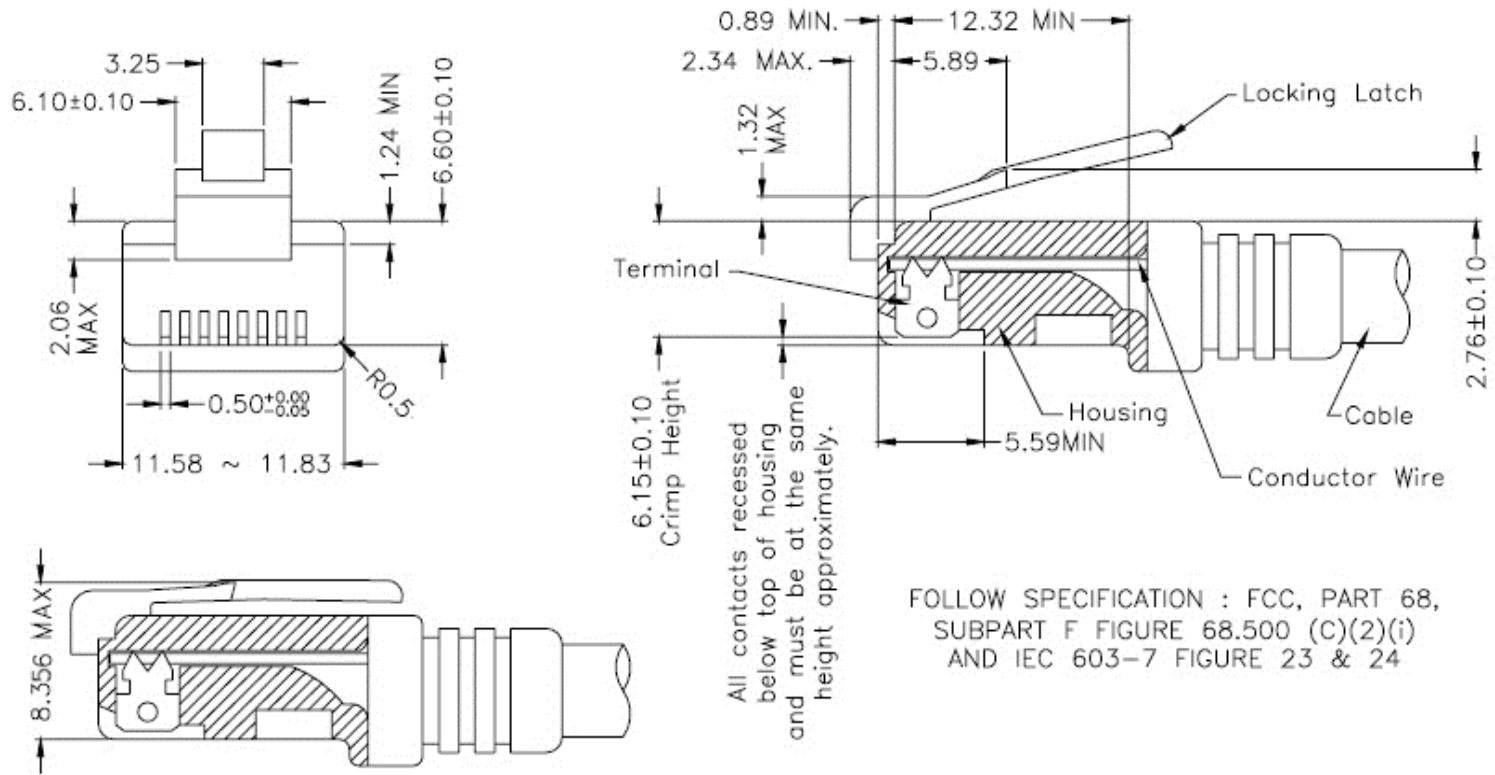
3. outer carton unit: 1320 pcs/ 22 Trays/box



	元册科技股份有限公司 YUAN DEAN SCIENTIFIC CO., LTD.			
	TITLE		10/100 BASE-T SINGLE PORT RJ-45 JACK MAGNETICS	
	P/N	13F-00GYDPXNL	REV.	1.0
	PAGE NO	2-4	DATE	2016-2-16
	AP'PD	Hsu	DWN	Huang Cuili

八、RJ PLUG SPECIFICATION

REV.	DESCRIPTION	DATE	DWN	AP'PD



FOLLOW SPECIFICATION : FCC, PART 68, SUBPART F
FIGURE 68.500 (C)(2)(ii)

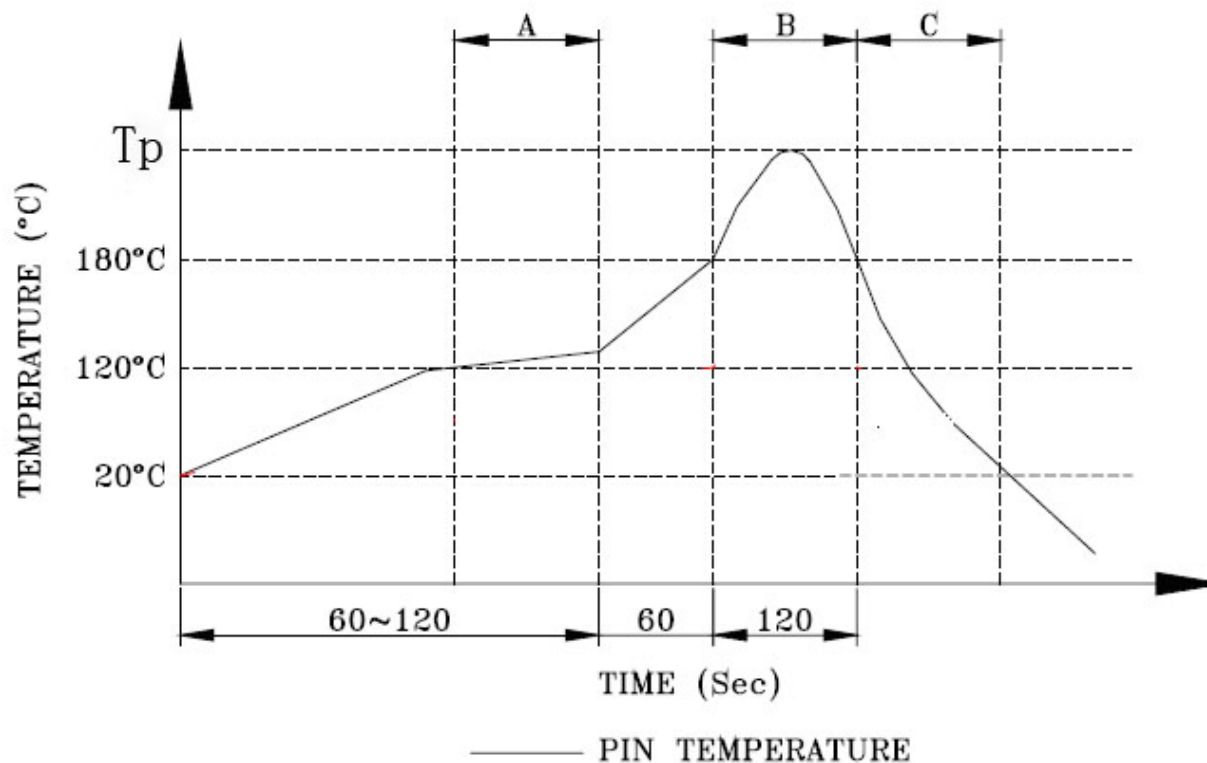
FOLLOW SPECIFICATION : FCC, PART 68,
SUBPART F FIGURE 68.500 (C)(2)(i)
AND IEC 603-7 FIGURE 23 & 24

STANDARD MODULAR PLUG ASSEMBLY

	元册科技股份有限公司 YUAN DEAN SCIENTIFIC CO., LTD.			
	TITLE		10/100 BASE-T SINGLE PORT RJ-45 JACK MAGNETICS	
	P/N	13F-00GYDPXNL	REV.	1.0
	PAGE NO	3-4	DATE	2016-2-16
	AP'PD	Hsu	DWN	Huang Cuili

九、PROFILE OF WAVE SOLDER

REV.	DESCRIPTION	DATE	DWN	AP'PD



A. Preheating B. Soldering C. Gradual Cooling

SUGGESTED WAVE SOLDER CURVE

1. Peak temperature(T_p) : $250 \pm 10^\circ\text{C}$
2. Peak temperature(T_p) time : 5sec max



元册科技股份有限公司

YUAN DEAN SCIENTIFIC CO., LTD.

TITLE	10/100 BASE-T SINGLE PORT RJ-45 JACK MAGNETICS		
P/N	13F-00GYDPXNL	REV.	1.0
PAGE NO	4-4	DATE	2016-2-16
AP'PD	Hsu	DWN	Huang Cuili

X-ON Electronics

Largest Supplier of Electrical and Electronic Components

Click to view similar products for [Modular Connectors / Ethernet Connectors](#) category:

Click to view products by [YDS](#) manufacturer:

Other Similar products are found below :

[RJE231881317T](#) [MP1010RX-1000](#) [MP44RX-1000](#) [GAX-3-66](#) [GAX-8-62](#) [93606-0253](#) [GD-A-44](#) [GDCX-PA-66-50](#) [GDCX-PN-64](#) [GDCX-PN-66](#) [GDCX-PN-66-50](#) [GDLX-A-66](#) [GDLX-A-88](#) [GDLX-N-66](#) [GDLX-S-88K](#) [GDTX-S-88-50](#) [GDX-PA-1010](#) [GLX-N-1010M-BLK](#) [GLX-N-44M](#) [GLX-S-88M-BLK](#) [GMX-N-1010](#) [GMX-S-1010](#) [GMX-S-66](#) [GMX-SMT2-N-1010](#) [GMX-SMT2-N-64-50](#) [GMX-SMT2-S6-88](#) [GMX-SMT4-N-88](#) [GPX-2-64](#) [GRT1-BT1-5](#) [GSGX-N-2-88](#) [GSX-NS2-88-3.05](#) [GSX-NS2-88-3.05-50](#) [GSX-NS-88-3.05-30](#) [GSX-NS-88-3.05-50](#) [GSX-NS-88-3.68](#) [1-1775629-2](#) [GWLX-S-88-GR](#) [GWLX-S9-88-YG](#) [1300500326](#) [1300500227](#) [1300530003](#) [1300570002](#) [1324640-4](#) [RJ11FTVC2G](#) [RJ11FTVC2N](#) [RJFTVX2SA1G](#) [132764-001](#) [1400000](#) [1413176](#) [1413235](#)