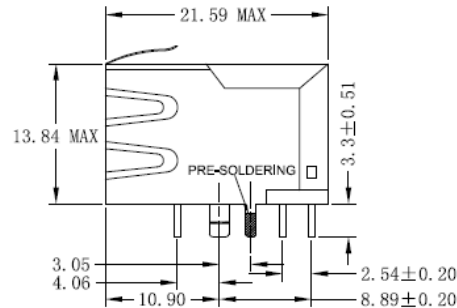
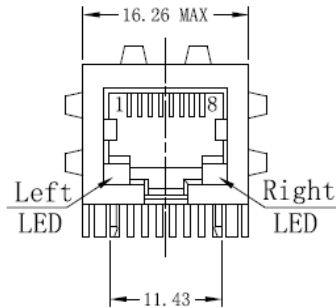
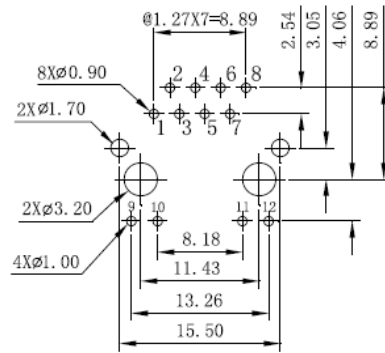
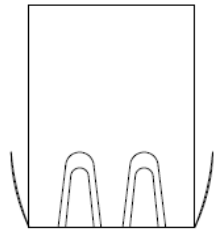


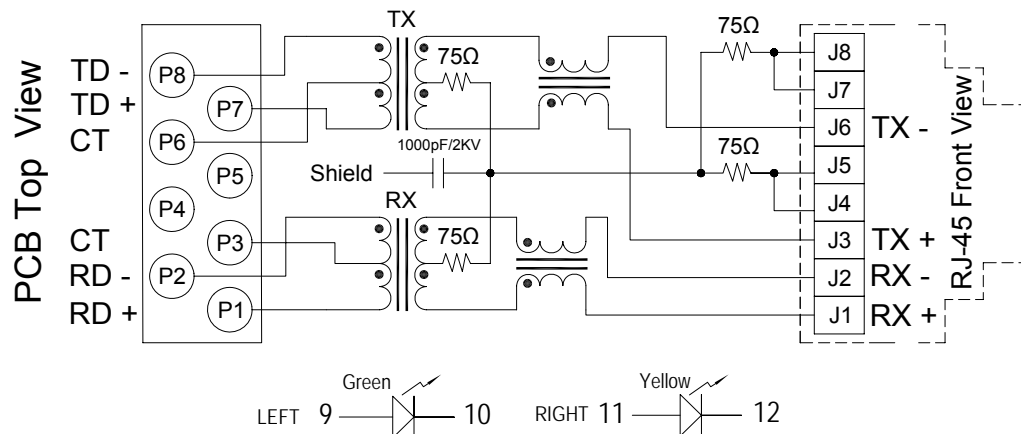
REV.	DESCRIPTION	DATE	DWN	AP'PD

## 一、Mechanicals Dimensions



UNIT:mm Unless otherwise specified, all tolerances are  $\pm 0.25$

## 二、Schematics



## 三、ELECTRICAL SPECIFICATIONS@25°C:

1. Turn Ratio( $\pm 5\%$ ):1CT:1CT
2. Inductance(100KHz/0.1V@8mA):350uH MIN
3. CWW(100KHz/0.1V):28pF MAX
4. Insertion Loss (dB MAX):-1.0dB(1-100MHz)
5. Return Loss (dB MIN): -18dB(1-30MHz),-16dB(40MHz),-14dB(50MHz),  
-12dB(60-80MHz)
6. Cross talk(dB MIN):-35dB(1-80MHz)
7. HI-POT:1500Vrms/0.5mA/60Sec or 1650Vrms/0.5mA/2Sec
8. Operating Temperature:-40°C TO +85°C
9. RoHS compliance:YES

Ref: BOM-Y19



元册科技股份有限公司

YUAN DEAN SCIENTIFIC CO., LTD.

TITLE 10/100 BASE-T SINGLE PORT RJ-45 JACK MAGNETICS

P/N 13F-60LDNL REV. 0

PAGE NO 1-4 DATE 2009-02-14

AP'PD Li YueSheng DWN Hu XiaoLan

## 四、Mechanicals

### Housing Material:

MATERIAL:NYLON GF (Fr50) UL94V-0 STANDARD COLOR:BLACK

### Insert Material:

MATERIAL:Phos-Bronze C5210 EH---0.35mm Thickness

Insert -PBT GF UL94V-0

1.PLATING(1) NICKEL

2.PLATING(2) 100%Sn

3.PLATING(3) GOLD (3u " ~50u " )

### Plate Material:

PBT GF UL 94V-0

### Contact pin Material:

MATERIAL: Phos-Bronze C2680---0.35mm Thickness

1.PLATING(1) NICKEL

2.PLATING(2) 100%Sn

### Shielding Material:

BRASS SUS430---0.25mm THICKNESS PLATING NICKEL

Operating Life:750 Cycles MIN.

## 五、Environmental

1.Storage Temp:-40°C TO +85°C.

2.Operating Temp: -40°C TO +85°C

3. MATES WITH MODULAR PLUG CONFORMING TO FCC PART 68,SUBPARTF.

## 六、Part Number

# 13F-60LDNL

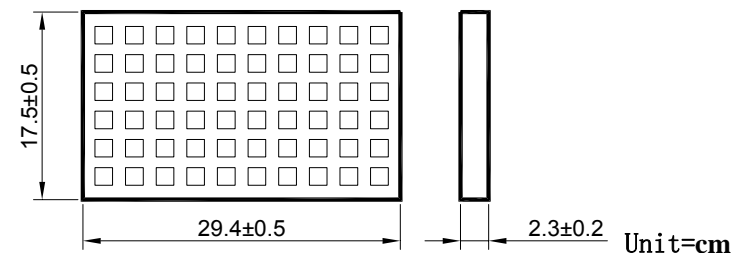
RoHS version

REV.	DESCRIPTION	DATE	DWN	AP'PD

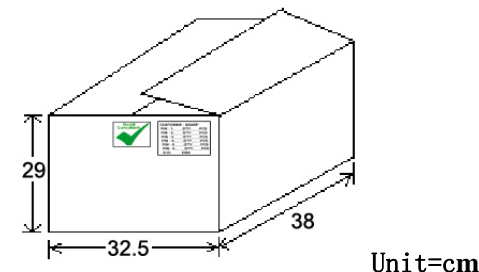
## 七、Packaging

1. packaging unit : 60 PCS/tray

2. packaging material : PET



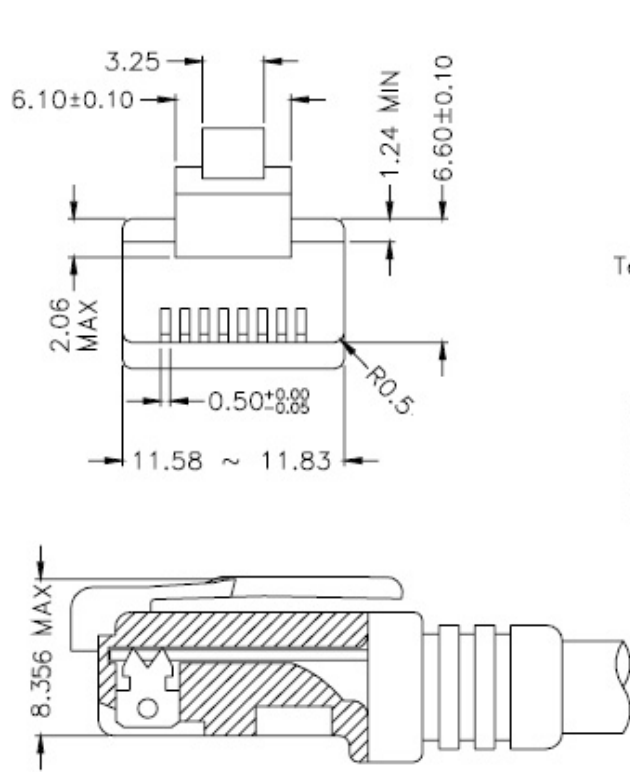
3. outer carton unit: 1320 pcs/ 22 Trays/box



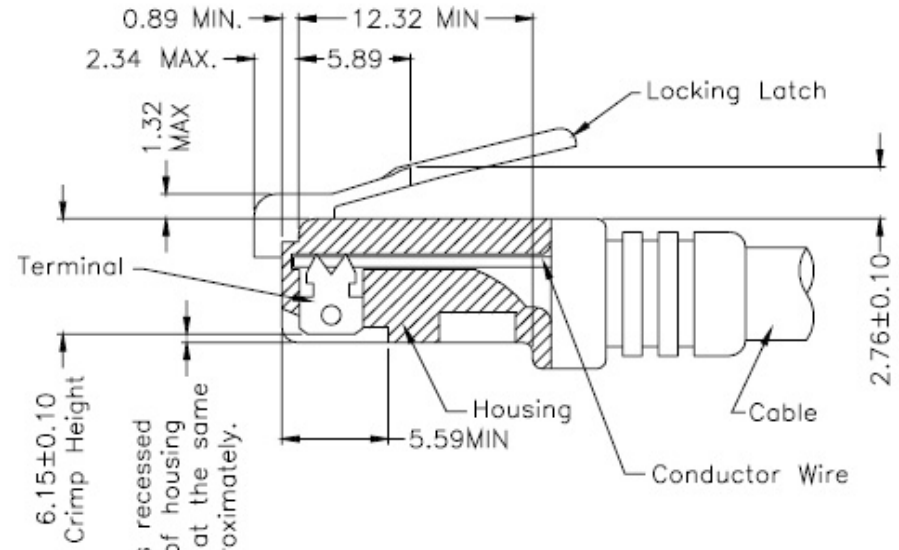
	元册科技股份有限公司 YUAN DEAN SCIENTIFIC CO., LTD.			
	TITLE	10/100 BASE-T SINGLE PORT RJ-45 JACK MAGNETICS		
	P/N	13F-60LDNL	REV.	0
	PAGE NO	2-4	DATE	2009-02-14
	AP'PD	Li YueSheng	DWN	Hu XiaoLan

# 八、 RJ PLUG SPECIFICATION

REV.	DESCRIPTION	DATE	DWN	AP'PD



FOLLOW SPECIFICATION : FCC, PART 68, SUBPART F  
FIGURE 68.500 (C)(2)(ii)



All contacts recessed below top of housing and must be at the same height approximately.

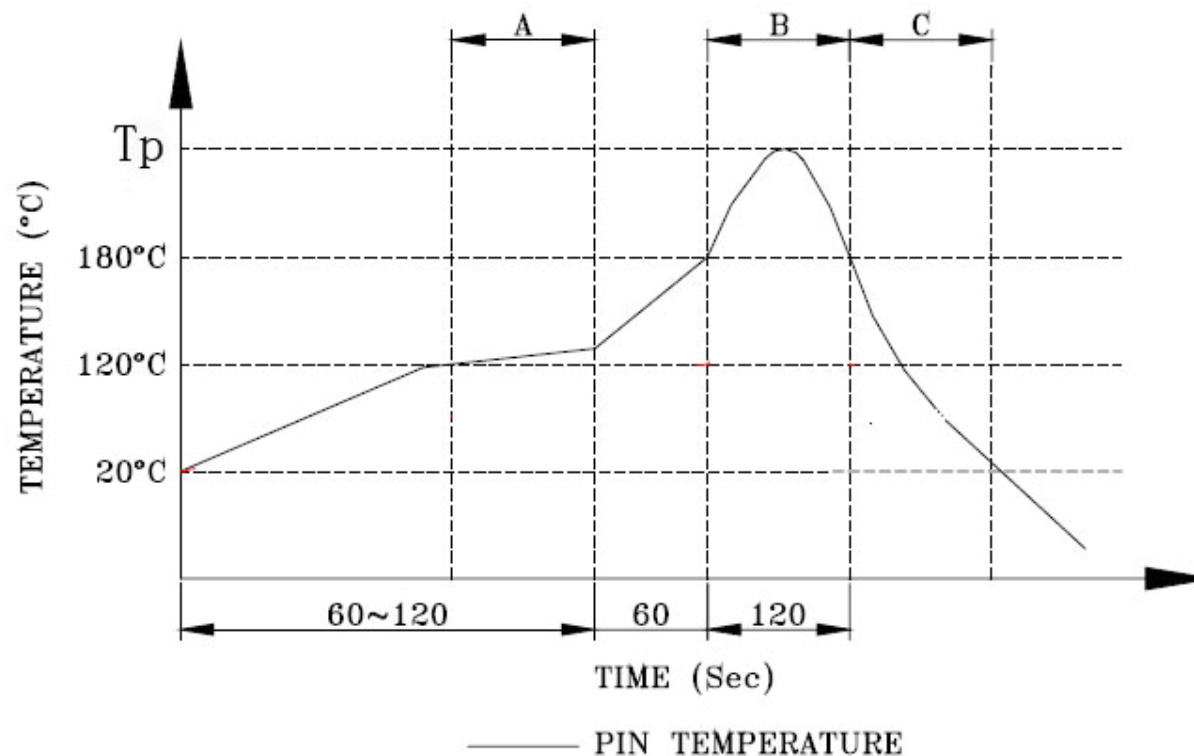
FOLLOW SPECIFICATION : FCC, PART 68,  
SUBPART F FIGURE 68.500 (C)(2)(i)  
AND IEC 603-7 FIGURE 23 & 24

## STANDARD MODULAR PLUG ASSEMBLY

	<b>元册科技股份有限公司</b> YUAN DEAN SCIENTIFIC CO., LTD.			
	<b>TITLE</b>		<b>10/100 BASE-T SINGLE PORT RJ-45 JACK MAGNETICS</b>	
	<b>P/N</b>	<b>13F-60LDNL</b>	<b>REV.</b>	<b>0</b>
	<b>PAGE NO</b>	<b>3-4</b>	<b>DATE</b>	<b>2009-02-14</b>
	<b>AP'PD</b>	<b>Li YueSheng</b>	<b>DWN</b>	<b>Hu XiaoLan</b>

# 九、PROFILE OF WAVE SOLDER

REV.	DESCRIPTION	DATE	DWN	AP'PD



A. Preheating    B. Soldering    C. Gradual Cooling

## SUGGESTED WAVE SOLDER CURVER

1. Peak temperature( $T_p$ ) :  $250 \pm 10^\circ\text{C}$
2. Peak temperature( $T_p$ ) time : 5sec max

 <p>RoHS Compliant</p>	 <b>元册科技股份有限公司</b> YUAN DEAN SCIENTIFIC CO., LTD.			
	TITLE		10/100 BASE-T SINGLE PORT RJ-45 JACK MAGNETICS	
	P/N	13F-60LDNL	REV.	0
	PAGE NO	4-4	DATE	2009-02-14
	AP'PD	Li YueSheng	DWN	Hu XiaoLan

## X-ON Electronics

Largest Supplier of Electrical and Electronic Components

*Click to view similar products for [Modular Connectors](#) / [Ethernet Connectors](#) category:*

*Click to view products by [YDS](#) manufacturer:*

Other Similar products are found below :

[8949-H88/06BLKA/SN](#) [74441-0010/BKN](#) [PHP-6P6C-5](#) [GAX-3-66](#) [GAX-8-62](#) [GDCX-PN-66](#) [GLX-A-44](#) [GLX-N-1010M-BLK](#) [GMX-SMT4-N-88](#) [GSGX-N-2-88](#) [GSGX-N-4-88](#) [GSX-NS2-88-3.05](#) [GSX-NS-88-3.68](#) [PT-108A-8C-UL](#) [PTS-J531-8CS-50UL](#) [1-1775629-2](#) [A-2014-0-4](#) [GWLX-S9-88-YG](#) [DC-1021-8-WH-6](#) [1300530003](#) [1324640-4](#) [RJ11FTVC2G](#) [RJ11FTVC2N](#) [RJFTVX2SA1G](#) [132764-001](#) [1413235](#) [MPS88RX-5000](#) [E5288-S000K3-L](#) [155302-001](#) [AX101050](#) [AX101063](#) [AX101065](#) [AX101072](#) [AX101307](#) [AX101314](#) [AX101315](#) [AX101318](#) [AX102271](#) [AX102288](#) [AX102651](#) [AX102660](#) [HXJ5EOR](#) [J0012D21NL](#) [J0026D01ENL](#) [PC4D0018P](#) [8949-B88/6](#) [2-6609208-5](#) [937-SP-3088-2PC-A192](#) [303066VFL](#) [303068V](#)