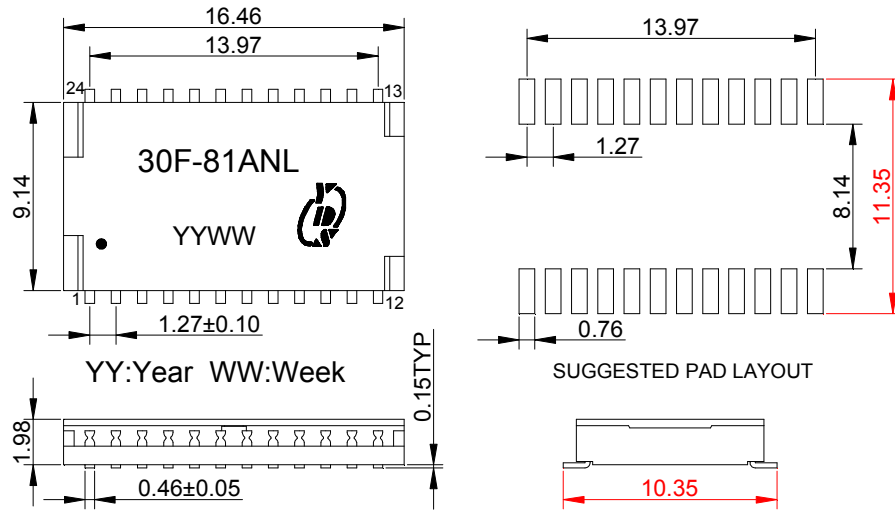
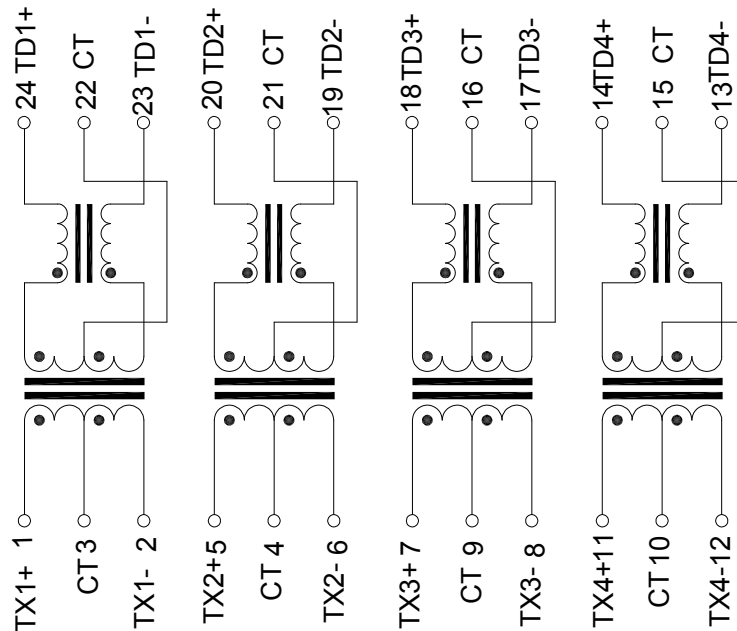


## 一、Mechanical Dimensions



UNIT: mm Unless otherwise specified, all tolerances are  $\pm 0.25$

## 二、Schematics



表号: TE0115A

REV.	DESCRIPTION	DATE	DWN	AP'PD
0		10.4.30	Hu	Li
1.0	Correct appearance	10.8.2	Hu	Li
2.0	Correct IR&Packing	15.6.12	Chen	Hsu
3.0	Add Photos	15.12.2	Huang	Hsu
3.1	Update appearance	20.1.21	Chen	Liu

## 三、ELECTRICAL SPECIFICATIONS@25°C:

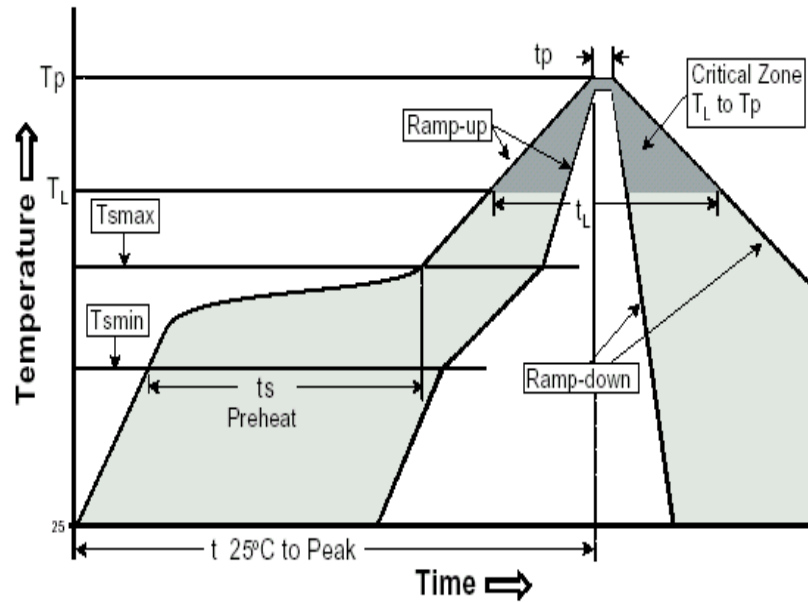
1. Turn Ratio( $\pm 5\%$ ): 1CT:1CT
2. Inductance(100KHz/0.1V@8mA):350uH MIN
3. Insertion Loss (dB MAX): -1.2dB(0.1MHz), $-0.2-0.002*f^{1.4}$ dB(1-125MHz)
4. Return Loss (dB MIN): -16dB(0.1-40MHz),  
-10 +20Log<sub>10</sub>(f/80MHz)dB(40-100MHz)
5. Cross talk (dB TYP): -50dB(1MHz), $-55+22\text{Log}_{10}(f/10\text{MHz})$ dB(10-100MHz)
6. CMR (dB MIN): -42dB(2MHz), $-15+20\text{Log}_{10}(f/200\text{MHz})$ dB(30-200MHz)
7. DCR:1.6Ω MAX
8. HI-POT: 1500Vrms/0.5mA/60Sec or 1650Vrms/0.5mA/2Sec
9. Operating Temperature:0°C TO +70°C
10. RoHS compliance: YES

	元册科技股份有限公司 YUAN DEAN SCIENTIFIC CO., LTD.			
	TITLE	100/1000BASE-T FILTER		
	P/N	30F-81ANL	REV.	3.1
	PAGE NO	1-3	DATE	2020-1-21
	AP'PD	Liu ZhiJun	DWN	Chen JiaPei

## 四、RoHS compliant type

Our RoHS parts just can withstand IR Reflow peak temperature: 240degC MAX as the following profile:

REV.	DESCRIPTION	DATE	DWN	AP'PD



Profile Feature	Pb-Free Assembly
Average Ramp-Up Rate (Ts <sub>max</sub> to Tp)	3°C /second max.
<b>Preheat</b>	
-Temperature Min (Ts <sub>min</sub> )	150°C
-Temperature Max (Ts <sub>max</sub> )	200°C
-Time (ts <sub>min</sub> to ts <sub>max</sub> )	60-120 seconds
<b>Time maintained above:</b>	
-Temperature (T <sub>i</sub> )	217°C
-Time (t <sub>i</sub> )	60-150 seconds
Peak/Classification Temperature (Tp)	240°C MAX
Time within 5°C of actual Peak Temperature (tp)	20-40 seconds
Ramp-Down Rate	6°C/seconds max
Time 25°C to Peak Temperature	6minutes max.

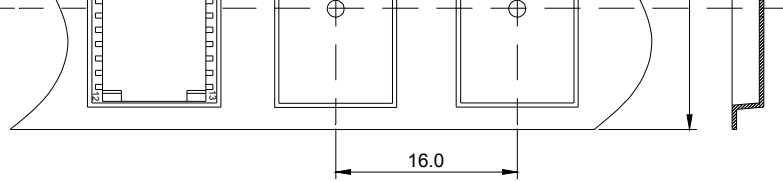


元册科技股份有限公司

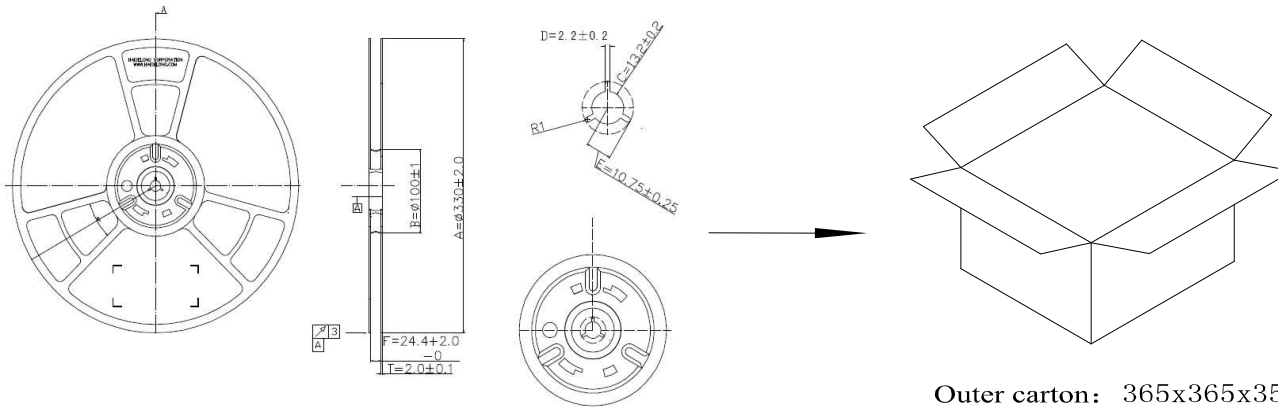
YUAN DEAN SCIENTIFIC CO., LTD.

TITLE	100/1000BASE-T FILTER		
P/N	30F-81ANL	REV.	3.1
PAGE NO	2-3	DATE	2020-1-21
AP'PD	Liu ZhiJun	DWN	Chen JiaPei

Mechanicals



Tape & Reel



<p>RoHS Compliant</p>	<p>元册科技股份有限公司 YUAN DEAN SCIENTIFIC CO., LTD.</p>				
	<p>TITLE</p> <p>100/1000BASE-T FILTER</p>				
	<table border="1"> <tr> <td>P/N</td> <td>30F-81ANL</td> <td>REV.</td> <td>3.1</td> </tr> </table>	P/N	30F-81ANL	REV.	3.1
	P/N	30F-81ANL	REV.	3.1	
	<table border="1"> <tr> <td>PAGE NO</td> <td>3-3</td> <td>DATE</td> <td>2020-1-21</td> </tr> </table>	PAGE NO	3-3	DATE	2020-1-21
PAGE NO	3-3	DATE	2020-1-21		
<table border="1"> <tr> <td>AP'PD</td> <td>Liu ZhiJun</td> <td>DWN</td> <td>Chen JiaPei</td> </tr> </table>	AP'PD	Liu ZhiJun	DWN	Chen JiaPei	
AP'PD	Liu ZhiJun	DWN	Chen JiaPei		

## X-ON Electronics

Largest Supplier of Electrical and Electronic Components

*Click to view similar products for [Audio Transformers](#) / [Signal Transformers](#) category:*

*Click to view products by [YDS](#) manufacturer:*

Other Similar products are found below :

[749023020](#) [CU4S0506AT-2655-H1](#) [MET-58](#) [PE-64961](#) [H5008FNL](#) [H5020FNLT](#) [H5079NLT](#) [1879479-1](#) [1879564-1](#) [PA1277NLT](#)  
[PA1528ANL](#) [PA2007NLT](#) [FL1066](#) [T1137NLT](#) [T3012NL](#) [PE-65812FNL](#) [TTC-100](#) [TTC-143-H](#) [TTC-5032-1](#) [HX1234NLT](#) [HX5008FNLT](#)  
[100B-1001XNL](#) [PA1282NLT](#) [HX5084FNL](#) [T1108NLT](#) [2-1879391-5](#) [TTC-266-2](#) [3-1879385-4](#) [PA1032NL](#) [H2009FNLT](#) [PA0801NLT](#)  
[TTC-266](#) [X-1619](#) [SM51295PEL](#) [T5008NLT](#) [PE-68517T](#) [HX1294NLT](#) [HX5084FNLT](#) [H5015FNLT](#) [H6080NLT](#) [CX2024NL](#) [HX1294FNLT](#)  
[TX1473NLT](#) [PE-69011NLT](#) [CX2047LNLT](#) [CX2043LNLT](#) [DCT20EFD-U32S003](#) [H5120NLT](#) [H7137FNLT](#) [H1259NLT](#)