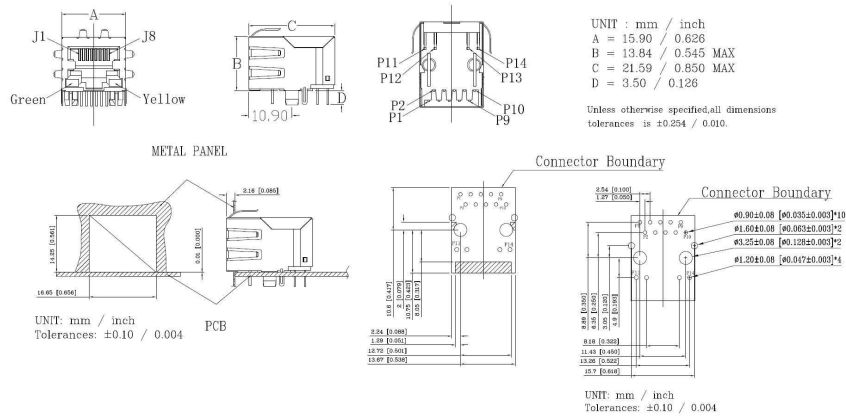
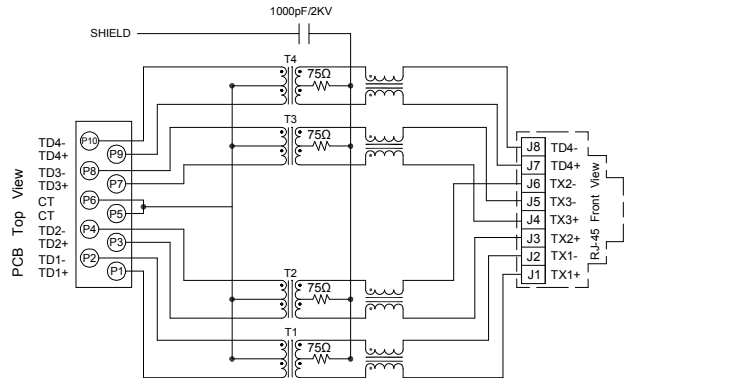


# 一、外观尺寸图



# 二、线路图



Standard LED	Wavelength	Forward*V(MAX)	TYP
Green	565nm	2.5v	2.2v
Yellow	585nm	2.5v	2.1v

With a forward current of 20mA

# 三、电气特性@25°C:

- 圈比( $\pm 5\%$ )(P1-P2):(J1-J2) = 1:1  
 (P3-P4):(J3-J6) = 1:1  
 (P7-P8):(J4-J5) = 1:1  
 (P9-P10):(J7-J8) = 1:1
- 初级电感(100KHz/0.1V@8mA): 350uH MIN@0°C TO +70°C
- 直流电阻: 1.2  $\Omega$  MAX
- 插入损耗(dB MAX): -1.0dB(1-100MHz), -1.2dB(100-125MHz)
- 反馈损耗(dB MIN): -16dB(1-40MHz), -12dB(40-60MHz), -10dB(60-80MHz),  
 -8dB(80-100MHz)
- 串音干扰(dB MIN): -30dB(1-100MHz)
- 共模抑制(dB MIN): -30dB(1-100MHz),
- 耐压(Pri to Sec): 2250VDC
- 操作温度: -40°C TO +85°C
- 符合 RoHS 标准

	<b>元册科技股份有限公司</b> YUAN DEAN SCIENTIFIC CO., LTD.			
	TITLE		<b>RJ45 1000 BASE-T SINGLE PORT                  JACK MAGNETICS</b>	
	P/N	48F-01BGY2DPLZXNL	REV.	1.0
	PAGE NO	1-4	DATE	2017-12-18
AP'PD	Hsu	DWN	Zhou sheng mei	

REV.	DESCRIPTION	DATE	DWN	AP'PD

## 四、材料

REV.	DESCRIPTION	DATE	DWN	AP'PD

### Notes:

- CONNECTOR MATERIAL:  
 HOUSING:THERMOPLASTIC BLACK UL94 V-0  
 SHIELD:Brass  
 SHIELD PLATING:NICKEL  
 CONTACT:PHOSPHOR BRONZE  
 CONTACT PLATING: SELECTIVE GOLD, 6 MICRO-INCHS MIN IN CONTACT AREA
- PIN NOT ELECTRICALLY CONNECTED MAYBE OMITTED SEE ELECTRICAL DRAWING FOR OMITTED PINS
- RJ45 CAVITIES CONFORM TO FCC RULES AND REGULATION PART 68.
- STORAGE TEMPERATURE T=-40° C TO +85° C.

## 六、包装

- 包装单位 : 60 PCS/盘
- 外箱单位: 1200 pcs/ 20 盘/箱

## 五、产品型号:

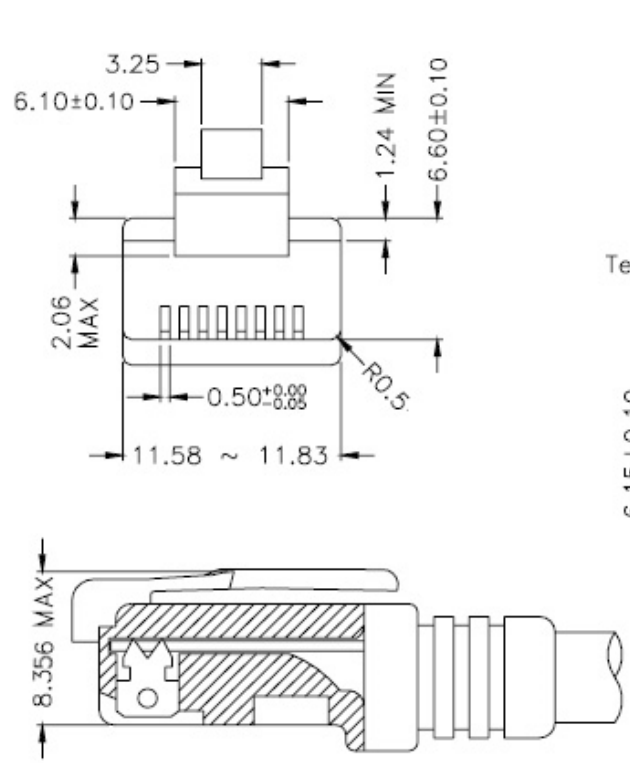
48F-01BGY2DPLZXNL

RoHS version  
 Gold Plating:1=3u",2=6u",3=15u",4=30u",5=50u",

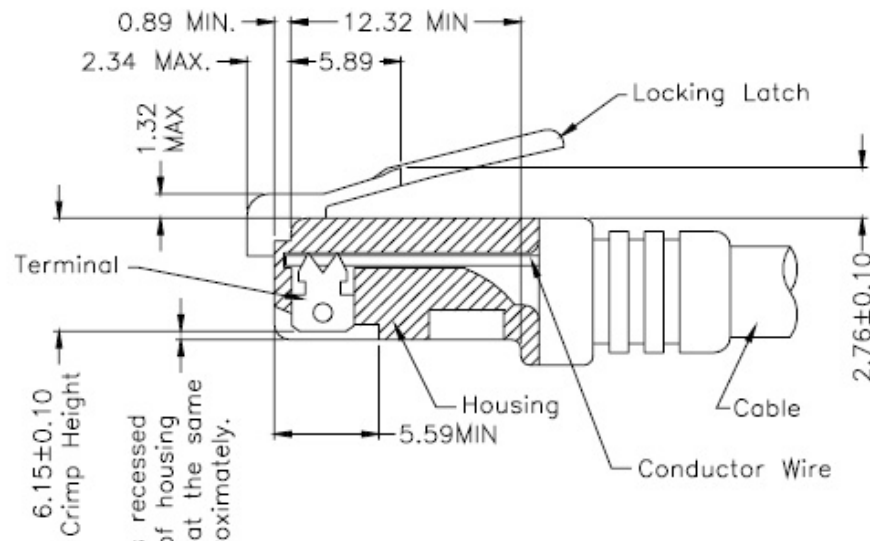
	 <b>元册科技股份有限公司</b> YUAN DEAN SCIENTIFIC CO., LTD.			
	TITLE	RJ45 1000 BASE-T SINGLE PORT JACK MAGNETICS		
	P/N	48F-01BGY2DPLZXNL	REV.	1.0
	PAGE NO	2-4	DATE	2017-12-18
	AP'PD	Hsu	DWN	Zhou sheng mei

# 七、RJ 插头规范

REV.	DESCRIPTION	DATE	DWN	AP'PD



FOLLOW SPECIFICATION : FCC, PART 68, SUBPART F  
FIGURE 68.500 (C)(2)(ii)



All contacts recessed below top of housing and must be at the same height approximately.

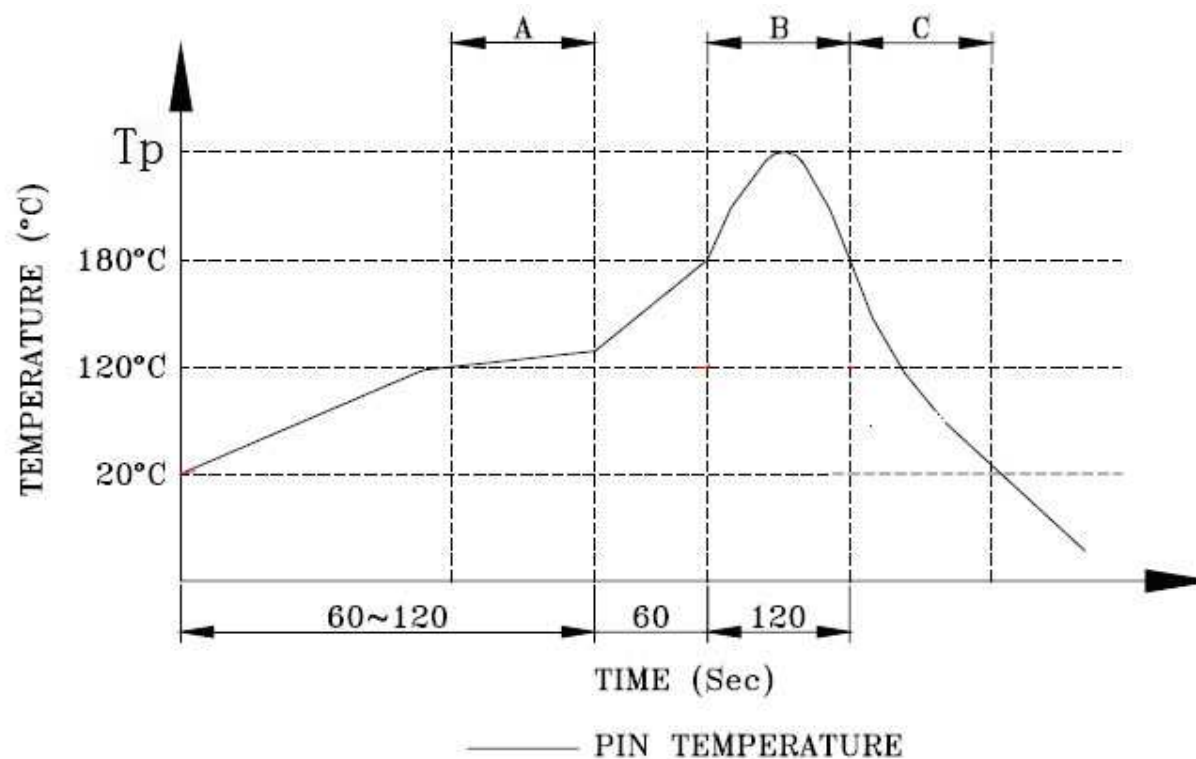
FOLLOW SPECIFICATION : FCC, PART 68,  
SUBPART F FIGURE 68.500 (C)(2)(i)  
AND IEC 603-7 FIGURE 23 & 24

STANDARD MODULAR PLUG ASSEMBLY

	<b>元册科技股份有限公司</b> YUAN DEAN SCIENTIFIC CO., LTD.			
	TITLE	<b>RJ45 1000 BASE-T SINGLE PORT JACK MAGNETICS</b>		
	P/N	48F-01BGY2DPLZXNL	REV.	1.0
	PAGE NO	3-4	DATE	2017-12-18
	AP'PD	Hsu	DWN	Zhou sheng mei

# 八、波峰焊建议

REV.	DESCRIPTION	DATE	DWN	AP'PD



A. Preheating    B. Soldering    C. Gradual Cooling

## 建议的波峰焊曲线

1. 峰值温度 (TP) : 250 ± 10°C

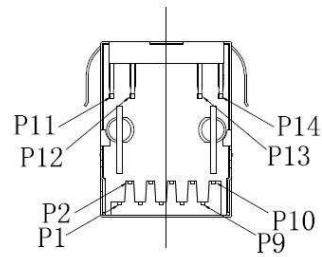
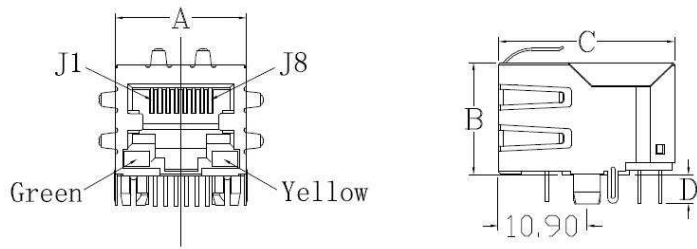
2. 峰值温度 (TP) 时间: 10sec max



元册科技股份有限公司

YUAN DEAN SCIENTIFIC CO., LTD.

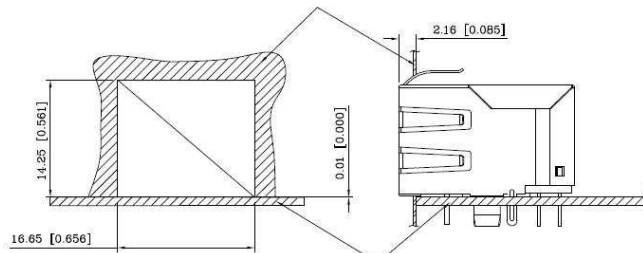
TITLE	RJ45 1000 BASE-T SINGLE PORT JACK MAGNETICS		
P/N	48F-01BGY2DPLZXNL	REV.	1.0
PAGE NO	4-4	DATE	2017-12-18
AP'PD	Hsu	DWN	Zhou sheng mei



UNIT : mm / inch  
 A = 15.90 / 0.626  
 B = 13.84 / 0.545 MAX  
 C = 21.59 / 0.850 MAX  
 D = 3.50 / 0.126

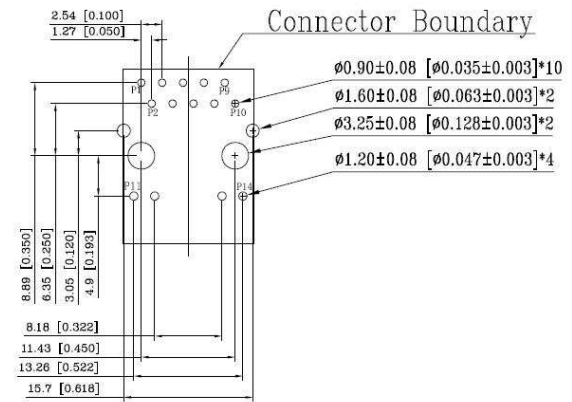
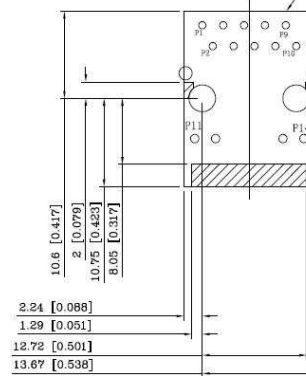
Unless otherwise specified, all dimensions  
 tolerances is  $\pm 0.254 / 0.010$ .

METAL PANEL



UNIT: mm / inch  
 Tolerances:  $\pm 0.10 / 0.004$  PCB

Connector Boundary



UNIT: mm / inch  
 Tolerances:  $\pm 0.10 / 0.004$

## X-ON Electronics

Largest Supplier of Electrical and Electronic Components

*Click to view similar products for [Modular Connectors](#) / [Ethernet Connectors](#) category:*

*Click to view products by [YDS](#) manufacturer:*

Other Similar products are found below :

[8949-H88/06BLKA/SN](#) [74441-0010/BKN](#) [PHP-6P6C-5](#) [GAX-3-66](#) [GAX-8-62](#) [GDCX-PN-66](#) [GLX-A-44](#) [GLX-N-1010M-BLK](#) [GMX-SMT4-N-88](#) [GSGX-N-2-88](#) [GSGX-N-4-88](#) [GSX-NS2-88-3.05](#) [GSX-NS-88-3.68](#) [PT-108A-8C-UL](#) [PTS-J531-8CS-50UL](#) [1-1775629-2](#) [A-2014-0-4](#) [GWLX-S9-88-YG](#) [DC-1021-8-WH-6](#) [1300530003](#) [1324640-4](#) [RJ11FTVC2G](#) [RJ11FTVC2N](#) [RJFTVX2SA1G](#) [132764-001](#) [1413235](#) [MPS88RX-5000](#) [E5288-S000K3-L](#) [155302-001](#) [AX101050](#) [AX101063](#) [AX101065](#) [AX101072](#) [AX101307](#) [AX101314](#) [AX101315](#) [AX101318](#) [AX102271](#) [AX102288](#) [AX102651](#) [AX102660](#) [HXJ5EOR](#) [J0012D21NL](#) [J0026D01ENL](#) [PC4D0018P](#) [8949-B88/6](#) [2-6609208-5](#) [937-SP-3088-2PC-A192](#) [303066VFL](#) [303068V](#)