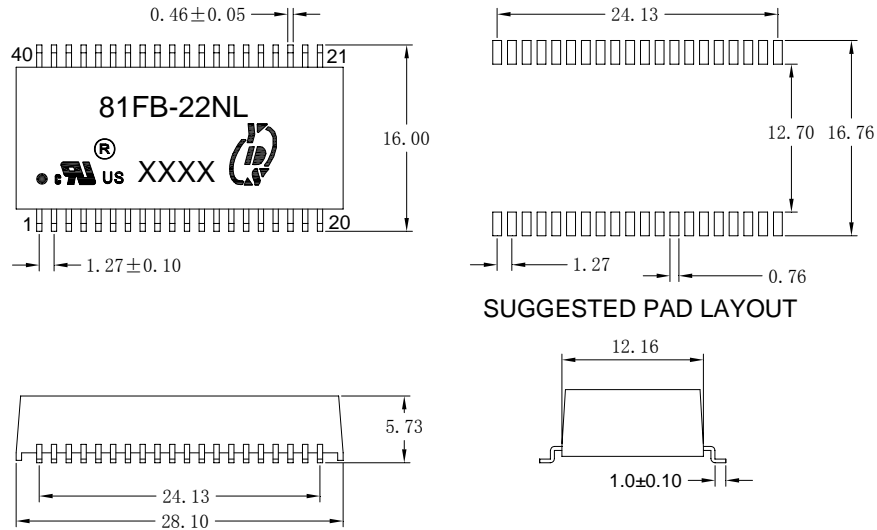


REV.	DESCRIPTION	DATE	DWN	AP'PD

一、Mechanicals Dimensions

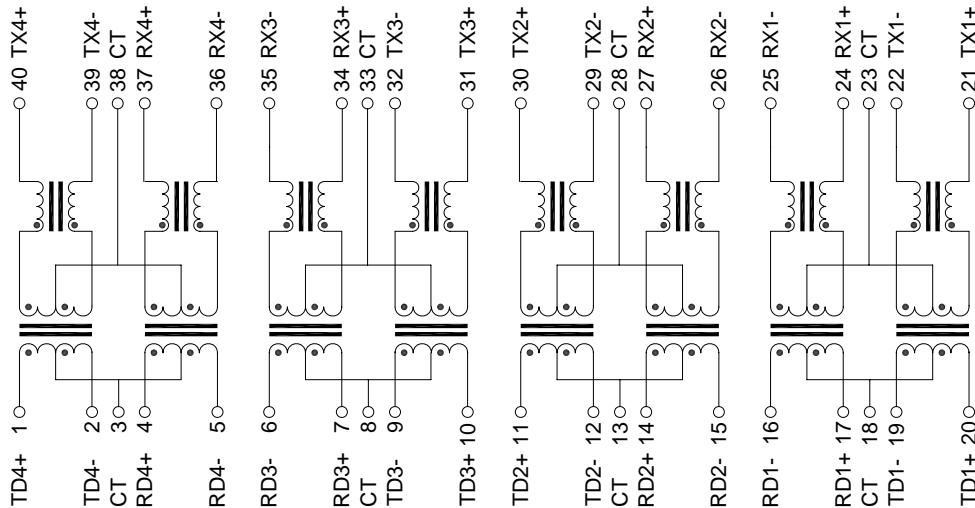


UNIT:mm Unless otherwise specified,all tolerances are ± 0.25

三、ELECTRICAL SPECIFICATIONS@25°C:

1. Turn Ratio($\pm 3\%$): 1CT:1CT
2. OCL(100KHz/0.1V@8mA): 350uH MIN
3. Insertion Loss(dB TYP): -0.5dB (0.1-100MHz)
4. Return Loss (dB MIN): -18dB(2-30MHz), -14.4dB(40MHz),
-13.1dB(50MHz), -12dB (60-80MHz)
5. HI-POT: 1500Vrms/0.5mA/60Sec or 1650Vrms/0.5mA/2Sec
6. Operating Temperature:-40°C TO +85°C
7. RoHS compliance:YES

二、Schematics



Ref: BOM-AC70



元册科技股份有限公司

YUAN DEAN SCIENTIFIC CO., LTD.

TITLE 10/100BASE-T MAGANETIC MODULE

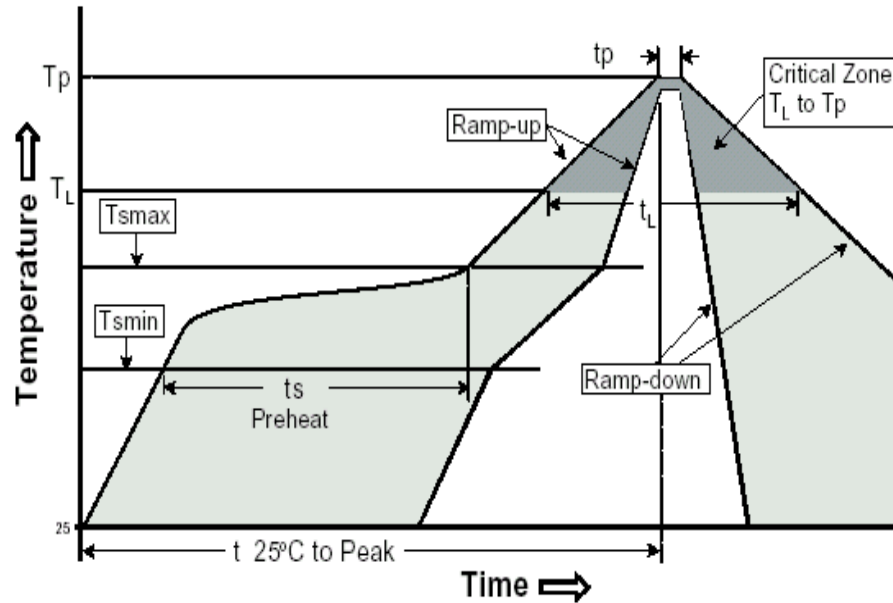
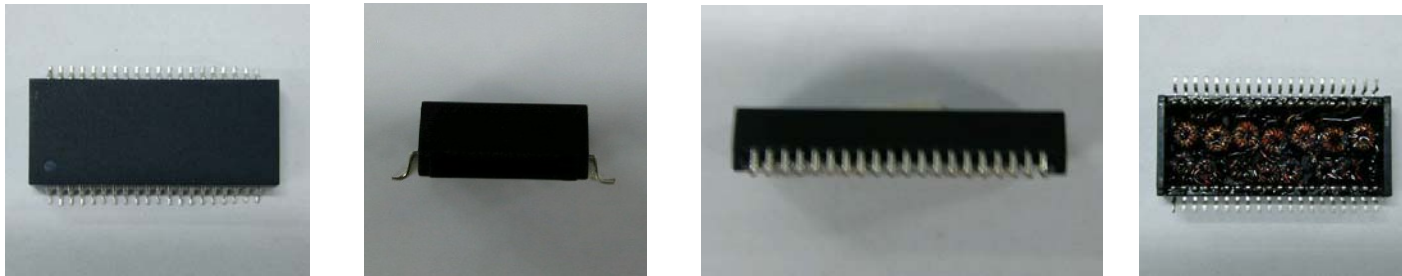
P/N 81FB-22NL REV. 0

PAGE NO 1-3 DATE 2009-9-23

AP'PD Li YueSheng DWN HuXiaoLan

四、Our RoHS parts just can withstand IR Reflow peak temperature: 245degC+/-5degC as the following profile:

REV.	DESCRIPTION	DATE	DWN	AP'PD



Profile Feature	Pb-Free Assembly
Average Ramp-Up Rate ($T_{s\ max}$ to T_p)	3°C /second max.
Preheat -Temperature Min ($T_{s\ min}$) -Temperature Max ($T_{s\ max}$) -Time ($t_{s\ min}$ to $t_{s\ max}$)	150°C 200°C 60-180 seconds
Time maintained above: -Temperature (T_L) -Time (t_L)	217°C 60-150 seconds
Peak/Classification Temperature (T_p)	245±5°C
Time within 5°C of actual Peak Temperature (t_p)	20-40 seconds
Ramp-Down Rate	6°C/seconds max
Time 25°C to Peak Temperature	6 minutes max.



元册科技股份有限公司

YUAN DEAN SCIENTIFIC CO., LTD.

TITLE

10/100BASE-T MAGANETIC MODULE

P/N

81FB-22NL

REV.

0

PAGE NO

2-3

DATE

2009-9-23

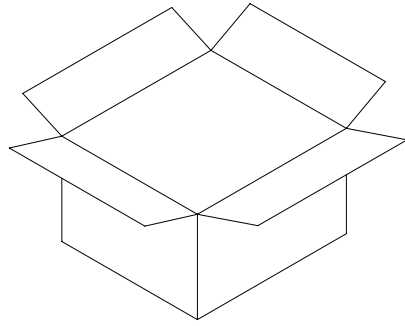
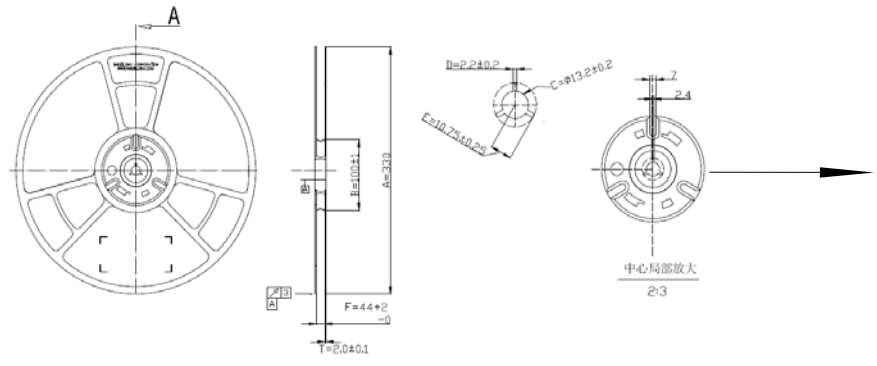
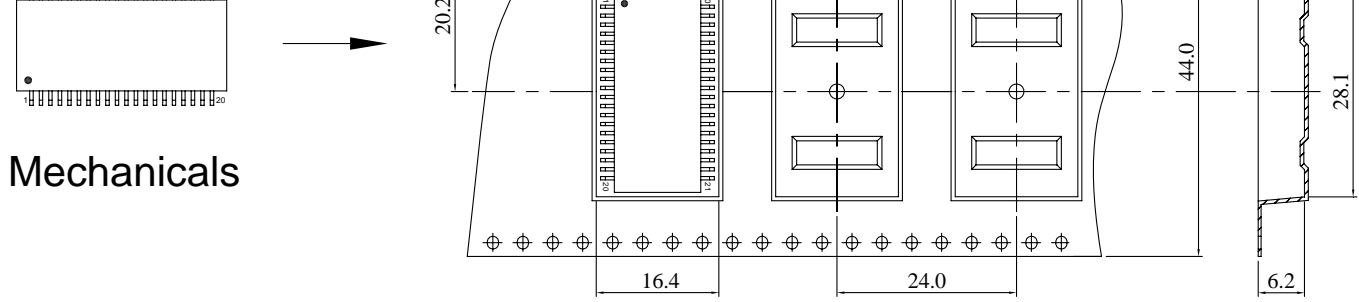
AP'PD

Li YueSheng

DWN

HuXiaoLan

Mechanicals



Outer carton: 365x365x350mm



元册科技股份有限公司
YUAN DEAN SCIENTIFIC CO., LTD.

TITLE	10/100BASE-T MAGANETIC MODULE		
P/N	81FB-22NL	REV.	0
PAGE NO	3-3	DATE	2009-9-23
AP'PD	Li YueSheng	DWN	HuXiaoLan

X-ON Electronics

Largest Supplier of Electrical and Electronic Components

Click to view similar products for [Audio Transformers](#) / [Signal Transformers](#) category:

Click to view products by [YDS](#) manufacturer:

Other Similar products are found below :

[CU4S0506AT-2655-H1](#) [CX2041NLT](#) [MGPWT-00449-P](#) [PE-64961](#) [H1302FNLT](#) [H5004ENLT](#) [H5008FNL](#) [H5012FNL](#) [H5020FNLT](#)
[H5077NLT](#) [H5079NLT](#) [H5084FNLT](#) [1812WBT2-4](#) [1879479-1](#) [HX2260FNL](#) [PA1528ANL](#) [EX2024FNL](#) [T1137NLT](#) [T3012NL](#) [PE-](#)
[65812FNL](#) [PE-65848FNLT](#) [H1174FNL](#) [H1302FNL](#) [H5015FNL](#) [H5019EFNL](#) [H5062FNLT](#) [CX2047LNL](#) [MET-14](#) [MGPWT-00059-P](#)
[MGPWT-00266-P](#) [MGPWT-00278-P](#) [MGPWT-00431-P](#) [TTC-100](#) [TTC-143-H](#) [BX1194WNLT](#) [HX1234NLT](#) [HX5008FNLT](#) [HX5019FNL](#)
[HX5084NL](#) [3-1879385-5](#) [TX1263NLT](#) [4-1879391-0](#) [100213](#) [T1142NL](#) [HX6101FNL](#) [HX5084FNL](#) [HX1148NL](#) [HX5020FNLT](#)
[HX5014FNLT](#) [T1124NL](#)