

### 特征 Features

|                   |                            |
|-------------------|----------------------------|
| 1-7瓦              | 1-7watts                   |
| 精度±5%，±2%和±1%     | Tolerance ±5%, ±2% and ±1% |
| 电阻温度系数低至±40ppm/°C | TCR down to ±40ppm/°C      |
| 可焊性好              | Excellent Solderability    |
| 大功率               | High power                 |
| 符合RoHS、REACH要求    | RoHS and REACH compliant   |
| 特殊规格可以订做          | Customizable               |

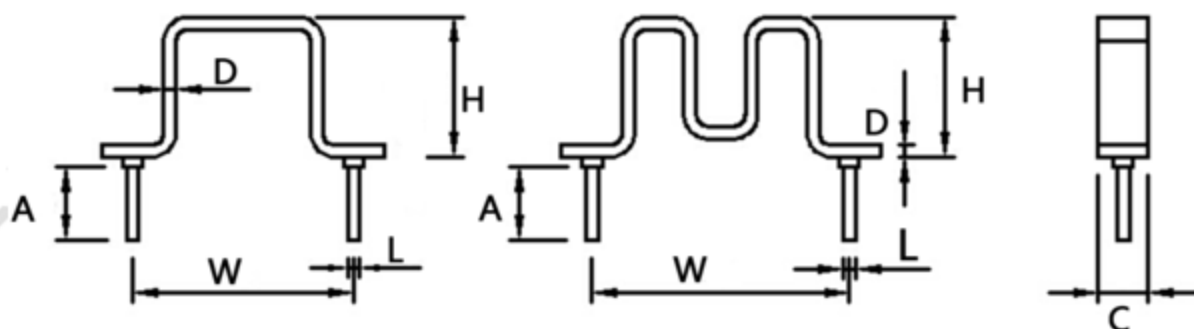
### 应用范围 Applications

|      |                               |
|------|-------------------------------|
| 电流采样 | Current Sensing               |
| 驱动技术 | Drive technology              |
| 家用电器 | Household Electric Appliances |
| 变频器  | Frequency converter           |
| 电源产品 | Power supply products         |



### 标准尺寸规格 Standard Size

| C/mm    | W/mm  | H/mm   | A/mm    | L/mm        |
|---------|-------|--------|---------|-------------|
| 2.4~3.3 | 10~35 | 7.5~30 | 4.5±0.2 | 0.8/1.0±0.1 |



订货请提供:

- 1.跨距"W"
- 2.高度范围"H"
- 3.阻值和额定功率

NOTE:

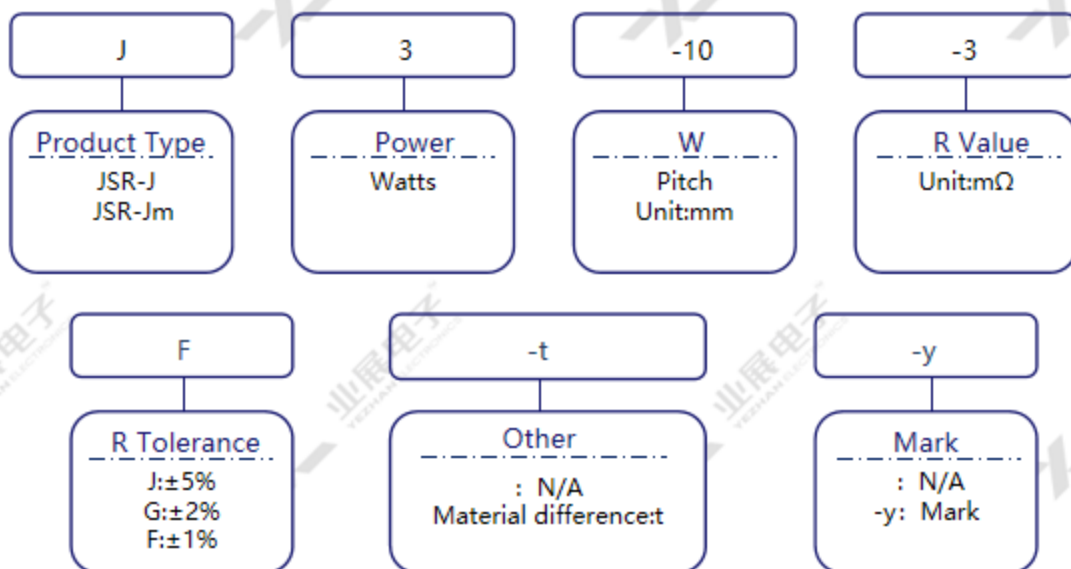
Contact YeZhan for:

- 1.Variations of "W"
- 2.Variations of "H"
- 3.Value and rated power

采样电阻 (JSR) 线厚度、常规跨距及可选阻值 (mΩ) 对照表Type Data

| 线厚度<br>/mm | 过电流<br>/A | 跨距及对应阻值范围 (mΩ) |         |         |         |         | 材料<br>Materials | TCR<br>/ppm/°C |
|------------|-----------|----------------|---------|---------|---------|---------|-----------------|----------------|
|            |           | 10             | 15      | 20      | 25      | 30      |                 |                |
| 1.3×3.5    | 30        | 2.5~7          | 2.8~7.6 | 3.6~8.4 | 4~8.8   | 4.4~9   | Constantan      | ±40            |
| 1.1×3.3    | 30        | 2~5.5          | 2.5~6   | 3~6.5   | 3.5~7   | 4~7.5   | Copper-Nickel   | ±200           |
|            | 25.5      | 7~20           | 8~20    | 10~23   | 10~23   | 13~25   | NiCr            | ±120           |
|            | 28        | 3~9            | 3.5~10  | 4.5~10  | 5~11    | 5.5~11  | Constantan      | ±40            |
| 1.1×2.8    | 25.5      | 2.4~6.5        | 3~7     | 3.5~7.7 | 4.2~8.2 | 4.8~8.8 | Copper-Nickel   | ±200           |
| 0.9×2.7    | 19        | 5~14           | 6~15    | 7.5~15  | 8.5~16  | 10~17.5 | Constantan      | ±40            |
| 0.85×2.4   | 15        | 5~16           | 6~17    | 7.5~18  | 9~19    | 10~20   | Constantan      | ±40            |
| 0.8×3.3    | 20        | 4~12           | 5~13    | 6~14    | 7~15    | 8~16    | Constantan      | ±40            |
| 0.8×3.3    | 19        | 9~27           | 11~28   | 14~31   | 15~32   | 18~36   | NiCr            | ±120           |
| 0.6×2.4    | 11.5      | 9~22           | 10~24   | 12~25   | 13~26   | 15~28   | Constantan      | ±40            |
| 0.6×2.4    | 10        | 21~48          | 24~53   | 27~56   | 30~57   | 35~62   | NiCr            | ±120           |
| 0.5×3.3    | 13        | 6~20           | 8~22    | 9~23    | 11~24   | 12~26   | Constantan      | ±40            |
| 0.5×3.3    | 11        | 14~44          | 16~47   | 20~50   | 23~53   | 27~58   | NiCr            | ±120           |
| 0.4×3.3    | 10        | 8~25           | 10~27   | 12~29   | 14~31   | 16~33   | Constantan      | ±40            |
| 0.4×3.3    | 9         | 21~56          | 25~60   | 29~65   | 33~69   | 38~74   | NiCr            | ±120           |
| 0.4×2.4    | 7.5       | 13~35          | 15~37.5 | 17.5~40 | 20~42   | 23~45   | Constantan      | ±40            |
| 0.4×2.4    | 7         | 29~78          | 34~84   | 40~90   | 45~95   | 51~101  | NiCr            | ±120           |
| 0.36×2.4   | 6         | 28~80          | 33~87   | 40~94   | 48~100  | 55~107  | NiCr            | ±120           |
| 0.3×3.3    | 8         | 9~43           | 12~46   | 14~48   | 16~50   | 19~53   | Constantan      | ±40            |
| 0.3×3      | 7         | 10~45          | 13~50   | 15~53   | 18~56   | 21~58   | Constantan      | ±40            |

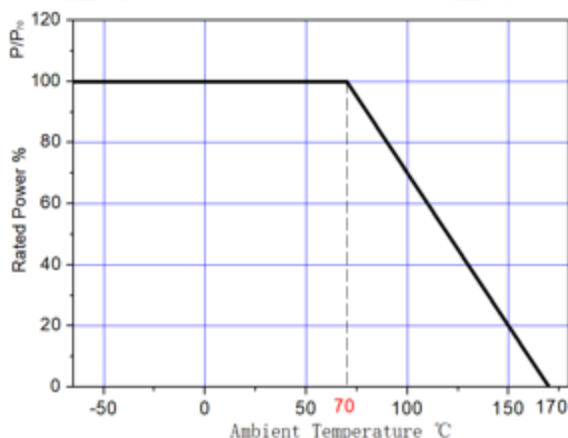
### 订购信息 Ordering Information



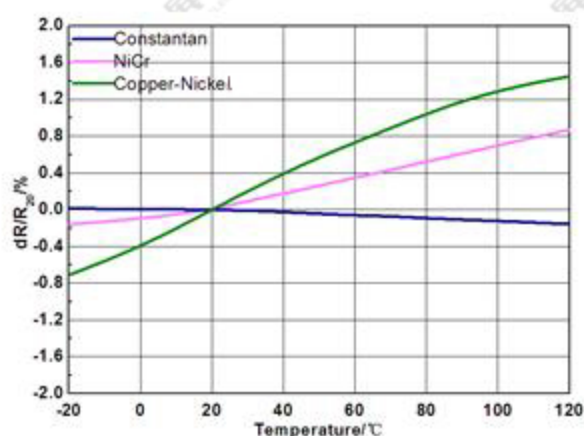
| 代号<br>Symbol | 材料<br>Materials      | 电阻率<br>Resistance Rate |
|--------------|----------------------|------------------------|
| 1            | 康铜<br>Constantan     | 48μΩ . cm              |
| n            | 镍铬<br>NiCr           | 108μΩ . cm             |
| 6            | 铜镍<br>Copper-Nickel  | 30μΩ . cm              |
| c            | 镀锡铜<br>Tinned copper | /                      |

### 工作特性 Performance Data

降功率曲线 Power Derating

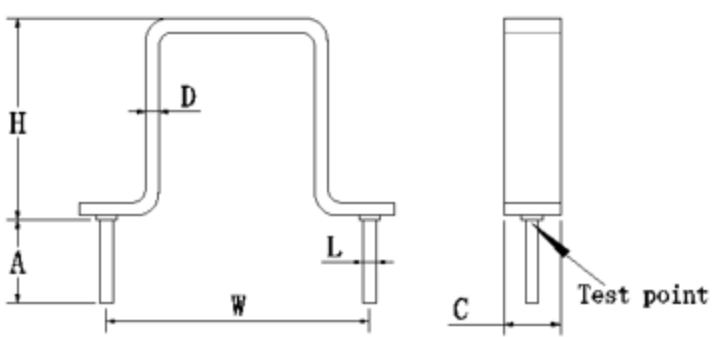


温度系数曲线 TCR Derating



TCR (ppm/°C) : Test conditions at 20°C~120°C.

### 产品尺寸和性能 Product Size And Performance

| 项目<br>Items                   | 参数<br>Parameters   |
|-------------------------------|--|
| 材料 Material                   | 康铜 Constantan/镀锡铜 Tinned Copper  |
| 图解<br>Diagrammatize           |  |
| A                             | 4.5mm±0.5mm  |
| H                             | 7.4mm±2.0mm  |
| W                             | 10mm±0.5mm   |
| C                             | 3.3mm±0.2mm  |
| D                             | 1.1mm±0.1mm  |
| L                             | 0.8mm±0.1mm  |
| 阻值<br>Value                   | 3mΩ±1%   |
| 额定功率<br>rated power           | 3W   |
| 印字<br>Mark                    | R003F  |
| 过电流<br>overcurrent            | 28A  |
| 使用温度<br>operating temperature | -65°C~170°C  |

### » 耐久性测试 Endurance Test

| Items                        | Additional Requirements  | Reference                 | Limits                  |
|------------------------------|--|---------------------------|-------------------------|
| Operational Life             | 70±2°C, 1000h<br>Rated voltage (90 min ON, 30 min OFF)   | MIL-STD-202<br>Method 108 | ±1%                     |
| Biased Humidity              | 1000hrs 85°C/85%RH. Note:Specified conditions:10% of operating power.  | MIL-STD-202<br>Method 103 | ±1%                     |
| Temperature Cycling          | 1000 Cycles(-55°C to +125°C)   | JESD22<br>Method JA-104   | ±1%                     |
| Solderability                | 245°C±5°C,5s±0.5s  | J-STD-002C                | 95% Coverage<br>Minimum |
| Short Time Overload          | 5×Rated power for 5 s  | MIL-STD-202<br>Method 301 | ±1%                     |
| Resistance to Soldering Heat | 260°C±5°C, 10s±1s  | MIL-STD-202<br>Method 210 | ±0.5%                   |
| Vibration                    | (10 - 2000 Hz) ,5 g's for 20 min, 12 cycles each of 3axis.   | MIL-STD-202<br>Method 204 | ±0.5%                   |
| Terminal strength            | Line thickness > 0.5mm, 13kg/10sec. Car application rules<br>Line thickness > 0.5mm, 10kg/10sec . Non-vehicle application<br>Line thickness ≤ 0.5mm, pull through flat wire shall prevail. |                           | ±1%                     |

### » 包装 Packaging

散装, 内外双包装 Bulk, Internal And External Package

## 版本信息 Version History

| 版本<br>Version | 日期<br>Date  | 修订描述<br>Description of amendment | 拟定<br>Draft | 审核<br>Checked |
|---------------|-------------|----------------------------------|-------------|---------------|
| A1.0          | 21-Sep-2022 | 首版发行                             | 张雅兰         | 胡紫阳           |
|               |             |                                  |             |               |

## X-ON Electronics

Largest Supplier of Electrical and Electronic Components

*Click to view similar products for [Current Sense Resistors - SMD category](#):*

*Click to view products by [Yezhan manufacturer](#):*

Other Similar products are found below :

[CRL0603-FW-R700ELF](#) [PFS35-200RF1](#) [CD2015FC-0.10-1%](#) [PR2512FKF7W0R004L](#) [RC1005F124CS](#) [RL73K3AR56JTDF](#) [RL7520WT-R001-F](#) [RL7520WT-R009-G](#) [RL7520WT-R020-F](#) [LRC-LR2010LF-01-R033J](#) [LRC-LR2512LF-01-R820J](#) [65709-330](#) [SP1R12J](#) [RL7520WT-R039-G](#) [RL7520WT-R002-F](#) [RL7520WT-R005-F](#) [KRL1632E-C-R200-F-T5](#) [KRL1632E-C-R200-F-T1](#) [Y14880R02000B9R](#) [RLP73M2AR075FTDF](#) [SR731ERTTP5R10F](#) [SR731ERTTP100J](#) [SR731ERTTP6R80F](#) [SR731ERTTP3R9J](#) [SR731ERTTP8R2J](#) [SR731ERTTP2R0J](#) [SR731ERTTP4R7J](#) [SR731ERTTP9R1J](#) [SR731ERTTP1R0J](#) [SR731ERTTP2R2J](#) [SR731ERTTP5R1J](#) [SR731ERTTP6R8J](#) [SR731ERTTP9R10F](#) [FCSL64R007JER](#) [73L4R10G](#) [73L4R75G](#) [73L4R33G](#) [73M1R051F](#) [73WL4R020J](#) [73L2R68J](#) [73L2R22J](#) [73L2R33J](#) [CC1512FC-0.015-5%](#) [ULRG2-2512-R0075-F-LF-SLT](#) [ULR3N-R00075FT2](#) [ULR3N-R0009FT2](#) [SLN3TTED80L6F](#) [JW104X15X4](#) [JW105X19X5](#) [HVR06FTEV2403](#)