

特征 Features

1-7瓦	1-7watts
精度±5%，±2%和±1%	Tolerance ±5%, ±2% and ±1%
电阻温度系数低至±40ppm/°C	TCR down to ±40ppm/°C
可焊性好	Excellent Solderability
大功率	High power
符合RoHS、REACH要求	RoHS and REACH compliant
特殊规格可以订做	Customizable

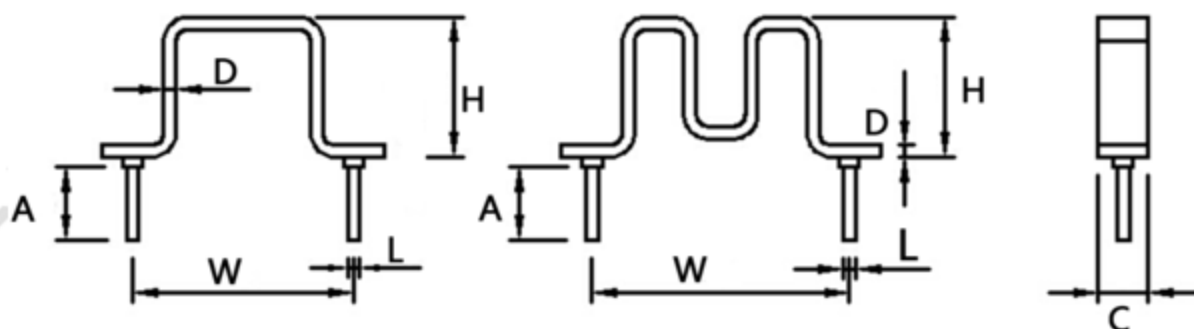
应用范围 Applications

电流采样	Current Sensing
驱动技术	Drive technology
家用电器	Household Electric Appliances
变频器	Frequency converter
电源产品	Power supply products



标准尺寸规格 Standard Size

C/mm	W/mm	H/mm	A/mm	L/mm
2.4~3.3	10~35	7.5~30	4.5±0.2	0.8/1.0±0.1



订货请提供:

- 1.跨距"W"
- 2.高度范围"H"
- 3.阻值和额定功率

NOTE:

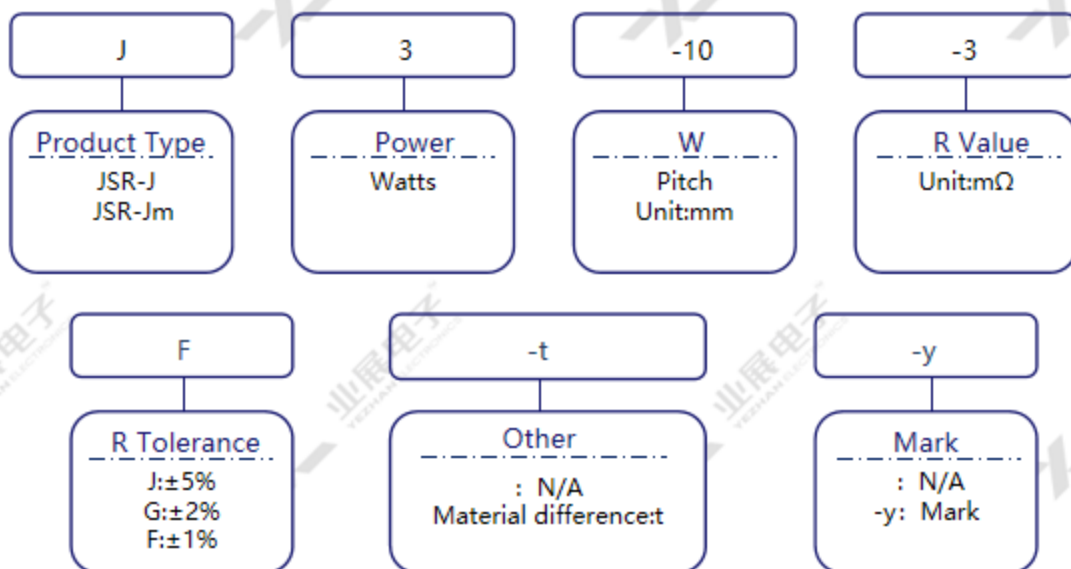
Contact YeZhan for:

- 1.Variations of "W"
- 2.Variations of "H"
- 3.Value and rated power

采样电阻 (JSR) 线厚宽、常规跨距及可选阻值 (mΩ) 对照表Type Data

线厚宽 /mm	过电流 /A	跨距及对应阻值范围 (mΩ)					材料 Materials	TCR /ppm/°C
		10	15	20	25	30		
1.3×3.5	30	2.5~7	2.8~7.6	3.6~8.4	4~8.8	4.4~9	Constantan	±40
1.1×3.3	30	2~5.5	2.5~6	3~6.5	3.5~7	4~7.5	Copper-Nickel	±200
	25.5	7~20	8~20	10~23	10~23	13~25	NiCr	±120
	28	3~9	3.5~10	4.5~10	5~11	5.5~11	Constantan	±40
1.1×2.8	25.5	2.4~6.5	3~7	3.5~7.7	4.2~8.2	4.8~8.8	Copper-Nickel	±200
0.9×2.7	19	5~14	6~15	7.5~15	8.5~16	10~17.5	Constantan	±40
0.85×2.4	15	5~16	6~17	7.5~18	9~19	10~20	Constantan	±40
0.8×3.3	20	4~12	5~13	6~14	7~15	8~16	Constantan	±40
0.8×3.3	19	9~27	11~28	14~31	15~32	18~36	NiCr	±120
0.6×2.4	11.5	9~22	10~24	12~25	13~26	15~28	Constantan	±40
0.6×2.4	10	21~48	24~53	27~56	30~57	35~62	NiCr	±120
0.5×3.3	13	6~20	8~22	9~23	11~24	12~26	Constantan	±40
0.5×3.3	11	14~44	16~47	20~50	23~53	27~58	NiCr	±120
0.4×3.3	10	8~25	10~27	12~29	14~31	16~33	Constantan	±40
0.4×3.3	9	21~56	25~60	29~65	33~69	38~74	NiCr	±120
0.4×2.4	7.5	13~35	15~37.5	17.5~40	20~42	23~45	Constantan	±40
0.4×2.4	7	29~78	34~84	40~90	45~95	51~101	NiCr	±120
0.36×2.4	6	28~80	33~87	40~94	48~100	55~107	NiCr	±120
0.3×3.3	8	9~43	12~46	14~48	16~50	19~53	Constantan	±40
0.3×3	7	10~45	13~50	15~53	18~56	21~58	Constantan	±40

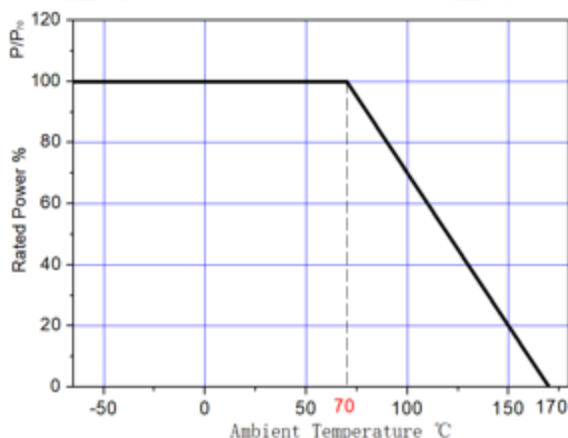
订购信息 Ordering Information



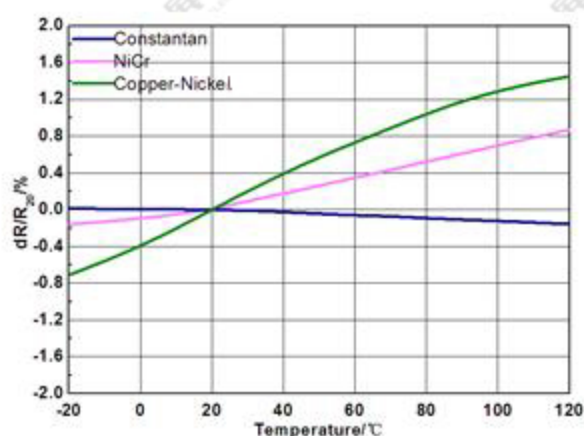
代号 Symbol	材料 Materials	电阻率 Resistance Rate
1	康铜 Constantan	48μΩ . cm
n	镍铬 NiCr	108μΩ . cm
6	铜镍 Copper-Nickel	30μΩ . cm
c	镀锡铜 Tinned copper	/

工作特性 Performance Data

降功率曲线 Power Derating

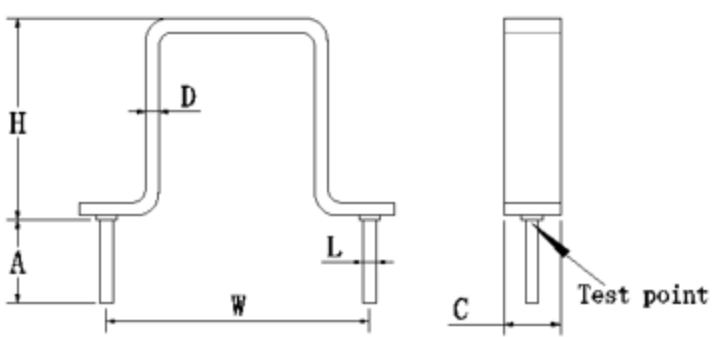


温度系数曲线 TCR Derating



TCR (ppm/°C) : Test conditions at 20°C~120°C.

产品尺寸和性能 Product Size And Performance

项目 Items	参数 Parameters
材料 Material	康铜 Constantan/镀锡铜 Tinned Copper
图解 Diagrammatize	
A	4.5mm±0.5mm
H	7.4mm±2.0mm
W	10mm±0.5mm
C	3.3mm±0.2mm
D	1.1mm±0.1mm
L	0.8mm±0.1mm
阻值 Value	3mΩ±1%
额定功率 rated power	3W
印字 Mark	R003F
过电流 overcurrent	28A
使用温度 operating temperature	-65°C~170°C

» 耐久性测试 Endurance Test

Items	Additional Requirements	Reference	Limits
Operational Life	70±2°C, 1000h Rated voltage (90 min ON, 30 min OFF)	MIL-STD-202 Method 108	±1%
Biased Humidity	1000hrs 85°C/85%RH. Note:Specified conditions:10% of operating power.	MIL-STD-202 Method 103	±1%
Temperature Cycling	1000 Cycles(-55°C to +125°C)	JESD22 Method JA-104	±1%
Solderability	245°C±5°C,5s±0.5s	J-STD-002C	95% Coverage Minimum
Short Time Overload	5×Rated power for 5 s	MIL-STD-202 Method 301	±1%
Resistance to Soldering Heat	260°C±5°C, 10s±1s	MIL-STD-202 Method 210	±0.5%
Vibration	(10 - 2000 Hz) ,5 g's for 20 min, 12 cycles each of 3axis.	MIL-STD-202 Method 204	±0.5%
Terminal strength	Line thickness > 0.5mm, 13kg/10sec. Car application rules Line thickness > 0.5mm, 10kg/10sec . Non-vehicle application Line thickness ≤ 0.5mm, pull through flat wire shall prevail.		±1%

» 包装 Packaging

散装, 内外双包装 Bulk, Internal And External Package

版本信息 Version History

版本 Version	日期 Date	修订描述 Description of amendment	拟定 Draft	审核 Checked
A1.0	21-Sep-2022	首版发行	张雅兰	胡紫阳

X-ON Electronics

Largest Supplier of Electrical and Electronic Components

Click to view similar products for [Current Sense Resistors - SMD category](#):

Click to view products by [Yezhan manufacturer](#):

Other Similar products are found below :

[CRL0603-FW-R700ELF](#) [PFS35-200RF1](#) [CD2015FC-0.10-1%](#) [PR2512FKF7W0R004L](#) [RC1005F124CS](#) [RL73K3AR56JTDF](#) [RL7520WT-R001-F](#) [RL7520WT-R009-G](#) [RL7520WT-R020-F](#) [LRC-LR2010LF-01-R033J](#) [LRC-LR2512LF-01-R820J](#) [65709-330](#) [SP1R12J](#) [RL7520WT-R039-G](#) [RL7520WT-R002-F](#) [RL7520WT-R005-F](#) [KRL1632E-C-R200-F-T5](#) [KRL1632E-C-R200-F-T1](#) [Y14880R02000B9R](#) [RLP73M2AR075FTDF](#) [SR731ERTTP5R10F](#) [SR731ERTTP100J](#) [SR731ERTTP6R80F](#) [SR731ERTTP3R9J](#) [SR731ERTTP8R2J](#) [SR731ERTTP2R0J](#) [SR731ERTTP4R7J](#) [SR731ERTTP9R1J](#) [SR731ERTTP1R0J](#) [SR731ERTTP2R2J](#) [SR731ERTTP5R1J](#) [SR731ERTTP6R8J](#) [SR731ERTTP9R10F](#) [FCSL64R007JER](#) [73L4R10G](#) [73L4R75G](#) [73L4R33G](#) [73M1R051F](#) [73WL4R020J](#) [73L2R68J](#) [73L2R22J](#) [73L2R33J](#) [CC1512FC-0.015-5%](#) [ULRG2-2512-R0075-F-LF-SLT](#) [ULR3N-R00075FT2](#) [ULR3N-R0009FT2](#) [SLN3TTED80L6F](#) [JW104X15X4](#) [JW105X19X5](#) [HVR06FTEV2403](#)