

### 特征 Features

1-7瓦	1-7watts
精度±5%，±2%和±1%	Tolerance ±5%, ±2% and ±1%
电阻温度系数低至±40ppm/°C	TCR down to ±40ppm/°C
可焊性好	Excellent Solderability
大功率	High power
符合RoHS、REACH要求	RoHS and REACH compliant
特殊规格可以订做	Customizable

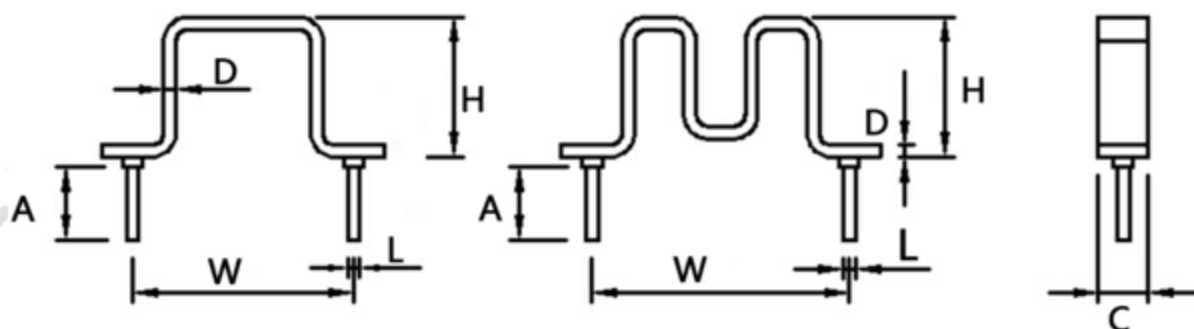
### 应用范围 Applications

电流采样	Current Sensing
驱动技术	Drive technology
家用电器	Household Electric Appliances
变频器	Frequency converter
电源产品	Power supply products



### 标准尺寸规格 Standard Size

C/mm	W/mm	H/mm	A/mm	L/mm
2.4~3.3	10~35	7.5~30	4.5±0.2	0.8/1.0±0.1



订货请提供:

- 1.跨距"W"
- 2.高度范围"H"
- 3.阻值和额定功率

NOTE:

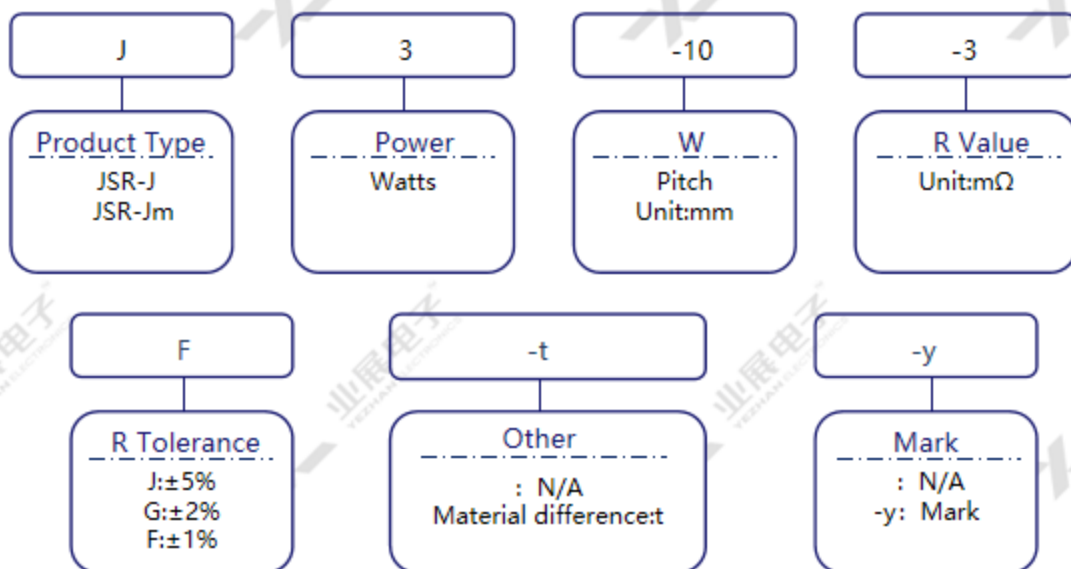
Contact YeZhan for:

- 1.Variations of "W"
- 2.Variations of "H"
- 3.Value and rated power

采样电阻 (JSR) 线厚宽、常规跨距及可选阻值 (mΩ) 对照表Type Data

线厚宽 /mm	过电流 /A	跨距及对应阻值范围 (mΩ)					材料 Materials	TCR /ppm/°C
		10	15	20	25	30		
1.3×3.5	30	2.5~7	2.8~7.6	3.6~8.4	4~8.8	4.4~9	Constantan	±40
1.1×3.3	30	2~5.5	2.5~6	3~6.5	3.5~7	4~7.5	Copper-Nickel	±200
	25.5	7~20	8~20	10~23	10~23	13~25	NiCr	±120
	28	3~9	3.5~10	4.5~10	5~11	5.5~11	Constantan	±40
1.1×2.8	25.5	2.4~6.5	3~7	3.5~7.7	4.2~8.2	4.8~8.8	Copper-Nickel	±200
0.9×2.7	19	5~14	6~15	7.5~15	8.5~16	10~17.5	Constantan	±40
0.85×2.4	15	5~16	6~17	7.5~18	9~19	10~20	Constantan	±40
0.8×3.3	20	4~12	5~13	6~14	7~15	8~16	Constantan	±40
0.8×3.3	19	9~27	11~28	14~31	15~32	18~36	NiCr	±120
0.6×2.4	11.5	9~22	10~24	12~25	13~26	15~28	Constantan	±40
0.6×2.4	10	21~48	24~53	27~56	30~57	35~62	NiCr	±120
0.5×3.3	13	6~20	8~22	9~23	11~24	12~26	Constantan	±40
0.5×3.3	11	14~44	16~47	20~50	23~53	27~58	NiCr	±120
0.4×3.3	10	8~25	10~27	12~29	14~31	16~33	Constantan	±40
0.4×3.3	9	21~56	25~60	29~65	33~69	38~74	NiCr	±120
0.4×2.4	7.5	13~35	15~37.5	17.5~40	20~42	23~45	Constantan	±40
0.4×2.4	7	29~78	34~84	40~90	45~95	51~101	NiCr	±120
0.36×2.4	6	28~80	33~87	40~94	48~100	55~107	NiCr	±120
0.3×3.3	8	9~43	12~46	14~48	16~50	19~53	Constantan	±40
0.3×3	7	10~45	13~50	15~53	18~56	21~58	Constantan	±40

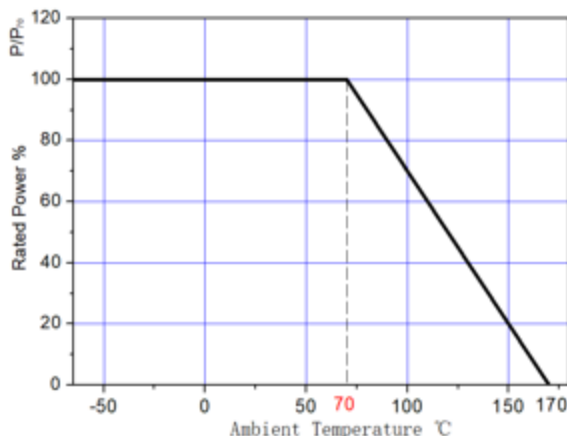
### 订购信息 Ordering Information



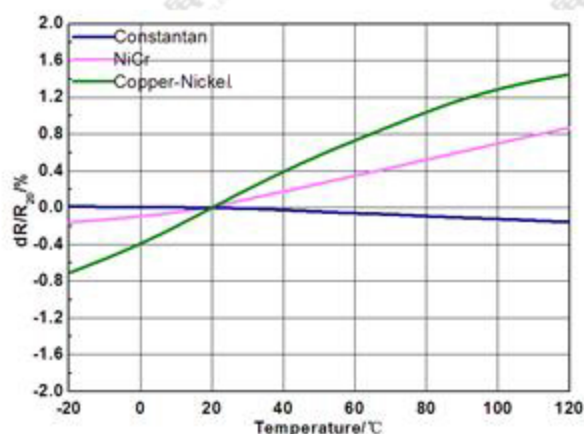
代号 Symbol	材料 Materials	电阻率 Resistance Rate
1	康铜 Constantan	48μΩ . cm
n	镍铬 NiCr	108μΩ . cm
6	铜镍 Copper-Nickel	30μΩ . cm
c	镀锡铜 Tinned copper	/

### 工作特性 Performance Data

降功率曲线 Power Derating

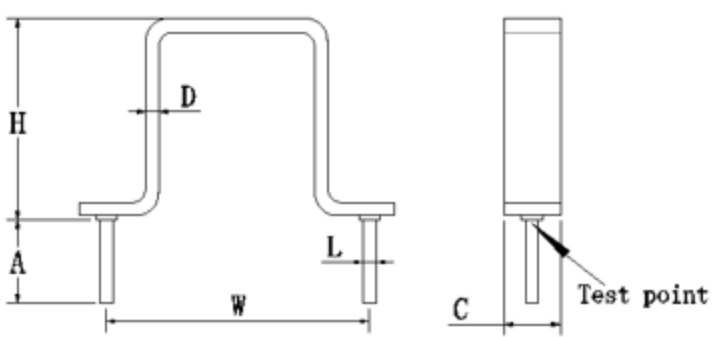


温度系数曲线 TCR Derating



TCR (ppm/°C) : Test conditions at 20°C~120°C.

### 产品尺寸和性能 Product Size And Performance

项目 Items	参数 Parameters
材料 Material	康铜 Constantan/镀锡铜 Tinned Copper
图解 Diagrammatize	
A	4.5mm±0.5mm
H	7.4mm±2.0mm
W	10mm±0.5mm
C	3.3mm±0.2mm
D	1.1mm±0.1mm
L	0.8mm±0.1mm
阻值 Value	3mΩ±1%
额定功率 rated power	3W
印字 Mark	R003F
过电流 overcurrent	28A
使用温度 operating temperature	-65°C~170°C

### » 耐久性测试 Endurance Test

Items	Additional Requirements	Reference	Limits
Operational Life	70±2°C, 1000h Rated voltage (90 min ON, 30 min OFF)	MIL-STD-202 Method 108	±1%
Biased Humidity	1000hrs 85°C/85%RH. Note:Specified conditions:10% of operating power.	MIL-STD-202 Method 103	±1%
Temperature Cycling	1000 Cycles(-55°C to +125°C)	JESD22 Method JA-104	±1%
Solderability	245°C±5°C,5s±0.5s	J-STD-002C	95% Coverage Minimum
Short Time Overload	5×Rated power for 5 s	MIL-STD-202 Method 301	±1%
Resistance to Soldering Heat	260°C±5°C, 10s±1s	MIL-STD-202 Method 210	±0.5%
Vibration	(10 - 2000 Hz) ,5 g's for 20 min, 12 cycles each of 3axis.	MIL-STD-202 Method 204	±0.5%
Terminal strength	Line thickness > 0.5mm, 13kg/10sec. Car application rules Line thickness > 0.5mm, 10kg/10sec . Non-vehicle application Line thickness ≤ 0.5mm, pull through flat wire shall prevail.		±1%

### » 包装 Packaging

散装, 内外双包装 Bulk, Internal And External Package

### » 版本信息 Version History

版本 Version	日期 Date	修订描述 Description of amendment	拟定 Draft	审核 Checked
A1.0	21-Sep-2022	首版发行	张雅兰	胡紫阳

## X-ON Electronics

Largest Supplier of Electrical and Electronic Components

*Click to view similar products for [Current Sense Resistors - SMD category](#):*

*Click to view products by [Yezhan manufacturer](#):*

Other Similar products are found below :

[CRL0603-FW-R700ELF](#) [PFS35-200RF1](#) [CD2015FC-0.10-1%](#) [PR2512FKF7W0R004L](#) [RC1005F124CS](#) [RL73K3AR56JTDF](#) [RL7520WT-R001-F](#) [RL7520WT-R009-G](#) [RL7520WT-R020-F](#) [LRC-LR2010LF-01-R033J](#) [LRC-LR2512LF-01-R820J](#) [65709-330](#) [SP1R12J](#) [RL7520WT-R039-G](#) [RL7520WT-R002-F](#) [RL7520WT-R005-F](#) [KRL1632E-C-R200-F-T5](#) [KRL1632E-C-R200-F-T1](#) [Y14880R02000B9R](#) [RLP73M2AR075FTDF](#) [SR731ERTTP5R10F](#) [SR731ERTTP100J](#) [SR731ERTTP6R80F](#) [SR731ERTTP3R9J](#) [SR731ERTTP8R2J](#) [SR731ERTTP2R0J](#) [SR731ERTTP4R7J](#) [SR731ERTTP9R1J](#) [SR731ERTTP1R0J](#) [SR731ERTTP2R2J](#) [SR731ERTTP5R1J](#) [SR731ERTTP6R8J](#) [SR731ERTTP9R10F](#) [FCSL64R007JER](#) [73L4R10G](#) [73L4R75G](#) [73L4R33G](#) [73M1R051F](#) [73WL4R020J](#) [73L2R68J](#) [73L2R22J](#) [73L2R33J](#) [CC1512FC-0.015-5%](#) [ULRG2-2512-R0075-F-LF-SLT](#) [ULR3N-R00075FT2](#) [ULR3N-R0009FT2](#) [SLN3TTED80L6F](#) [JW104X15X4](#) [JW105X19X5](#) [HVR06FTEV2403](#)