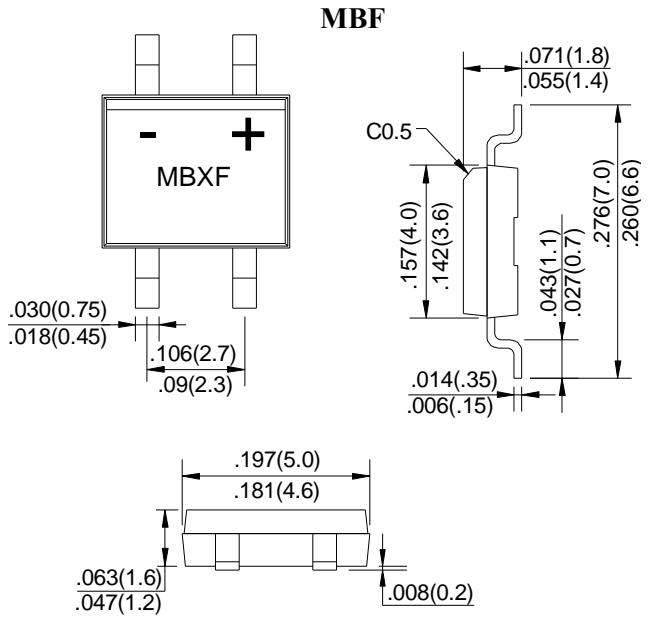


MB05F THRU MB10F

SINGLE-PHASE 1.0A AMP. GLASS PASSIVATED BRIDGE RECTIFIER
REVERSE VOLTAGE: 50 to 1000 VOLTS

 <p>MBF</p> <p>Dimensions in inches and (millimeters)</p>	<p>FEATURES</p> <ul style="list-style-type: none"> · Surge overload rating: 30 amperes peak · Ideal for printed circuit board · Plastic material has Underwriters Laboratory Flammability Classification 94V-0 · Low leakage · Reliable low cost construction utilizing molded <p>MECHANICAL DATA</p> <p>Case: Molded plastic Epoxy: UL 94V-0 rate flame retardant Terminals: Leads solderable per MIL-STD-202E, method 208 guaranteed Mounting position: Any</p>
---	---

Maximum Ratings and Electrical Characteristics

Ratings at 25°C ambient temperature unless otherwise specified.
 Single phase, half wave, 60Hz, resistive or inductive load.

		MB05F	MB1F	MB2F	MB4F	MB6F	MB8F	MB10F	Units
Maximum Recurrent Peak Reverse Voltage	V_{RRM}	50	100	200	400	600	800	1000	Volts
Maximum RMS Voltage	V_{RMS}	35	70	140	280	420	560	700	Volts
Maximum DC Blocking Voltage	V_{DC}	50	100	200	400	600	800	1000	Volts
Maximum Average Forward Rectified Current (see Fig. 1) on glass-epoxy P.C.B (Note 2) on aluminum substrate (Note 3)	$I_{(AV)}$	0.8						1.0	Amp
Peak Forward Surge Current, 8.3ms single half-sine-wave superimposed on rated load (JEDEC method)	I_{FSM}	30							Amp
Maximum Forward Voltage at 0.4A DC and 25 °C	V_F	1.0							Volts
Maximum Reverse Current at $T_A=25^\circ\text{C}$ at Rated DC Blocking Voltage $T_A=125^\circ\text{C}$	I_R	10.0						200	uAmp
Typical Junction Capacitance (Note 1)	C_J	13							pF
Typical Thermal Resistance (Note 3)	$R_{\theta JA}$	60							°C/W
Typical Thermal Resistance (Note 2)	$R_{\theta JL}$	16							°C/W
Operating and Storage Temperature Range	T_J, T_{stg}	-55 to +150							°C

NOTES:

- 1- Measured at 1 MHz and applied reverse voltage of 4.0 VDC.
- 2- On glass epoxy P.C.B. mounted on 0.05 x 0.05" (1.3 x 1.3mm) pads
- 3- On aluminum substrate P.C.B. with an area of 0.8" x 0.8" (20 x 20mm) mounted on 0.05 x 0.05" (1.3 x 1.3mm) solder pad

RATING AND CHARACTERISTIC CURVES (MB05F THRU MB10F)

FIG.1-TYPICAL FORWARD CURRENT DERATING CURVE

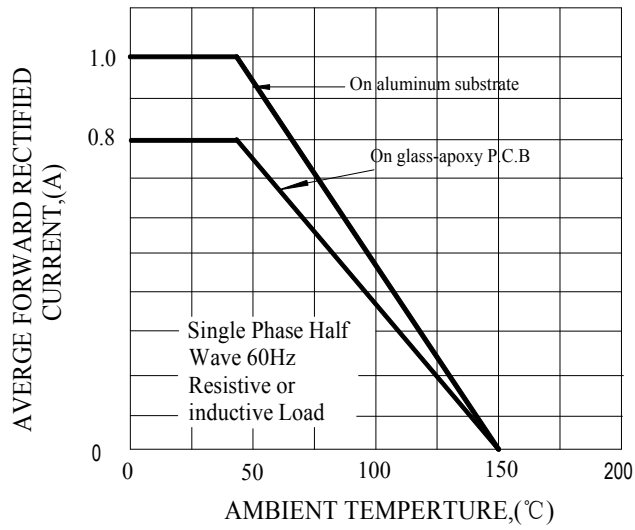


FIG.2-TYPICAL INSTANTANEOUS FORWARD CHARACTERISTICS

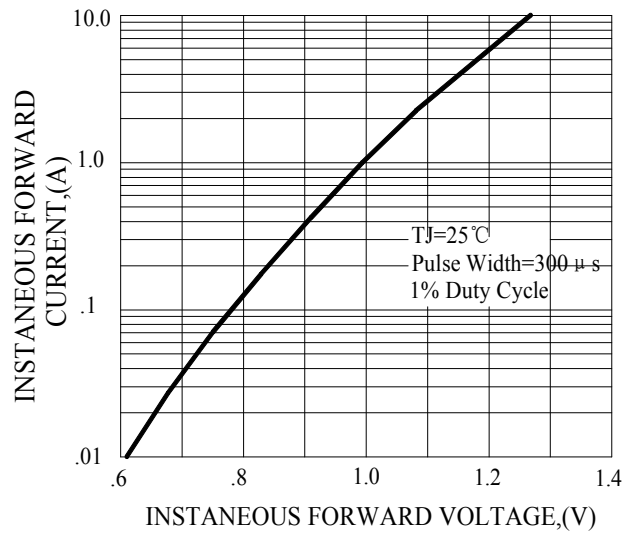


FIG.3-MAXIMUM NON-REPETITIVE FORWARD SURGE CURRENT

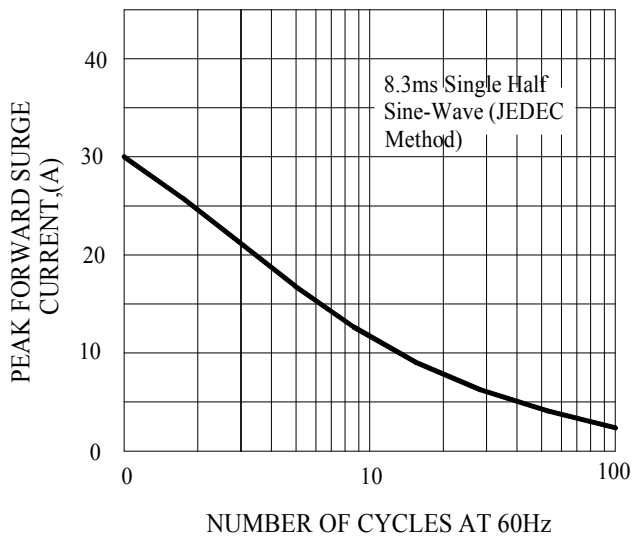
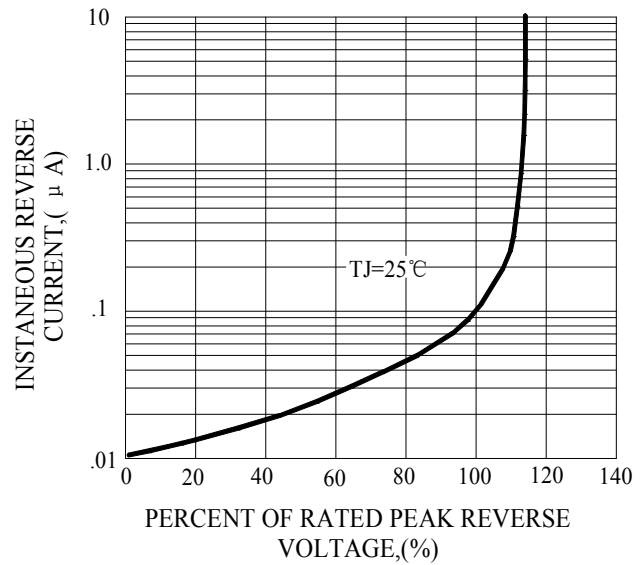


FIG.4-TYPICAL REVERSE CHARACTERISTICS



X-ON Electronics

Largest Supplier of Electrical and Electronic Components

Click to view similar products for [Bridge Rectifiers](#) category:

Click to view products by [YFSEMI](#) manufacturer:

Other Similar products are found below :

[MB2510](#) [MB252](#) [MB356G](#) [MB358G](#) [MP358-BP](#) [90MT160KPBF](#) [GBJ1504-BP](#) [GBU10B-BP](#) [GBU15J-BP](#) [GBU15K-BP](#) [GBU4A-BP](#)
[GBU4D-BP](#) [GSIB680-E3/45](#) [DB101-BP](#) [DF01](#) [DF10SA-E345](#) [BU1508-E3/45](#) [BU1510-E3/45](#) [KBPC50-10S](#) [RS405GL-BP](#) [26MT120](#)
[G5SBA60-E3/51](#) [GBJ1502-BP](#) [GBU10J-BP](#) [GBU4J-BP](#) [GBU6M](#) [GBU8D-BP](#) [GBU8J-BP](#) [GSIB1520-E3/45](#) [TB102M](#) [MB1510](#) [MB6M-G](#)
[MB86](#) [TL401G](#) [MDA920A2](#) [TU602](#) [TU810](#) [MP501W-BP](#) [MP502-BP](#) [BR1005-BP](#) [BR101-BP](#) [BR84DTP204](#) [BU1010A-E3/51](#) [BU1508-](#)
[E3/51](#) [BU2006-E3/45](#) [BU2008-E3/51](#) [US15KB80R-7000](#) [KBPC25-02](#) [VS-60MT120KPBF](#) [DB105-BP](#)