

Fast recovery high voltage diodes

Reverse Voltage –6KVto 8KV

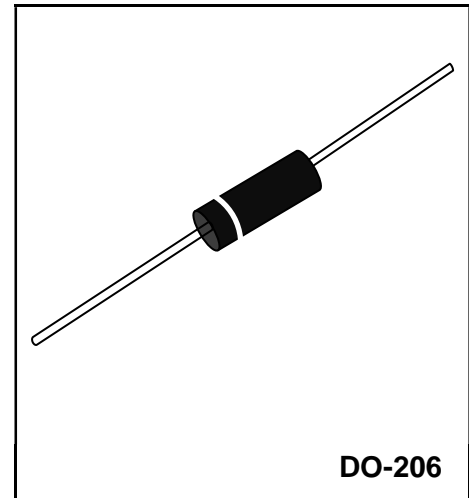
Forward Current –5mA

FEATURES

- ◆Supersmall size
- ◆High reliability
- ◆High speed switching
- ◆Epoxy meets UL94V-0 flammability rating

MECHANICAL DATA

- ◆Case: Molded Plastic Body
- ◆Terminals: Pure tin plated leads, solderable per J-STD-002 and JESD22-B102, E3 suffix for consumer grade, meet JESD201 class 1A whisker test.



DO-206

Parameter		Symbols	2CL70A	2CL71A	Units
Repetitive peak reverse voltage		V_{RRM}	6	8	KV
Non-Repetitive peak reverse voltage		V_{RMS}	8	10	KV
Average forward current	60Hz half-sine wave, Resistance load, $T_a=25^{\circ}C$	$I_{F(AV)}$	5		mA
Surge(Non-repetitive)forward current	60Hz half-sine wave, 1 cycle, $T_a=25^{\circ}C$	I_{FSM}	0.5		A
Peak forward voltage	$I_{FM}=10mA$	V_{FM}	24	30	V
Peak reverse current $V_{RM}=V_{RRM}$	$T_a=25^{\circ}C$	I_{RRM}	2		μA
	$T_a=100^{\circ}C$		5		
Reverse recovery time	$I_F=2mA, I_{RM}=4mA$	T_{rr}	0.08		μS
Operating ambient temperature		T_a	-40 ~ +100		$^{\circ}C$
Storage Temperature Range		T_{stg}	-40 ~ +120		$^{\circ}C$
Virtual junction temperature		$T_{(vj)}$	120		$^{\circ}C$

Typical characteristics

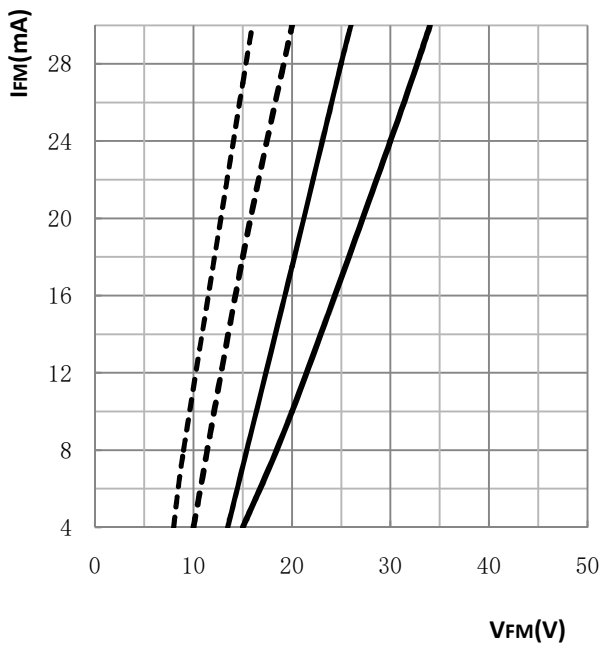


Figure 1. Forward characteristics

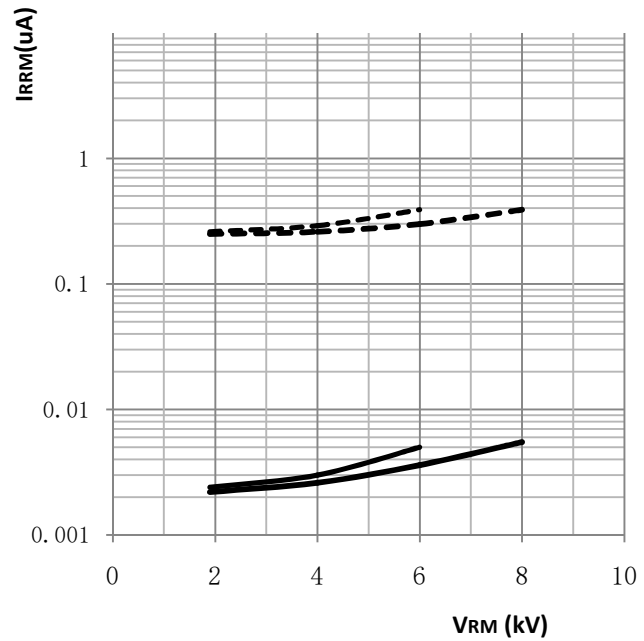


Figure 2. Reverse characteristics

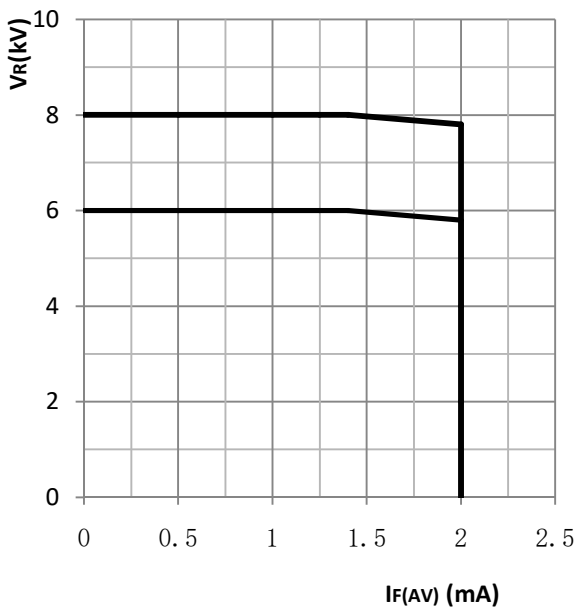


Figure 3. V_R - $I_{F(AV)}$ Curve

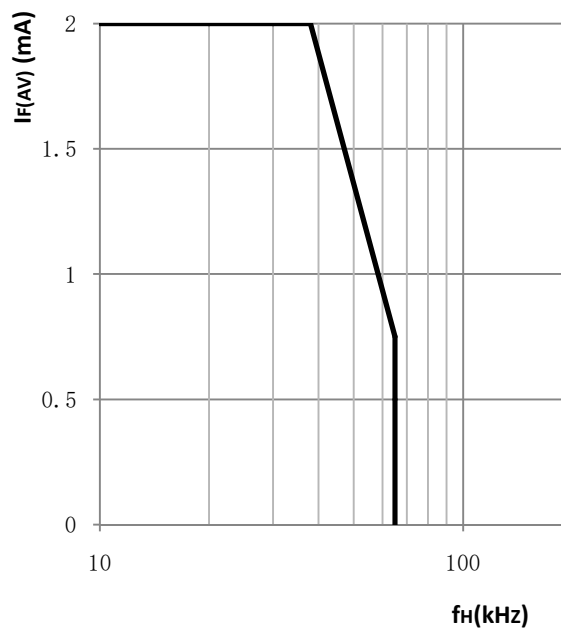
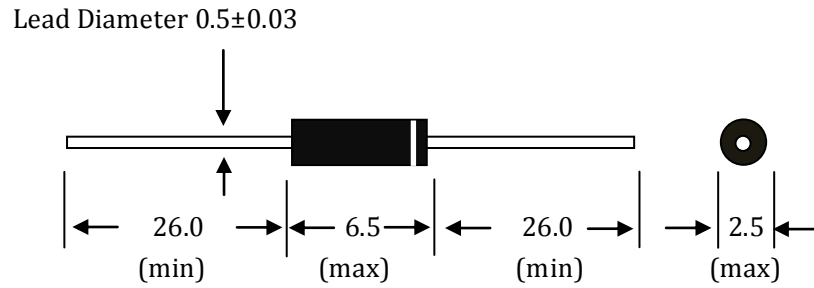


Figure 4. $I_{F(AV)}$ - f_H Curve

Package Outline DO-206



Summary of Packing Options

Package	Packing Description	Packing Quantity	Industry Standard
DO-206	BOX	5000	EIA-481-1

X-ON Electronics

Largest Supplier of Electrical and Electronic Components

Click to view similar products for [Rectifiers](#) category:

Click to view products by [YFW Electronics](#) manufacturer:

Other Similar products are found below :

[70HFR40](#) [FR105 R0](#) [RL252-TP](#) [1N5397](#) [JANTX1N5634A](#) [1N4002G](#) [1N4005-TR](#) [JANS1N6640US](#) [481235F](#) [RRE02VS6SGTR](#) [067907F](#)
[MS306](#) [US2JFL-TP](#) [A1N5404G-G](#) [CRS12\(T5L,TEMQ\)](#) [ACGRB207-HF](#) [CLH07\(TE16L,Q\)](#) [CLH03\(TE16L,Q\)](#) [ACGRC307-HF](#)
[ACEFC304-HF](#) [DZ-1380](#) [NTE6356](#) [NTE6359](#) [JAN1N5555](#) [85HFR60](#) [40HFR60](#) [70HF120](#) [85HFR80](#) [D126A45C](#) [SCF7500](#) [SCHJ22.5K](#)
[SM100](#) [SCPA2](#) [SDHD5K](#) [ACGRA4001-HF](#) [D1821SH45T PR](#) [D1251S45T](#) [NTE6358](#) [NTE5850](#) [NTE5819](#) [NTE5837](#) [NTE5892](#) [NTE5900](#)
[NTE5911](#) [NTE5915](#) [NTE5921](#) [NTE6104](#) [NTE6105](#) [NTE6154](#) [NTE6158](#)