

Fast recovery high voltage diodes

Reverse Voltage – 8KV

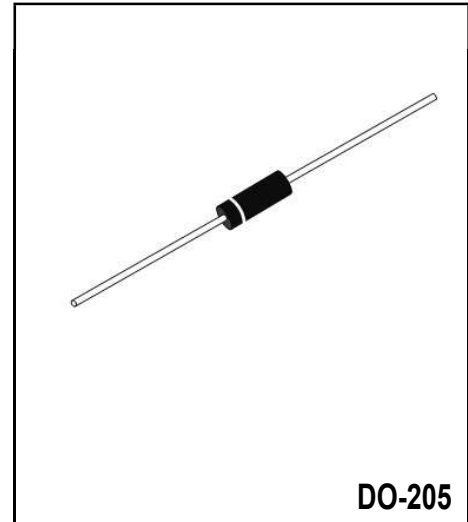
Forward Current –5mA

FEATURES

- ◆Supersmall size
- ◆High reliability
- ◆High speed switching
- ◆Epoxy meets UL94V-0 flammability rating

MECHANICAL DATA

- ◆Case: Molded Plastic Body
- ◆Terminals: Pure tin plated leads, solderable per J-STD-002 and JESD22-B102, E3 suffix for consumer grade, meet JESD201 class 1A whisker test.



Parameter		Symbols	2CL71M	Units
Repetitive peak reverse voltage		V_{RRM}	8	KV
Non-Repetitive peak reverse voltage		V_{RMS}	10	KV
Average forward current	60Hz half-sine wave, Resistance load, $T_a=25^{\circ}C$	$I_{F(AV)}$	5	mA
Surge(Non-repetitive)forward current	60Hz half-sine wave, 1 cycle, $T_a=25^{\circ}C$	I_{FSM}	0.5	A
Peak forward voltage	$I_{FM}=10mA$	V_{FM}	30	V
Peak reverse current $V_{RM}=V_{RRM}$	$T_a=25^{\circ}C$	I_{RRM}	2	μA
	$T_a=100^{\circ}C$		5	
Reverse recovery time	$I_F=2mA, I_{RM}=4mA$	T_{rr}	0.08	μS
Operating ambient temperature		T_a	-40 ~ +100	$^{\circ}C$
Storage Temperature Range		T_{stg}	-40 ~ +120	$^{\circ}C$
Virtual junction temperature		$T_{(vj)}$	120	$^{\circ}C$

Typical characteristics

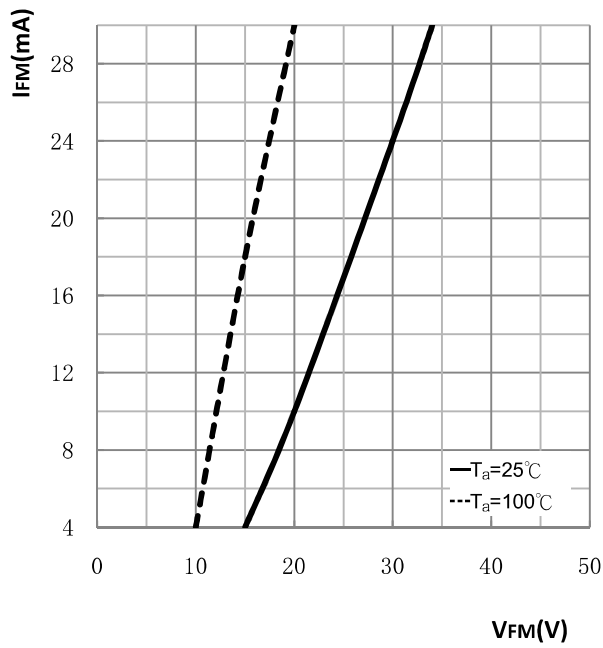


Figure 1. Forward characteristics

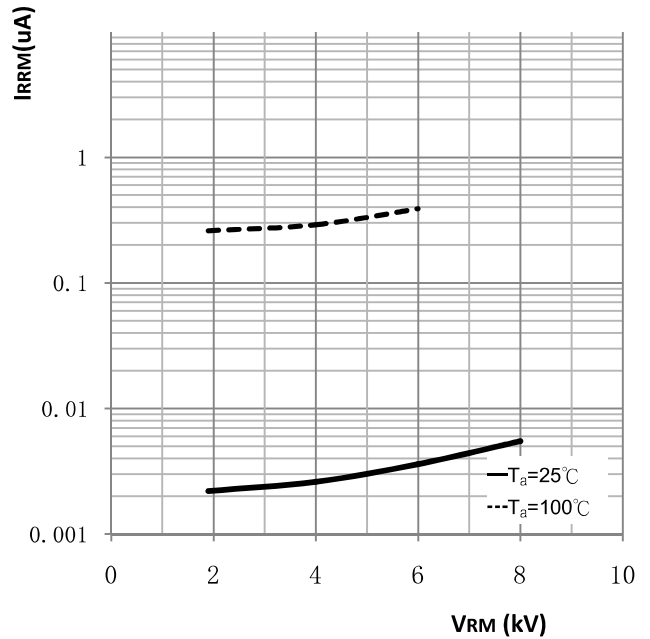


Figure 2. Reverse characteristics

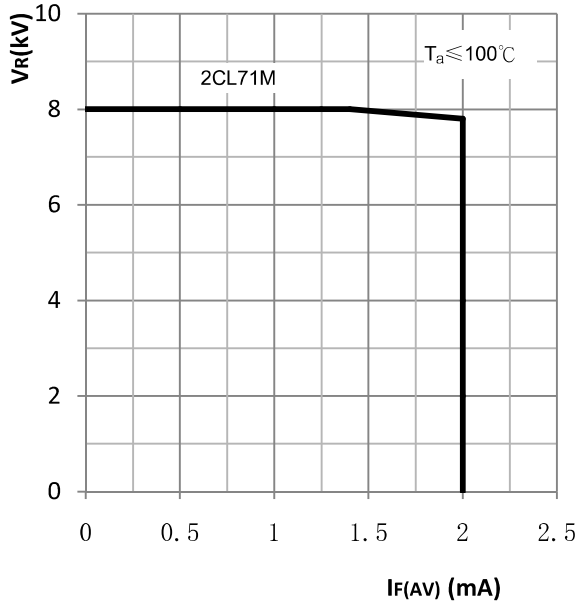


Figure 3. V_R - $I_{F(AV)}$ Curve

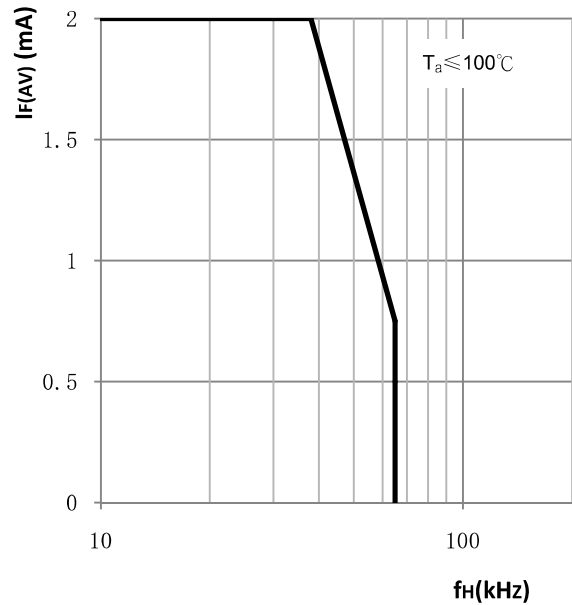
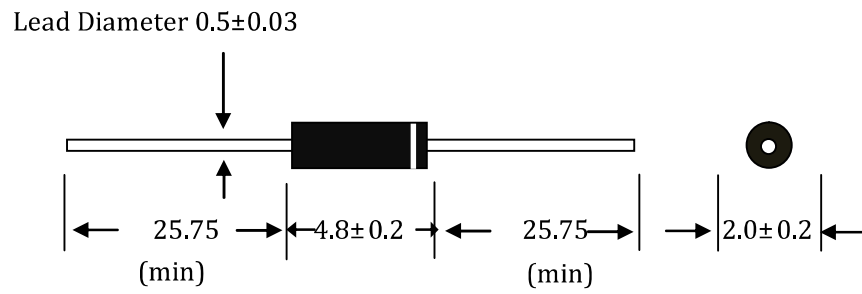


Figure 4. $I_{F(AV)}$ - f_H Curve

Package Outline DO-205



Summary of Packing Options

Package	Packing Description	Packing Quantity	Industry Standard
DO-205	BOX	5000	EIA-481-1

X-ON Electronics

Largest Supplier of Electrical and Electronic Components

Click to view similar products for [Rectifiers](#) category:

Click to view products by [YFW Electronics](#) manufacturer:

Other Similar products are found below :

[70HFR40](#) [FR105 R0](#) [RL252-TP](#) [1N5397](#) [1N4005-TR](#) [1N4007-BP](#) [UFS120Je3/TR13](#) [20ETS12S](#) [RRE02VS6SGTR](#) [MS306](#) [A1N5404G-G](#)
[CRF02\(T5L,TEMQ\)](#) [ACGRB207-HF](#) [CLH07\(TE16L,Q\)](#) [CLH03\(TE16L,Q\)](#) [1N5395-TP](#) [UES1302](#) [ACGRC307-HF](#) [ACEFC304-HF](#) [DZ-](#)
[1380](#) [85HFR60](#) [40HFR60](#) [70HF120](#) [85HFR80](#) [SCF7500](#) [SM100](#) [ACGRA4001-HF](#) [SKN70/08](#) [NTE5819](#) [NTE5827](#) [NTE5828](#) [NTE5911](#)
[NTE5915](#) [NTE6104](#) [NTE6163](#) [NTE6164](#) [NTE6165](#) [NTE6364](#) [TSD3G](#) [SET130312](#) [NRVUS110VT3G](#) [UES1106](#) [UES1306](#)
[NRVUS240VT3G](#) [D5FE60-5063](#) [R4000GPS-TP](#) [D4015L56TP](#) [UES1306HR2](#) [FX20K120](#) [D20XB60-7101](#)