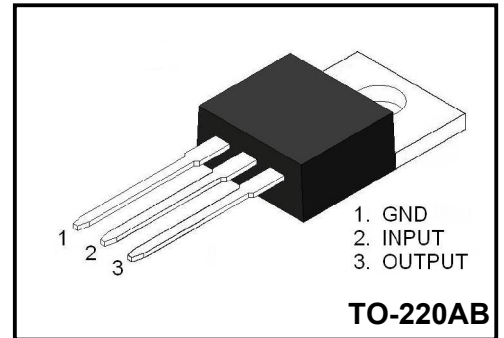


3-Terminal 1.5A Negative Voltage Regulator

Description

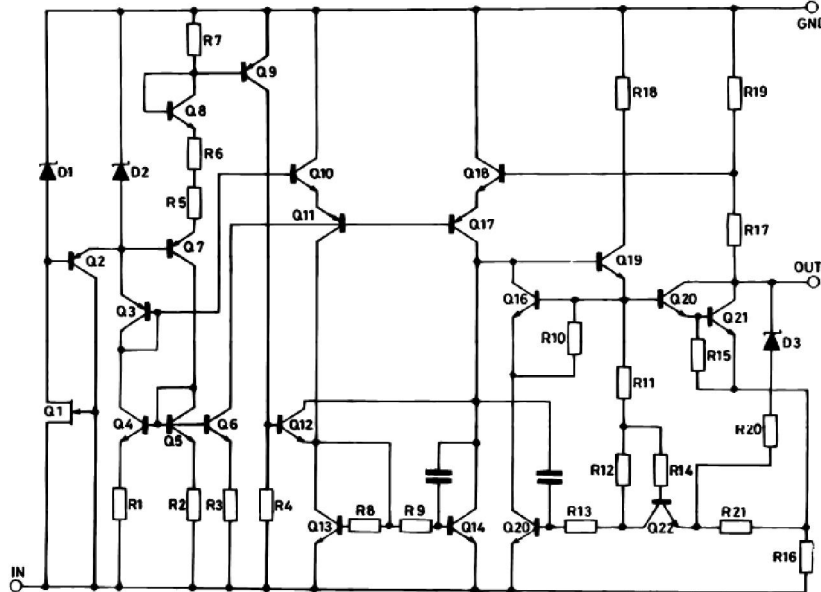
The 7915 three-terminal negative regulators is available in TO-220AB packages and several fixed output voltages, making it useful in a wide range of applications. These regulators can provide local on-card regulation, eliminating the distribution problems associated with single point regulation; furthermore, having the same voltage as the 7815 positive, they are particularly suited for split power supplies. If adequate heat sinking is provided, they can deliver over 1.5 A output current. Although designed primarily as fixed voltage regulators, these devices can be used with external components to obtain adjustable voltages and currents.



Features

- ◆ Output Current up to 1.5A
- ◆ Output Voltages of -15V
- ◆ Thermal Overload Protection
- ◆ Short Circuit Protection
- ◆ Output transition SOA protection

Schematic diagram



Absolute Maximum Ratings

Parameter	Symbol	Value	Unit
Input Voltage	V_{IN}	-35	V
Output current	I_o	-1.5	A
Operating Junction Temperature Range	T_{OPR}	0 ~ +125	°C
Storage Temperature Range	T_{STG}	-55 ~ +150	°C

Note: Absolute maximum ratings are those values beyond which damage to the device may occur. Functional operation under these condition is not implied.

Thermal Resistances (Ta = 25°C)

Parameter	Symbol	Value	Unit
Thermal Resistance Junction-Case	$R_{\theta JC}$	5	°C/W
Thermal Resistance Junction-Air	$R_{\theta JA}$	65	°C/W

Electrical Characteristics

 Refer to the test circuits , $I_o = -750mA$, $V_i = -23V$, $C_i = 2.2\mu F$, $C_o = 1\mu F$ unless otherwise specified

Parameter	Symbol	Conditions	Value			Unit
			Min	Typ	Max	
Output Voltage	V_o	$T_j = 25^\circ C$	-14.40	-15.0	-12.60	V
		$I_o = -5mA \sim -1.5A$, $P_o \leq 15W$ $V_i = -17.5 \sim -30V$	-14.25	-15.0	-15.75	V
Line Regulation(Note)	ΔV_o	$T_j = 25^\circ C$	$V_i = -17.5V \sim -30V$		300	mV
			$V_i = -20V \sim -26V$		150	
Load Regulation(Note)	ΔV_o	$T_j = 25^\circ C$	$I_o = -5mA \sim -1.5A$		300	mV
			$I_o = -0.25A \sim -0.75A$		150	
Quiescent Current	I_q	$T_j = 25^\circ C$			8.0	mA
Quiescent Current Change	ΔI_q	$I_o = -5mA \sim -1.5A$			0.5	mA
		$I_o = -17.5V \sim -30.5V$			1.0	
Output Voltage Drift	$\Delta V / \Delta T$	$I_o = 5mA$		-0.9		mV/°C
Output Noise Voltage	V_N	$f = 10Hz \sim 100KHz$, $T_j = 25^\circ C$		250		μV
Ripple Rejection	RR	$f = 120Hz$, $\Delta V_i = 10V$		60		dB
Dropout Voltage	V_D	$I_o = 1.5A$, $T_j = 25^\circ C$		2		V
Short Circuit Current	I_{SC}	$V_i = -35V$, $T_j = 25^\circ C$		300		mA
Peak Current	I_{PK}	$T_j = 25^\circ C$		2.2		A

Notes: Load and line regulation are specified at constant junction temperature. Changes in V_o due to heating effects must be taken into account separately. Pulse testing with low duty cycle is used.

Application information

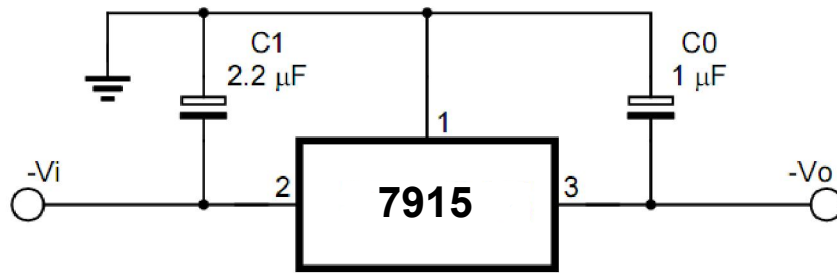


Figure 1.Fixed Output regulator

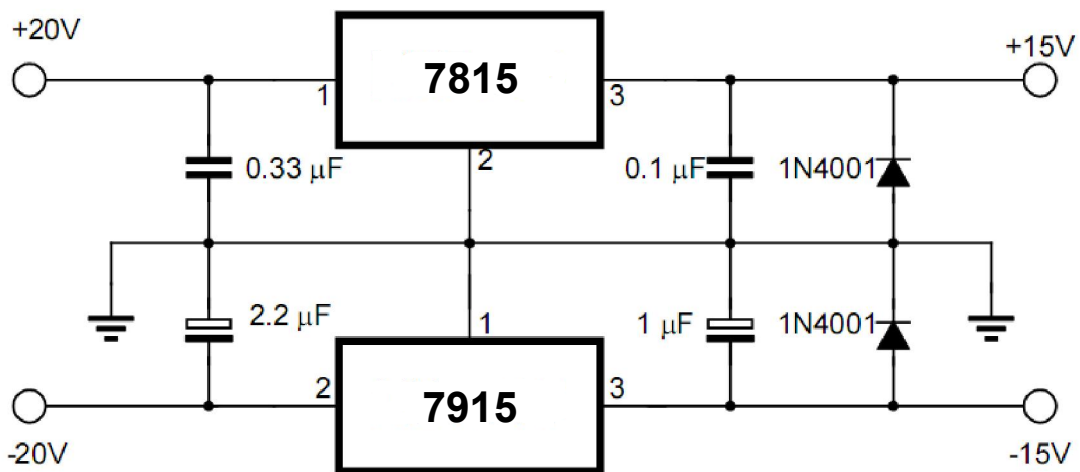


Figure 2. Split power supply ($\pm 15\text{ V}$, -1.5 A)

Package Dimensions

TO-220AB

TO-220AB	Dim	Millimeter		Inches	
		Min.	Max.	Min.	Max.
	A	4.30	4.70	0.169	0.185
	A1	0.00	0.15	0.000	0.006
	b	0.71	0.91	0.028	0.036
	b1	1.17	1.37	0.046	0.054
	c	0.30	0.50	0.012	0.020
	c1	1.17	1.37	0.046	0.054
	D	9.90	10.20	0.390	0.402
	E	8.50	8.90	0.335	0.350
	E1	12.00	12.50	0.472	0.492
	e	2.44	2.64	0.096	0.104
	e1	4.88	5.28	0.192	0.208
	F	2.60	2.80	0.102	0.110
	L	13.20	13.80	0.520	0.543
	L1	3.80	4.20	0.150	0.165
	Φ	3.60	3.96	0.142	0.156

X-ON Electronics

Largest Supplier of Electrical and Electronic Components

Click to view similar products for [Linear Voltage Regulators](#) category:

Click to view products by [YFW Electronics](#) manufacturer:

Other Similar products are found below :

[LV5684PVD-XH](#) [MCDTSA6-2R](#) [L7815ACV-DG](#) [LV56801P-E](#) [UA7805CKC](#) [714954EB](#) [ZMR500QFTA](#) [BA033LBSG2-TR](#)
[NCV78M05ABDTRKG](#) [LV5680P-E](#) [L79M05T-E](#) [L78LR05D-MA-E](#) [NCV317MBTG](#) [NTE7227](#) [MP2018GZD-33-P](#) [MP2018GZD-5-P](#)
[LV5680NPVC-XH](#) [ZTS6538SE](#) [UA78L09CLP](#) [UA78L09CLPR](#) [CAT6221-PPTD-GT3](#) [MC78M09CDTRK](#) [NCV51190MNTAG](#)
[BL1118CS8TR1833](#) [BL8077CKETR33](#) [BL9153-33CC3TR](#) [BL9161G-28BADRN](#) [BRCO7530MMC](#) [CJ7815B-TFN-ARG](#) [LM317C](#)
[GM7333K](#) [GM7350K](#) [XC6206P332MR](#) [HT7533](#) [LM7912S/TR](#) [LT1764S/TR](#) [LM7805T](#) [LM338T](#) [LM1117IMP-3.3/TR](#) [HT1117AM-3.3](#)
[HT7550S](#) [AMS1117-3.3](#) [HT7150S](#) [78L12](#) [HT7550](#) [HT7533-1](#) [HXY6206I-2.5](#) [HT7133](#) [HT7533S](#) [662K](#)