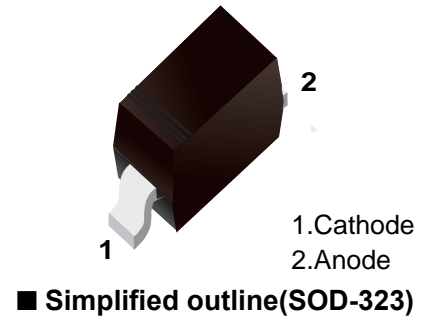


■ Surface Mount Schottky Barrier Diode

■ Features

- Low Forward Voltage Drop
- Fast Switching
- Pb-Free Package May be Available. The G-Suffix Denotes a Pb-Free Lead Finish



■ Marking

Marking	L9
---------	----

■ Absolute Maximum Ratings Ta = 25°C

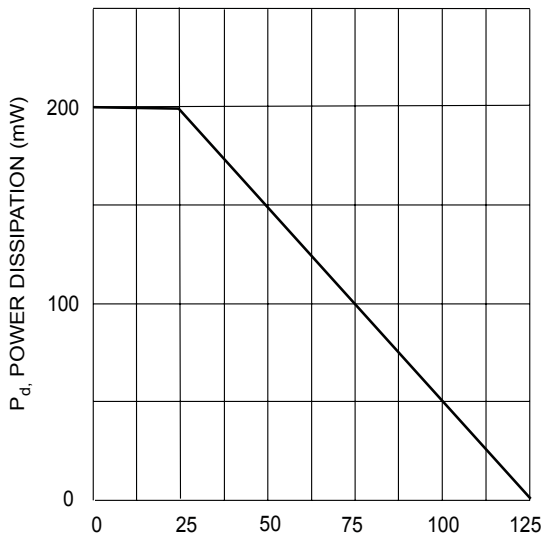
Parameter	Symbol	Rating	Unit
Peak Repetitive Reverse Voltage	VRRM		
Working Peak Reverse Voltage	VRWM	30	V
DC Blocking Voltage	VR		
RMS Reverse Voltage	VR(RMS)	21	V
Average Rectified Forward Current	Io	100	mA
Forward Continuous Current (Note 1)	IF	200	mA
Repetitive Peak Forward Current (Note 1)	IFRM	300	mA
Forward Surge Current (Note 1) @ t < 1.0s	IFSM	600	mA
Power Dissipation (Note 1)	Pd	200	mW
Thermal Resistance, Junction to Ambient Air (Note 1)	RθJA	625	K/W
Operating and Storage Temperature Range	Tj, TSTG	-65 to 125	°C

Note 1.Part mounted on FR-4 PC board with recommended pad layout.

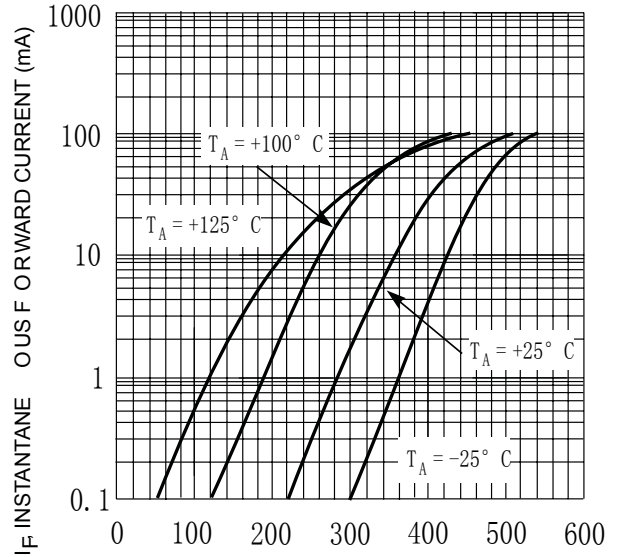
■ Electrical Characteristics Ta = 25°C

Parameter	Symbol	Test conditons	Min	Typ	Max	Unit
Reverse Breakdown Voltage	V(BR)R	IR=100 μ A	30			V
Forward Voltage	VF	IF = 0.1mA			240	mV
		IF = 1mA			320	
		IF = 10mA			400	
		IF = 30mA			500	
		IF = 100mA			1000	
Reverse Leakage	IR	VR=25V			2.0	μ A
Total Capacitance	CT	VR=0V, f=1.0MHz			10	pF
Reverse Recover Time	Trr	IF = 10mA through IR = 10mA to IR = 1.0mA, RL = 100 Ω			5.0	ns

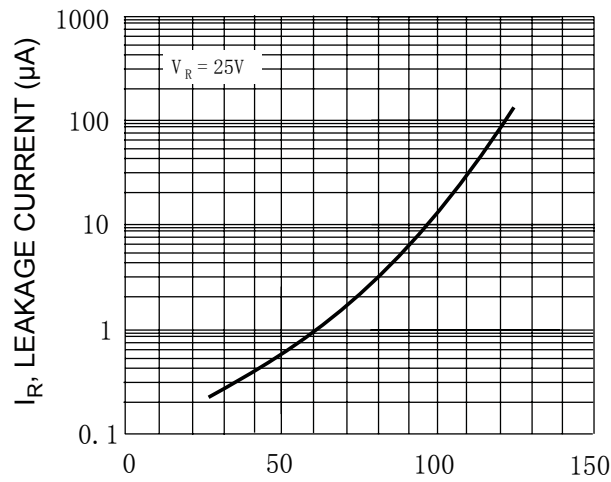
■ Typical Characteristics



T_A, AMBIENT TEMPERATURE (°C)
Fig. 1 Power Derating Curve



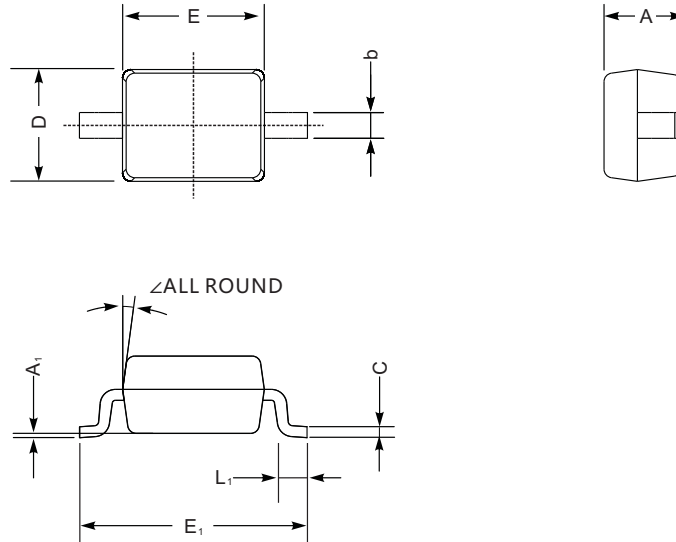
T_j, INSTANTANEOUS FORWARD VOLTAGE (mV)
Fig. 2, Typical Forward Characteristics



T_j, JUNCTION TEMPERATURE (°C)
Fig. 3, Typical Reverse Characteristics

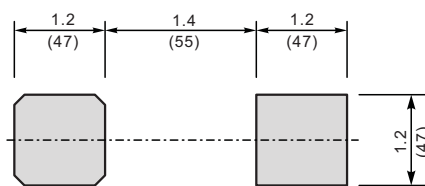
Package Outline SOD-323

Plastic surface mounted package; 2 leads



UNIT		A	C	D	E	E ₁	b	L ₁	A ₁	∠
mm	max	1.1	0.15	1.4	1.8	2.75	0.4	0.45	0.2	9°
	min	0.8	0.08	1.2	1.4	2.55	0.25	0.2	—	
mil	max	43	5.9	55	70	108	16	16	8	
	min	32	3.1	47	63	100	9.8	7.9	—	

The recommended mounting pad size



Unit: $\frac{\text{mm}}{\text{mil}}$

Summary of Packing Options

Package	Packing Description	Packing Quantity	Industry Standard
SOD-323	Tape/Reel, 7" reel	3000	EIA-481-1

X-ON Electronics

Largest Supplier of Electrical and Electronic Components

Click to view similar products for [Schottky Diodes & Rectifiers](#) category:

Click to view products by [YFW Electronics](#) manufacturer:

Other Similar products are found below :

[MA4E2039](#) [MA4E2508M-1112](#) [MBR1545CT](#) [MMBD301M3T5G](#) [RB160M-50TR](#) [D83C](#) [BAS16E6433HTMA1](#) [BAT 54-02LRH E6327](#)
[NRVBAF360T3G](#) [NSR05F40QNXT5G](#) [NTE555](#) [JANS1N6640](#) [SK310-T](#) [SS3003CH-TL-E](#) [GA01SHT18](#) [CRS10I30A\(TE85L,QM](#)
[MA4E2501L-1290](#) [MBRA140TRPBF](#) [MBRB30H30CT-1G](#) [BAT 15-04R E6152](#) [JANTX1N5712-1](#) [DMJ3940-000](#) [SB007-03C-TB-E](#)
[SK33B-TP](#) [NRVBB20100CTT4G](#) [NRVBM120LT1G](#) [NTSB30U100CT-1G](#) [VS-6CWQ10FNHM3](#) [CRG04\(T5L,TEMQ\)](#) [ACDBA1100LR-HF](#)
[ACDBA1200-HF](#) [ACDBA240-HF](#) [ACDBA3100-HF](#) [CDBQC0530L-HF](#) [CDBQC0240LR-HF](#) [ACDBA260LR-HF](#) [ACDBA1100-HF](#)
[MA4E2502L-1246](#) [10BQ015-M3/5BT](#) [NRVBM120ET1G](#) [CRS08TE85LQM](#) [PMAD1108-LF](#) [B120Q-13-F](#) [1N5819T-G](#) [B0530WSQ-7-F](#)
[PDS1040Q-13](#) [B160BQ-13-F](#) [SDM05U20CSP-7](#) [B140S1F-7](#) [HSM560Je3/TR13](#)