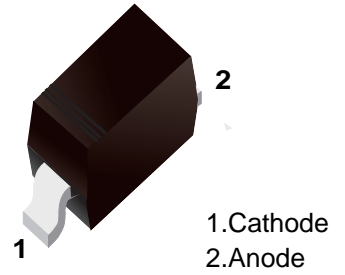


■ Surface Mount Fast Switching Diode



■ Simplified outline(SOD-323)

■ Features

- Fast Switching Speed
- Surface Mount Package Ideally Suited for Automatic Insertion
- For General Purpose Switching Applications
- High Conductance

■ Absolute Maximum Ratings Ta = 25°C

Parameter	Symbol	Rating	Unit
Non-Repetitive Peak Reverse Voltage	V <sub>RM</sub>	100	V
Peak repetitive reverse voltage	V <sub>RRM</sub>	75	V
Working peak reverse voltage	V <sub>RWM</sub>		
DC blocking voltage	V <sub>R</sub>		
RMS reverse voltage	V <sub>R(RMS)</sub>	53	V
Average rectified output current	I <sub>O</sub>	150	mA
Forward Continuous Current	I <sub>FM</sub>	300	mA
Non-Repetitive Peak Forward Surge Current @ t = 1.0 μs	I <sub>FSM</sub>	2.0	A
@ t = 1.0s		1.0	
Power dissipation	P <sub>D</sub>	400	mW
Typical Thermal Resistance Junction to Ambient	R <sub>θJA</sub>	315	°C/W
Operating and storage temperature range	T <sub>j</sub> , T <sub>stg</sub>	-65 to +150	°C

■ Electrical Characteristics Ta = 25°C

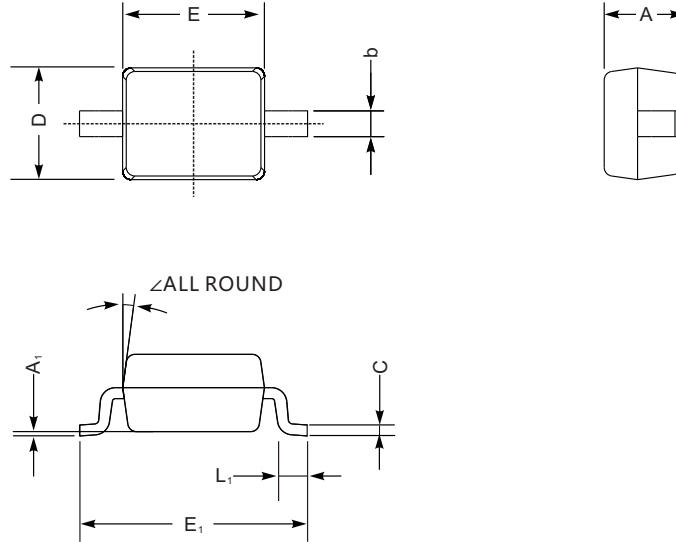
Parameter	Symbol	Test conditions	Min	Typ	Max	Unit
Reverse Breakdown Voltage	V <sub>(BR)R</sub>	I <sub>R</sub> = 1.0 μA	75			V
Forward voltage	V <sub>FM</sub>	I <sub>F</sub> = 1.0mA I <sub>F</sub> = 10mA I <sub>F</sub> = 50mA I <sub>F</sub> = 150mA			0.745 0.855 1.0 1.25	V
Peak Reverse current	I <sub>RM</sub>	V <sub>R</sub> = 75V V <sub>R</sub> = 75V, T <sub>J</sub> = 150°C V <sub>R</sub> = 25V, T <sub>J</sub> = 150°C V <sub>R</sub> = 20V			1.0 50 30 25	μA μA nA nA
Junction Capacitance	C <sub>J</sub>	V <sub>R</sub> = 0, f = 1.0MHz			2.0	pF
Reverse Recovery Time	t <sub>rr</sub>	I <sub>F</sub> = I <sub>R</sub> = 10mA, I <sub>rr</sub> = 0.1xI <sub>R</sub> , R <sub>L</sub> = 100 Ω			4.0	ns

■ Marking

Marking	T6
---------	----

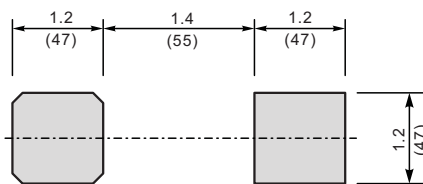
**Package Outline SOD-323**

Plastic surface mounted package; 2 leads



UNIT		A	C	D	E	E <sub>1</sub>	b	L <sub>1</sub>	A <sub>1</sub>	∠
mm	max	1.1	0.15	1.4	1.8	2.75	0.4	0.45	0.2	9°
	min	0.8	0.08	1.2	1.4	2.55	0.25	0.2	—	
mil	max	43	5.9	55	70	108	16	16	8	
	min	32	3.1	47	63	100	9.8	7.9	—	

**The recommended mounting pad size**



Unit:  $\frac{\text{mm}}{\text{(mil)}}$

**Summary of Packing Options**

Package	Packing Description	Packing Quantity	Industry Standard
SOD-323	Tape/Reel, 7" reel	3000	EIA-481-1

## X-ON Electronics

Largest Supplier of Electrical and Electronic Components

*Click to view similar products for* [Diodes - General Purpose, Power, Switching category:](#)

*Click to view products by* [YFW Electronics manufacturer:](#)

Other Similar products are found below :

[MCL4151-TR3](#) [MMBD3004S-13-F](#) [RD0306T-H](#) [1N3611](#) [NTE156A](#) [NTE574](#) [NTE6244](#) [1SS193,LF](#) [1SS400CST2RA](#) [SDAA13](#)  
[SHN2D02FUTW1T1G](#) [LS4151GS08](#) [1N4449](#) [1N456A](#) [1N4934-E3/73](#) [1N914BTR](#) [RFUH20TB3S](#) [D291S45T](#) [BAV300-TR](#) [BAW56DWQ-](#)  
[7-F](#) [BAW56M3T5G](#) [BAW75-TAP](#) [MM230L-CAA](#) [IDW40E65D1](#) [JAN1N3600](#) [JAN1N4454UR-1](#) [LL4151-GS18](#) [SMMSD4148T3G](#)  
[BYW95B/A52A](#) [NSVDAN222T1G](#) [CDSZC01100-HF](#) [LL4150-M-08](#) [1N4454-TR](#) [BAV70HDW-7](#) [BAS28-7](#) [JANTX1N6640](#) [BAW56HDW-](#)  
[13](#) [BAS28 TR](#) [VS-HFA04SD60STR-M3](#) [NSVM1MA152WKT1G](#) [1SS388-TP](#) [RGP30D-E3/73](#) [VS-8EWF02S-M3](#) [BAV99TQ-13-F](#)  
[BAV99HDW-13](#) [MMDB30-E28X](#) [IDP20C65D2XKSA1](#) [LS4148](#) [IDV15E65D2](#) [NSVM1MA152WAT1G](#)