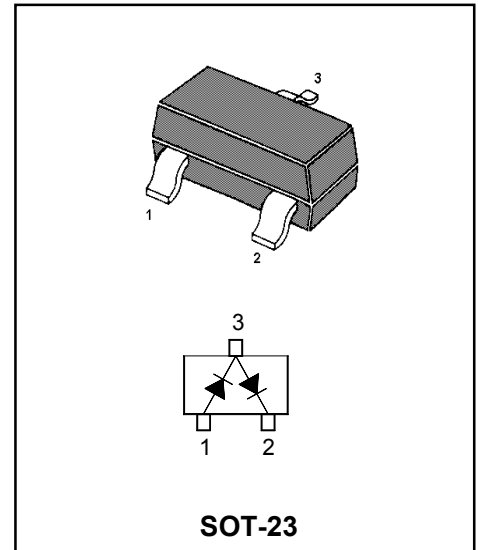


Silicon Epitaxial Planar Diode
FEATURES

- ◆ Very low leakage current
- ◆ Medium speed switching times
- ◆ Series pair configuration

Application

- ◆ Low leakage switching double diode
- ◆ For low leakage current applications


Product Specification Classification

Part Number	Package	Marking	Pack
BAV199	SOT-23	JY	3000PCS/Tape

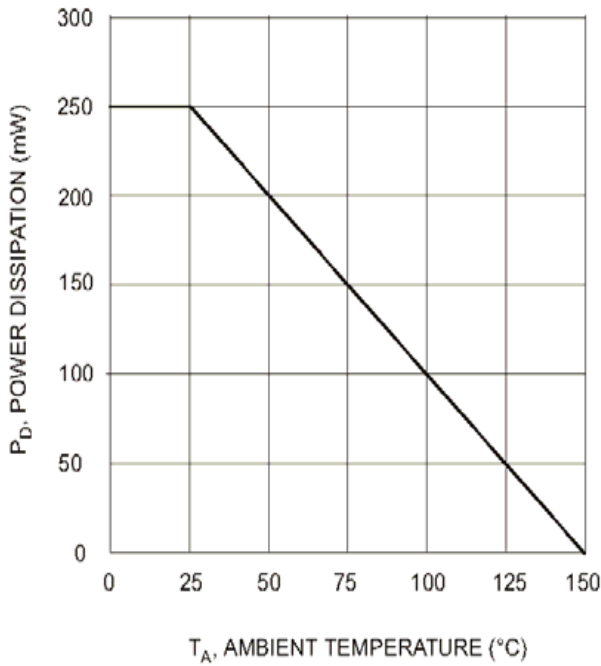
Absolute Maximum Ratings (Ta = 25 °C)

Parameter	Symbol	Value	Unit
Peak Repetitive Reverse Voltage	V_{RRM}	85	V
Continuous Reverse Voltage	V_R	85	V
Continuous Forward Current	Single Diode	160	mA
	Double Diode	140	
Repetitive Peak Forward Current	I_{FRM}	500	mA
Non-Repetitive Peak Forward Surge Current	at t = 1 μ s	4	A
	at t = 1 ms	1	
	at t = 1 s	0.5	
Power Dissipation	P_D	250	mW
Thermal Resistance Junction to Ambient Air	$R_{\theta JA}$	500	$^{\circ}C/W$
Operating and Storage Temperature Range	T_j, T_{stg}	- 65 to + 150	$^{\circ}C$

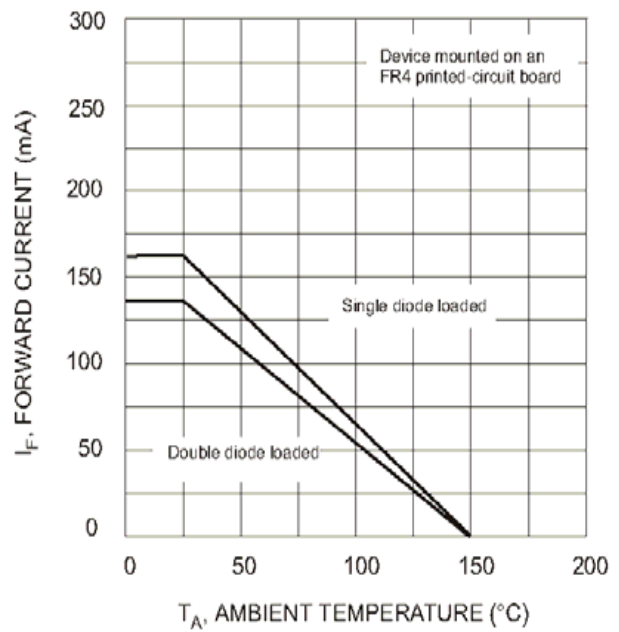
Electrical Characteristics (Ta = 25 °C)

Parameter	Symbol	Min.	Typ.	Max.	Unit
Reverse Breakdown Voltage at $I_R = 100 \mu A$	$V_{(BR)R}$	85	-	-	V
Forward Voltage at $I_F = 1 mA$ at $I_F = 10 mA$ at $I_F = 50 mA$ at $I_F = 150 mA$	V_F	-	-	0.9 1 1.1 1.25	V
Reverse Current at $V_R = 75 V$ at $V_R = 75 V, T_j = 150 ^{\circ}C$	I_R	-	-	5	nA
	I_R	-	-	80	
Total Capacitance at $V_R = 0, f = 1 MHz$	C_T	-	2	-	pF
Reverse Recovery Time at $I_F = I_R = 10 mA, I_{rr} = 0.1 \times I_R, R_L = 100 \Omega$	t_{rr}	-	-	3	μs

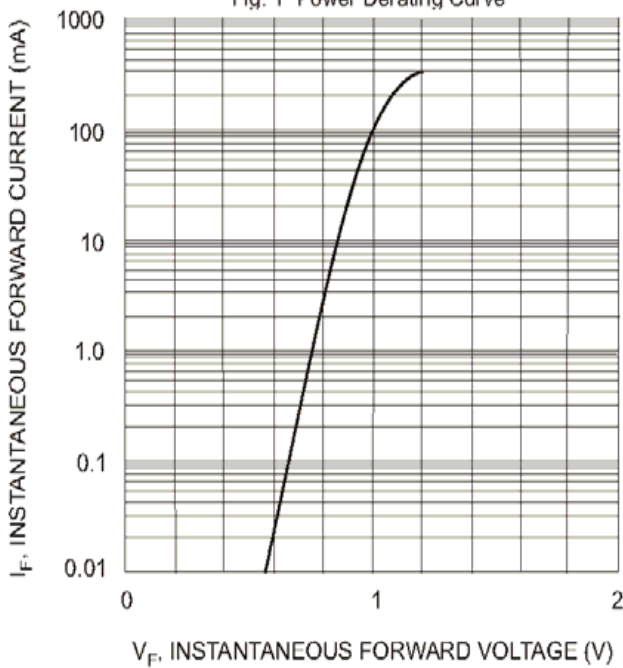
Ratings and Characteristic Curves



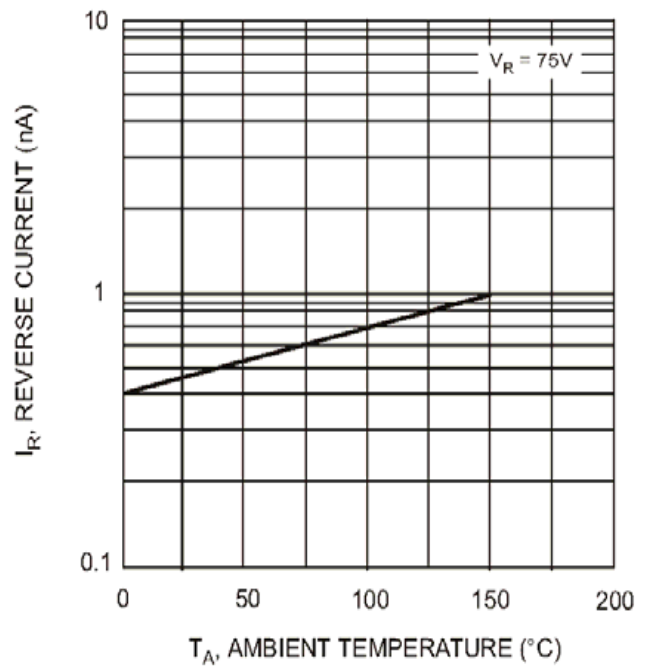
T_A, AMBIENT TEMPERATURE (°C)
Fig. 1 Power Derating Curve



T_A, AMBIENT TEMPERATURE (°C)
Fig. 2 Current Derating Curve



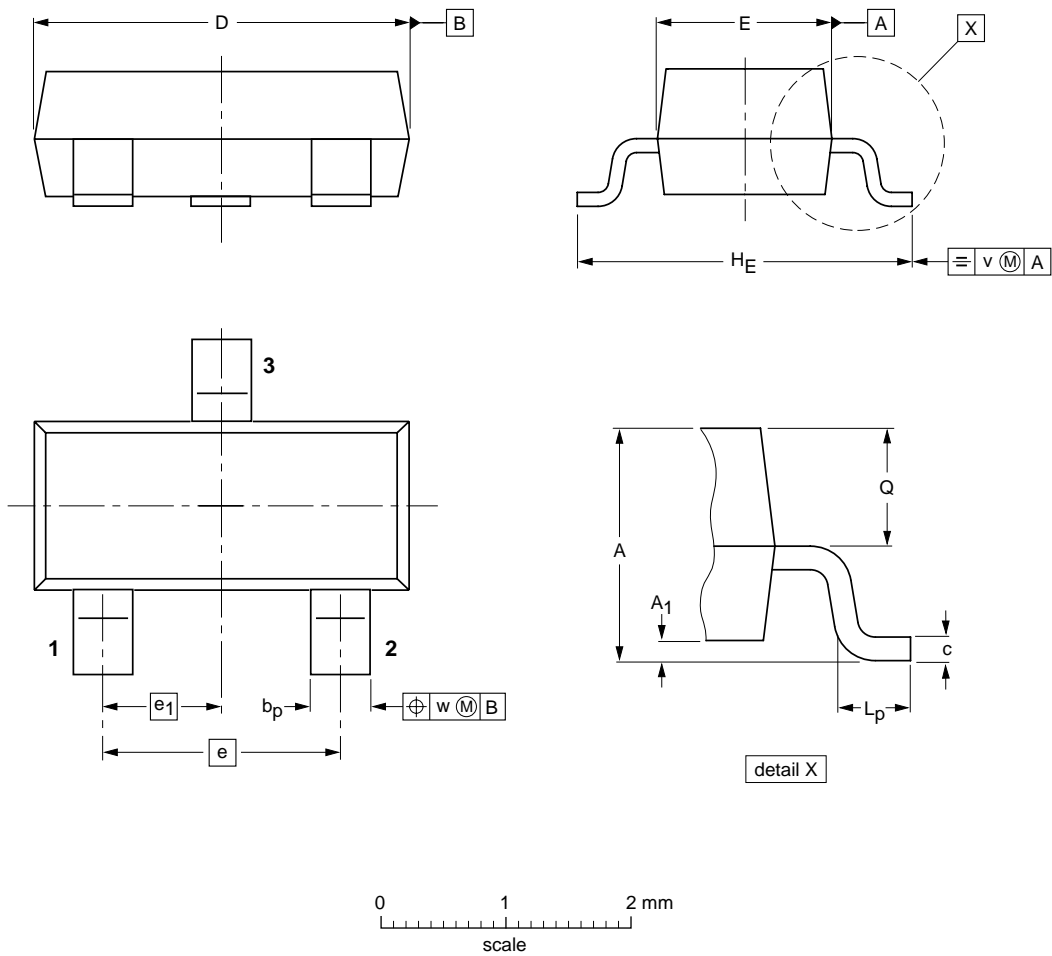
V_F, INSTANTANEOUS FORWARD VOLTAGE (V)
Fig. 3 Typical Forward Characteristics



T_A, AMBIENT TEMPERATURE (°C)
Fig. 4 Typical Reverse Characteristics

Package Outline

SOT-23



DIMENSIONS (mm are the original dimensions)

UNIT	A	A ₁ max.	b _p	c	D	E	e	e ₁	H _E	L _p	Q	v	w
mm	1.1 0.9	0.1	0.48 0.38	0.15 0.09	3.0 2.8	1.4 1.2	1.9	0.95	2.5 2.1	0.45 0.15	0.55 0.45	0.2	0.1

X-ON Electronics

Largest Supplier of Electrical and Electronic Components

Click to view similar products for [Diodes - General Purpose, Power, Switching category:](#)

Click to view products by [YFW Electronics manufacturer:](#)

Other Similar products are found below :

[MMBD3004S-13-F](#) [1N3611](#) [NTE156A](#) [NTE6244](#) [1SS400CST2RA](#) [SDAA13](#) [SHN2D02FUTW1T1G](#) [1N4449](#) [1N456A](#) [1N914BTR](#)
[D291S45T](#) [BAS 16-02L E6327](#) [BAS 16-02V H6327](#) [BAS 21U E6327](#) [BAS 28 E6327](#) [BAW56DWQ-7-F](#) [BAW56M3T5G](#) [BAW75-TAP](#)
[MM230L-CAA](#) [IDW40E65D1](#) [JAN1N3600](#) [JAN1N4454UR-1](#) [SMMSD4148T3G](#) [BYW95B/A52A](#) [NSVDAN222T1G](#) [CDSZC01100-HF](#)
[BAV70HDW-7](#) [BAS28-7](#) [JANTX1N6640](#) [BAW56HDW-13](#) [BAS28 TR](#) [VS-HFA04SD60STR-M3](#) [1SS388-TP](#) [BAV99TQ-13-F](#)
[BAV99HDW-13](#) [1N4004](#) [MMDB30-E28X](#) [LS4148](#) [IDV15E65D2](#) [W0503RH200S0L](#) [M0268SJ200NLF](#) [M0268RJ200NLF](#) [S3MBF](#) [US1J](#)
[DAN217U-TP](#) [SHV-06JNS-Q](#) [IDW30C65D1](#) [IDW80C65D1](#) [VS-HFA30TA60CSR-M3](#) [M1MA152WAT1](#)