

**Standard Surface Mounted Rectifiers**

**Reverse Voltage - 50 to 1000 V**

**Forward Current - 1.0 A**



**FEATURES**

- ◆The plastic package carries Underwriters Laboratory Flammability Classification 94V-0
- ◆Idea for surface mounted application
- ◆Glass passivated junction chip
- ◆Low reverse leakage
- ◆High forward surge current capability
- ◆High temperature soldering guaranteed 260°C/10 seconds at terminals

**MECHANICAL DATA**

- ◆Case : Molded plastic body
- ◆Terminals : Solder plated, solderable per MIL-STD-750, Method 2026
- ◆Polarity : Polarity symbol marking on body
- ◆Mounting Position : Any
- ◆Weight : 0.0045 ounce, 0.1296 grams

**Maximum Ratings And Electrical Characteristics**

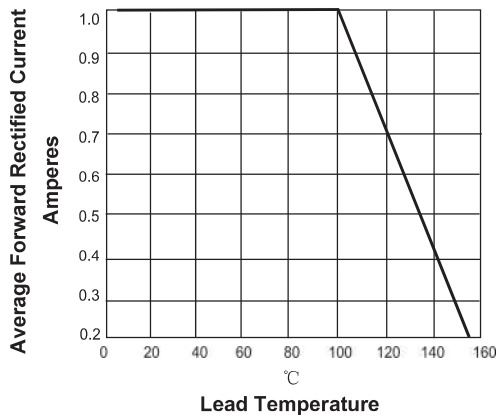
Ratings at 25°C ambient temperature unless otherwise specified. Single phase half-wave 60Hz, resistive or inductive load, for capacitive load current derate by 20%.

Parameter	Symbols	DL4001	DL4002	DL4003	DL4004	DL4005	DL4006	DL4007	Units
Maximum Repetitive Peak Reverse Voltage	$V_{RRM}$	50	100	200	400	600	800	1000	V
Maximum RMS voltage	$V_{RMS}$	35	70	140	280	420	560	700	V
Maximum DC Blocking Voltage	$V_{DC}$	50	100	200	400	600	800	1000	V
Maximum Average Forward Rectified Current at $T_L=100^\circ\text{C}$	$I_{(AV)}$	1.0							A
Peak Forward Surge Current, 8.3ms Single Half Sine-wave Superimposed On Rated Load	$I_{FSM}$	30							A
Maximum Instantaneous Forward Voltage at 1.0 A	$V_F$	1.0							V
Maximum DC reverse current at rated DC blocking voltage $T_A = 25^\circ\text{C}$ $T_A = 125^\circ\text{C}$	$I_R$	2 200							$\mu\text{A}$
Typical junction capacitance (Note1)	$C_J$	15							pF
Typical Thermal Resistance	$R_{\theta JA}$	75							$^\circ\text{C/W}$
Operating Junction Temperature Range	$T_J$	-55 ~ +150							$^\circ\text{C}$
Storage Temperature Range	$T_{stg}$	-55 ~ +150							$^\circ\text{C}$

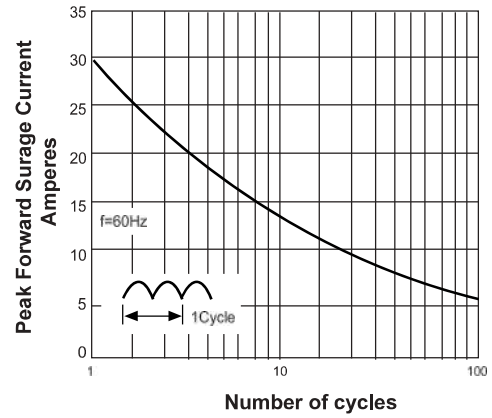
Note:1.Measured at 1MHz and applied reverse voltage of 4.0V D.C.

**Ratings And Characteristic Curves**

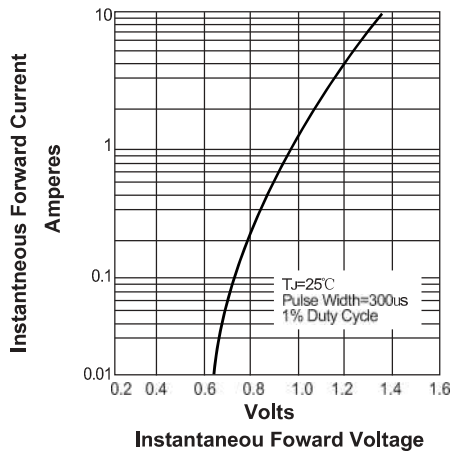
**FIG. 1- DERATING CURVE OUTPUT RECTIFIED CURRENT**



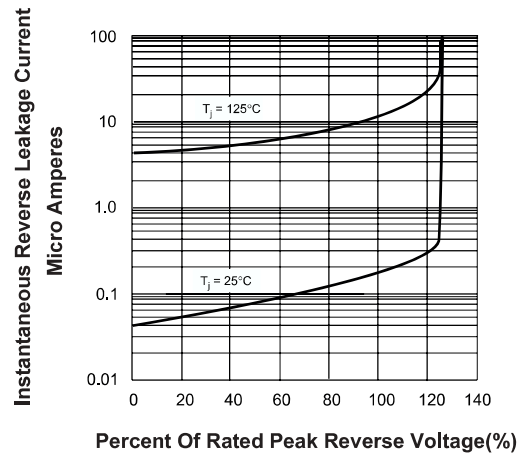
**FIG. 2-MAXIMUM NON-REPETITIVE PEAK FORWARD SURGE CURRENT PER LEG**



**FIG. 3-TYPICAL FORWARD VOLTAGE CHARACTERISTICS**

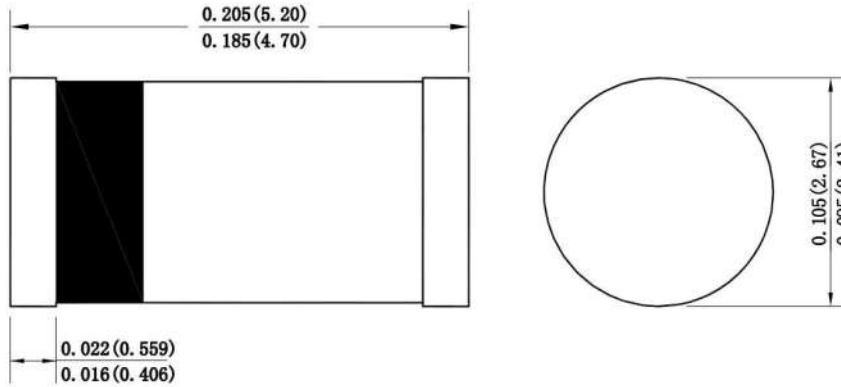


**FIG. 4-TYPICAL REVERSE LEAKAGE CHARACTERISTICS**

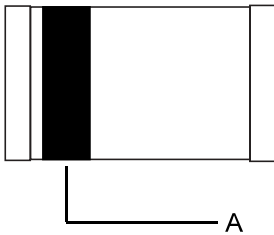


**Package Outline**

**DO-213AB/MELF**



**Marking**



Symbol	Explanation
A	Color Band Denotes Cathode

**Summary of Packing Options**

Package	Packing Description	Packing Quantity	Industry Standard
DO-213AB MELF	Tape/Reel, 13" reel	5000	EIA-481-1

## X-ON Electronics

Largest Supplier of Electrical and Electronic Components

*Click to view similar products for* [Diodes - General Purpose, Power, Switching category:](#)

*Click to view products by* [YFW Electronics manufacturer:](#)

Other Similar products are found below :

[MMBD3004S-13-F](#) [1N3611](#) [NTE156A](#) [NTE6244](#) [1SS400CST2RA](#) [SDAA13](#) [SHN2D02FUTW1T1G](#) [1N4449](#) [1N456A](#) [1N914BTR](#)  
[D291S45T](#) [BAS 16-02L E6327](#) [BAS 16-02V H6327](#) [BAS 21U E6327](#) [BAS 28 E6327](#) [BAW56DWQ-7-F](#) [BAW56M3T5G](#) [BAW75-TAP](#)  
[MM230L-CAA](#) [IDW40E65D1](#) [JAN1N3600](#) [JAN1N4454UR-1](#) [SMMSD4148T3G](#) [BYW95B/A52A](#) [NSVDAN222T1G](#) [CDSZC01100-HF](#)  
[BAV70HDW-7](#) [BAS28-7](#) [JANTX1N6640](#) [BAW56HDW-13](#) [BAS28 TR](#) [VS-HFA04SD60STR-M3](#) [1SS388-TP](#) [BAV99TQ-13-F](#)  
[BAV99HDW-13](#) [1N4004](#) [MMDB30-E28X](#) [LS4148](#) [IDV15E65D2](#) [W0503RH200S0L](#) [W0503SH200S0L](#) [M0268SJ200NLF](#)  
[M0268RJ200NLF](#) [S3MBF](#) [US1J](#) [DAN217U-TP](#) [SHV-06JNS-Q](#) [IDW30C65D1](#) [IDW80C65D1](#) [VS-HFA30TA60CSR-M3](#)