

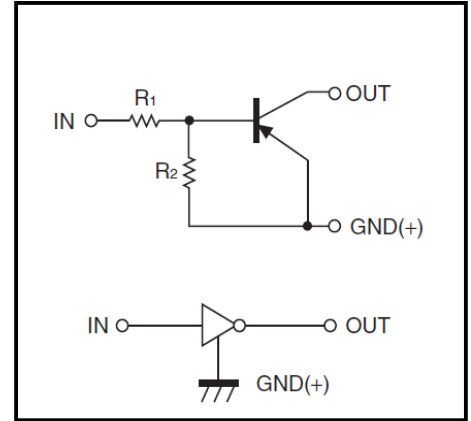
**Digital Transistors (Built-in Resistors)**

DIGITAL TRANSISTOR (PNP)

**FEATURES**

- ◆ Built-in bias resistors enable the configuration of an inverter circuit without connecting external input resistors(see equivalent circuit)
- ◆ The bias resistors consist of thin-film resistors with complete isolation to allow positive biasing of the input.They also have the advantage of almost completely eliminating parasitic effects
- ◆ Only the on/off conditions need to be set for operation, making device design easy

**Equivalent Circuit**



**MARKING: 13**

**PIN CONNENCTIONS and MARKING**

<p><b>DTA143EE</b></p>	<p><b>SOT-523</b></p> <p>1. IN 2. GND 3. OUT</p>	<p><b>DTA143EUA</b></p>	<p><b>SOT-323</b></p> <p>1. IN 2. GND 3. OUT</p>
<p><b>DTA143EKA</b></p>	<p><b>SOT23-3L</b></p> <p>1. IN 2. GND 3. OUT</p>	<p><b>DTA143ECA</b></p>	<p><b>SOT-23</b></p> <p>1. IN 2. GND 3. OUT</p>

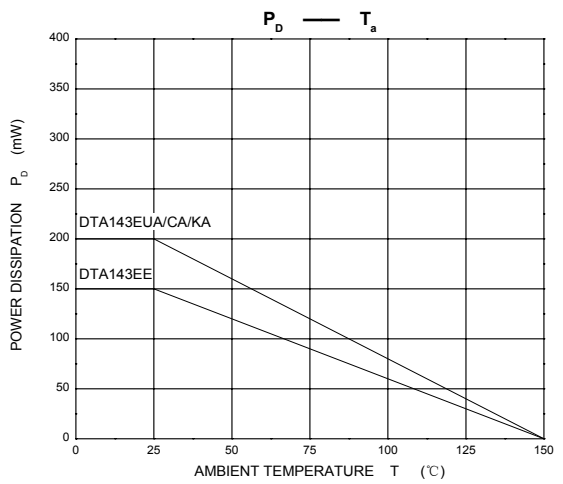
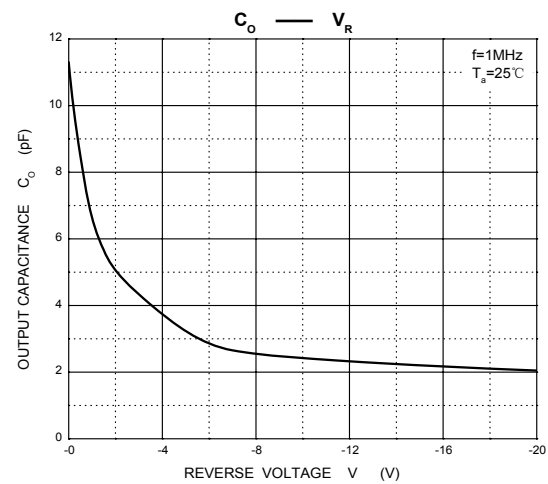
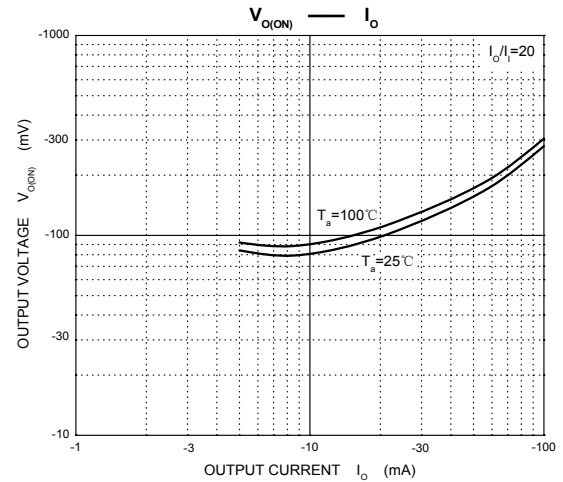
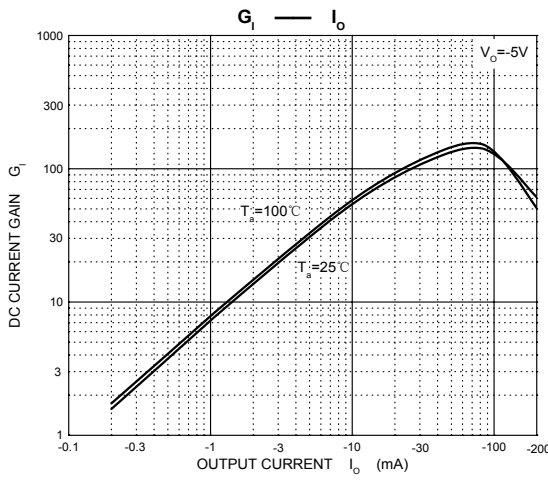
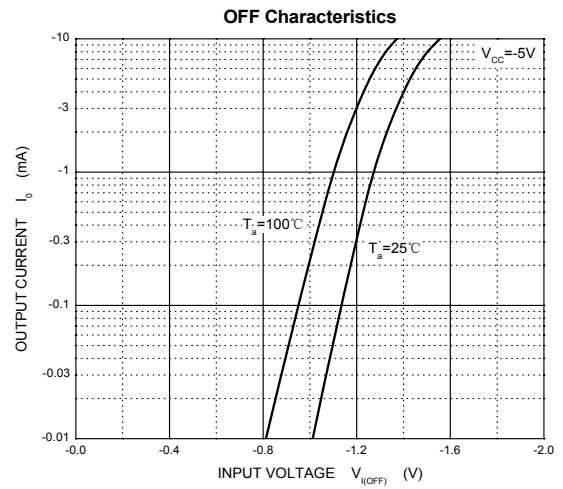
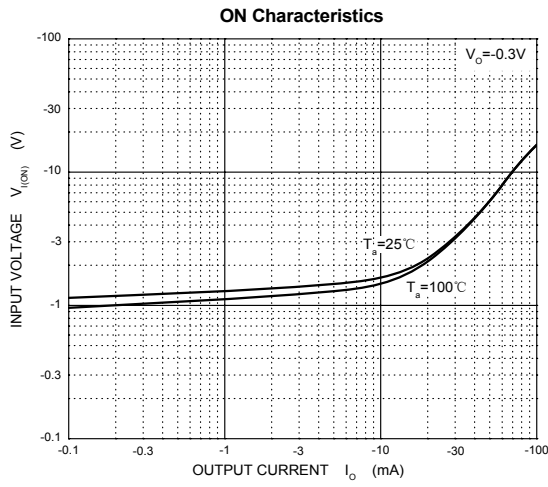
**MAXIMUM RATINGS**( $T_a=25^{\circ}\text{C}$  unless otherwise noted)

Symbol	Parameter	Limits(DTA143E□)				Unit
		E	UA	KA	CA	
$V_{CC}$	Supply Voltage	-50				V
$V_{IN}$	Input Voltage	-30~+10				V
$I_o$	Output Current	-100				mA
$P_D$	Power Dissipation	150	200	200	200	mW
$T_j$	Junction Temperature	150				$^{\circ}\text{C}$
$T_{stg}$	Storage Temperature	-55~+150				$^{\circ}\text{C}$

**ELECTRICAL CHARACTERISTICS** ( $T_a=25^{\circ}\text{C}$  unless otherwise specified)

Parameter	Symbol	Conditions	Min	Typ	Max	Unit
Input voltage	$V_{I(off)}$	$V_{CC}=-5V, I_o=-100\mu\text{A}$	-0.5			V
	$V_{I(on)}$	$V_o=-0.3V, I_o=-20\text{mA}$			-3	V
Output voltage	$V_{O(on)}$	$I_o/I_i=-10\text{mA}/-0.5\text{mA}$			-0.3	V
Input current	$I_i$	$V_i=-5V$			-1.8	mA
Output current	$I_{O(off)}$	$V_{CC}=-50V, V_i=0$			-0.5	$\mu\text{A}$
DC current gain	$G_1$	$V_o=-5V, I_o=-10\text{mA}$	30			
Input resistance	$R_1$		3.29	4.7	6.11	k $\Omega$
Resistance ratio	$R_2/R_1$		0.8	1	1.2	
Transition frequency	$f_T$	$V_o=-10V, I_o=-5\text{mA}, f=100\text{MHz}$		250		MHz

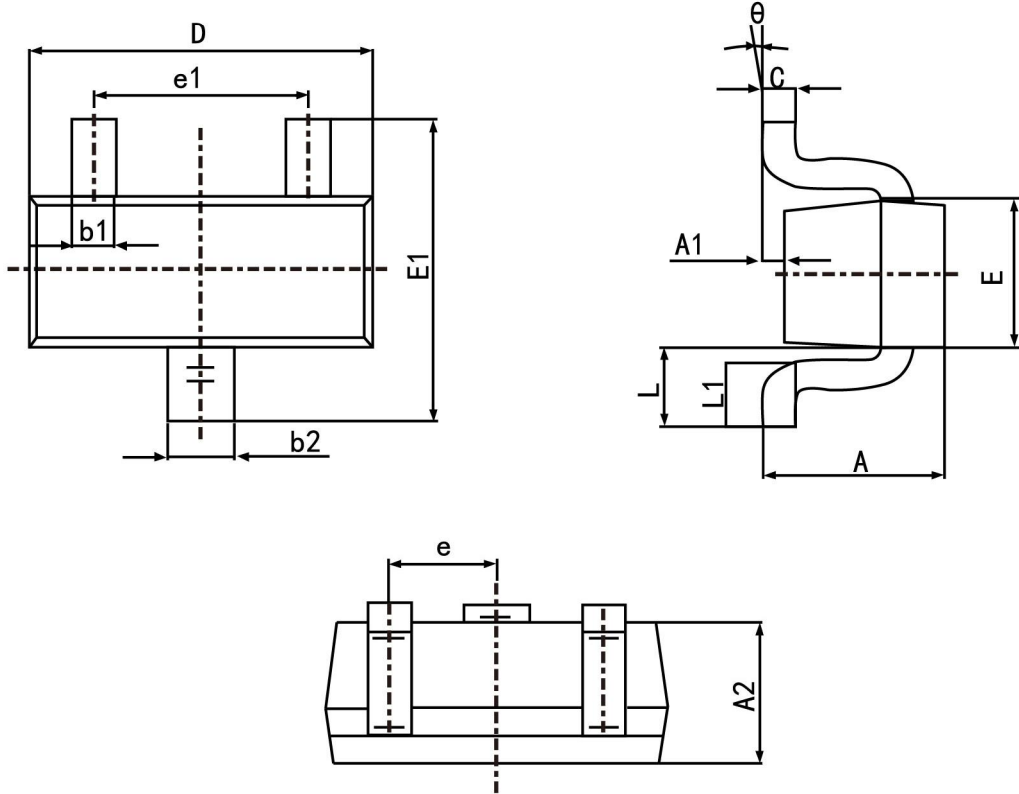
Typical Characteristics



**Package Outline**

**SOT-523**

Plastic surface mounted package; 3 leads



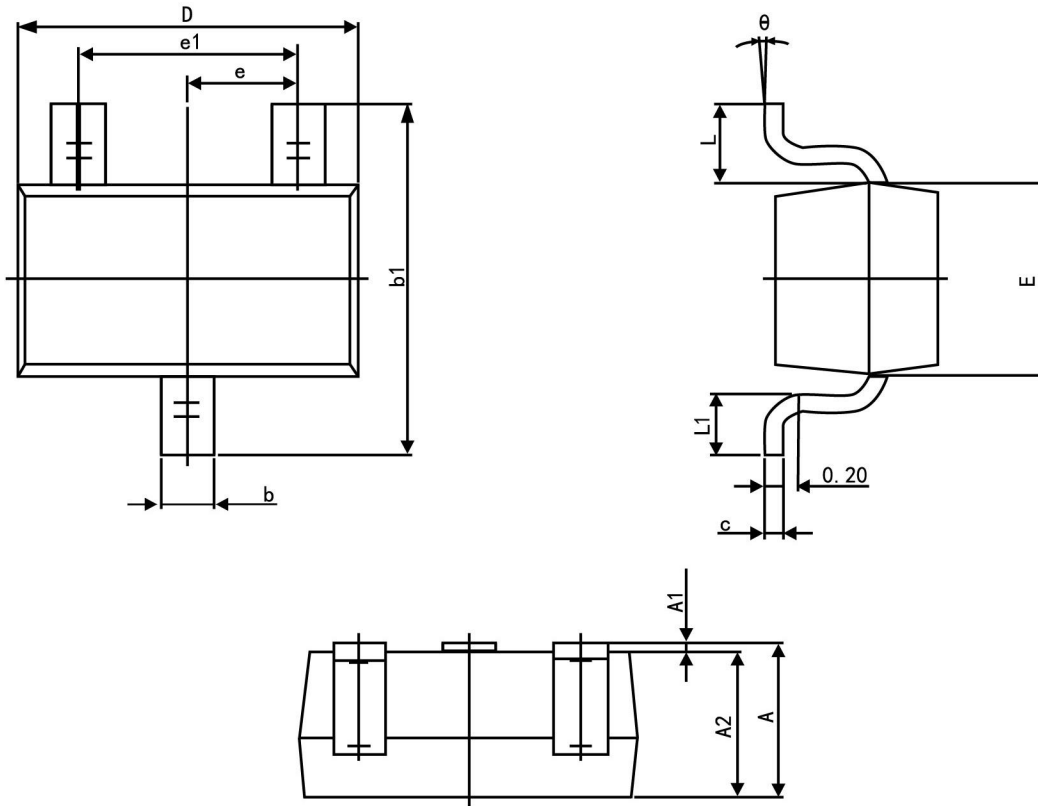
Symbol	Dimension in Millimeters	
	Min	Max
A	0.700	0.900
A1	0.000	0.100
A2	0.700	0.800
b1	0.150	0.250
b2	0.250	0.350
c	0.100	0.200
D	1.500	1.700
E	0.700	0.900
E1	1.450	1.750
e	0.500	TYP.
e1	0.900	1.100
L	0.400 REF.	
L1	0.260	0.460
$\theta$	0°	8°

**Summary of Packing Options**

Package	Packing Description	Packing Quantity	Industry Standard
SOT-523	Tape/Reel, 7" reel	3000	EIA-481-1

Package Outline

SOT-323



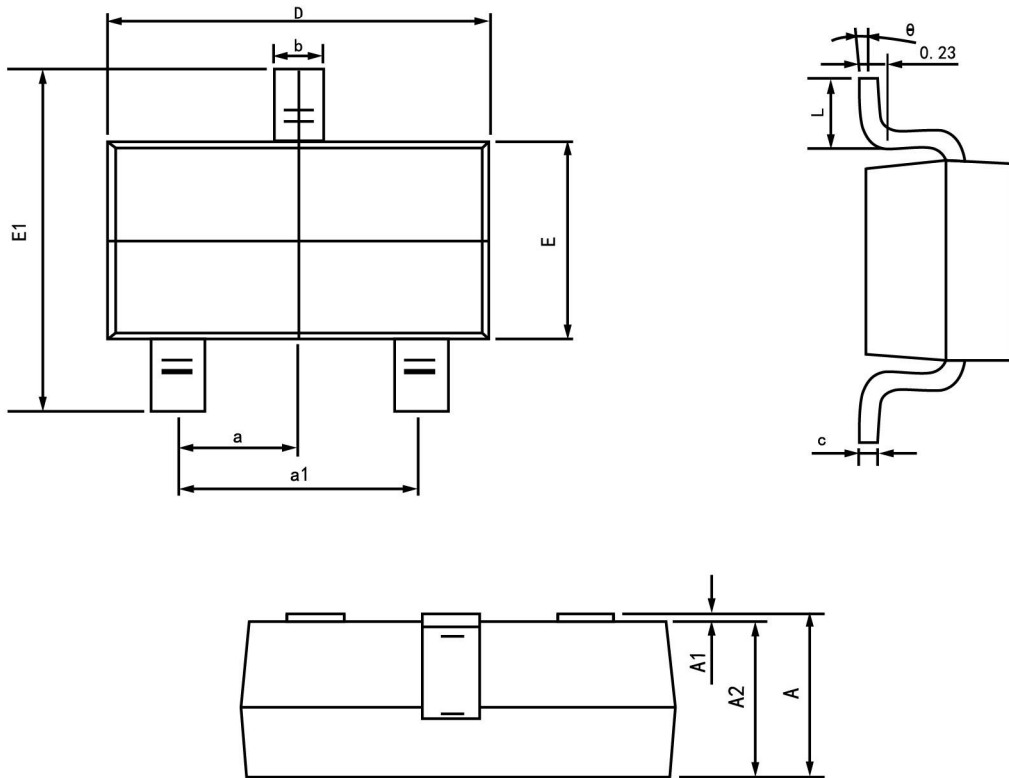
Symbol	Dimension in Millimeters	
	Min	Max
A	0.900	1.100
A1	0.000	0.100
A2	0.900	1.000
b	0.200	0.400
c	0.080	0.150
D	2.000	2.200
E	1.150	1.350
E1	2.150	2.450
e	0.650 TYP.	
e1	1.200	1.400
L	0.525 REF.	
L1	0.260	0.460
θ	0°	8°

Summary of Packing Options

Package	Package Description	Packing Quantity	Industry Standard
SOT-323	Tape/Reel,7"reel	3000	EIA-481-1

Package Outline

SOT23-3L



Symbol	Dimension in Millimeters	
	Min	Max
A	1.050	1.250
A1	0.000	0.100
A2	1.050	1.150
b	0.300	0.500
c	0.100	0.200
D	2.820	3.020
E	1.500	1.700
E1	2.650	2.950
e	0.950 (Basic)	
e1	1.800	2.000
L	0.300	0.600
$\theta$	0°	8°

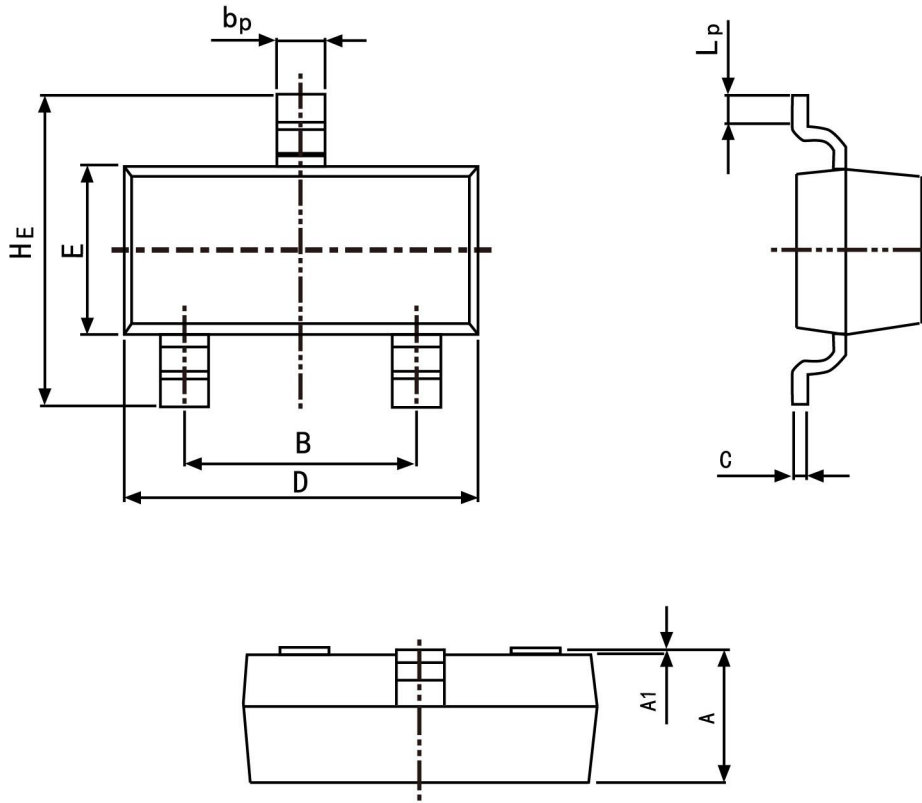
Summary of Packing Options

Package	Package Description	Packing Quantity	Industry Standard
SOT23-3L	Tape/Reel, 7" reel	3000	EIA-481-1

**Package Outline**

**SOT-23**

Plastic surface mounted package; 3 leads



Symbol	Dimension in Millimeters	
	Min	Max
A	0.95	1.40
B	1.78	2.04
bp	0.35	0.50
C	0.08	0.19
D	2.70	3.10
E	1.20	1.65
HE	2.20	3.00
A1	0.100	0.013
Lp	0.20	0.50

**Summary of Packing Options**

Package	Packing Description	Packing Quantity	Industry Standard
SOT-23	Tape/Reel, 7" reel	3000	EIA-481-1

## X-ON Electronics

Largest Supplier of Electrical and Electronic Components

*Click to view similar products for [Bipolar Transistors - Pre-Biased](#) category:*

*Click to view products by [YFW Electronics](#) manufacturer:*

Other Similar products are found below :

[RN1302TE85LF](#) [DRC9A14E0L](#) [DTA124GKAT146](#) [DTA144WETL](#) [DTA144WKAT146](#) [DTC113EET1G](#) [DTC115TETL](#) [DTC115TKAT146](#)  
[DTC144VUAT106](#) [MUN5241T1G](#) [BCR158WH6327XTSA1](#) [SMUN5330DW1T1G](#) [RN1306\(TE85L,F\)](#) [EMH15T2R](#) [NSBC143ZPDP6T5G](#)  
[DTC114EUA-TP](#) [SMUN5237DW1T1G](#) [SMUN5213DW1T1G](#) [SMUN5114DW1T1G](#) [DTC124ECA-TP](#) [DTA114ECA-TP](#) [DTC113EM3T5G](#)  
[NSVMUN5135DW1T1G](#) [NSVMUN2237T1G](#) [NSVDTC143ZM3T5G](#) [SMUN5335DW1T2G](#) [SMUN5216DW1T1G](#) [NSVMUN5316DW1T1G](#)  
[NSVMUN5215DW1T1G](#) [NSVMUN5213DW1T3G](#) [NSVIMD10AMT1G](#) [NSVEMC2DXV5T1G](#) [NSVDTC144WET1G](#) [NSVDTC123JET1G](#)  
[NSVDTA143EM3T5G](#) [NSVB1706DMW5T1G](#) [NSBC143EDP6T5G](#) [NSBA144WDXV6T1G](#) [DTA115TET1G](#) [NSBC115TDP6T5G](#)  
[NSBA113EF3T5G](#) [MUN2235T1G](#) [NSBC143ZDXV6T5G](#) [NSVDTA114EM3T5G](#) [MUN2138T1G](#) [DCX124EUQ-7-F](#) [MUN2141T1G](#)  
[DTC144TET1G](#) [MUN2238T1G](#) [SMUN5112DW1T1G](#)