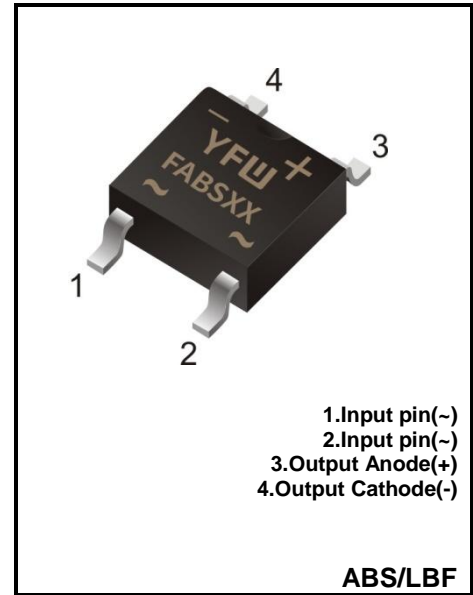


2.0A SURFACE MOUNT GLASS PASSIVATED BRIDGE RECTIFIER
Reverse Voltage - 600 to 1000 V
Forward Current – 2.0A

FEATURES

- ◆Fast reverse recovery time
- ◆Designed for Surface Mount Application
- ◆Glass Passivated Chip Junction
- ◆Low power loss, high efficiency
- ◆Lead free in comply with EU RoHS 2011/65/EU directives



MECHANICAL DATA

- ◆Case: ABS/LBF
- ◆Terminals: Solderable per MIL-STD-750, Method 2026
- ◆Approx. Weight: 88mg / 0.0031oz

Maximum Ratings and Electrical characteristics

Ratings at 25 °C ambient temperature unless otherwise specified.

Single phase half-wave 60 Hz, resistive or inductive load, for capacitive load current derate by 20 %.

| Parameter | Symbols | FABS206 | FABS208 | FABS210 | Units |
|---|----------------|------------|---------|---------|------------------|
| Maximum Repetitive Peak Reverse Voltage | V_{RRM} | 600 | 800 | 1000 | V |
| Maximum RMS voltage | V_{RMS} | 420 | 560 | 700 | V |
| Maximum DC Blocking Voltage | V_{DC} | 600 | 800 | 1000 | V |
| Average Rectified Output Current at $T_c = 125\text{ }^\circ\text{C}$ | I_o | 2.0 | | | A |
| Peak Forward Surge Current 8.3 ms Single Half Sine-Wave Superimposed on Rated Load (JEDEC method) | I_{FSM} | 55 | | | A |
| Forward Voltage per element at 2.0A | V_F | 1.0 | | | V |
| Maximum DC Reverse Current @ $T_A=25\text{ }^\circ\text{C}$ at Rated DC Blocking Voltage @ $T_A=125\text{ }^\circ\text{C}$ | I_R | 5.0 100 | | | μA |
| Typical Junction Capacitance ^(Note1) | C_j | 40 | | | pF |
| Maximum Reverse Recovery Time ^(Note2) IF=0.5A, IR=1A, IRR=0.25A | T_{RR} | 10 | | | uS |
| I ² trating for fusing (1ms<t<10ms) | I^2t | 15 | | | A ² S |
| Operating and Storage Temperature Range | T_j, T_{stg} | -55 ~ +175 | | | °C |

(1) Measured at 1 MHz and applied reverse voltage of 4 V D.C

(2) Mounted on glass epoxy PC board with 4x1.5"x1.5" (3.81x3.81 cm) copper pad.

Fig.1 Average Rectified Output Current Derating Curve

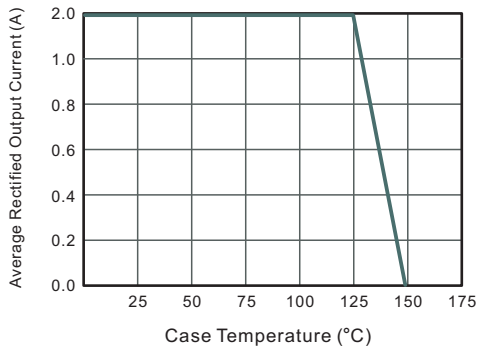


Fig.2 Typical Reverse Characteristics

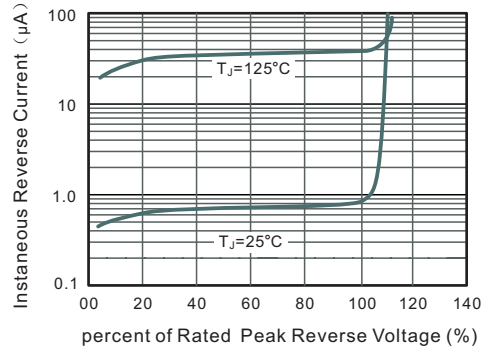


Fig.3 Typical Instantaneous Forward Characteristics

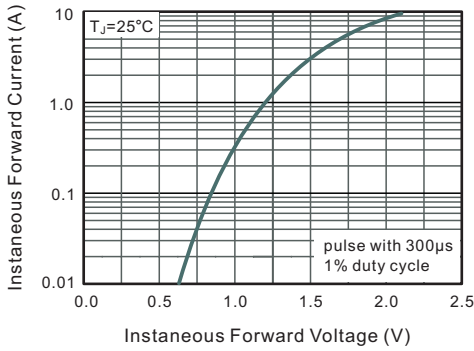


Fig.4 Typical Junction Capacitance

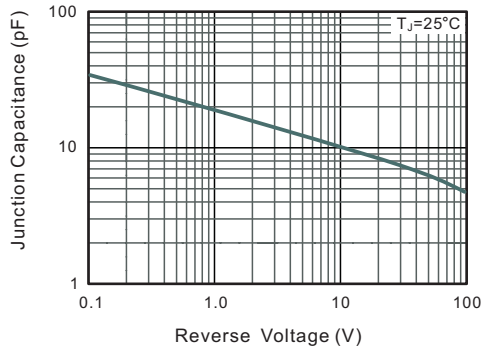
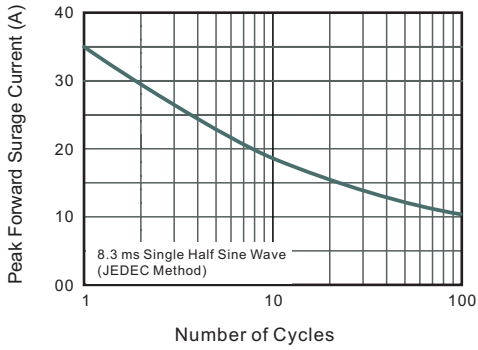


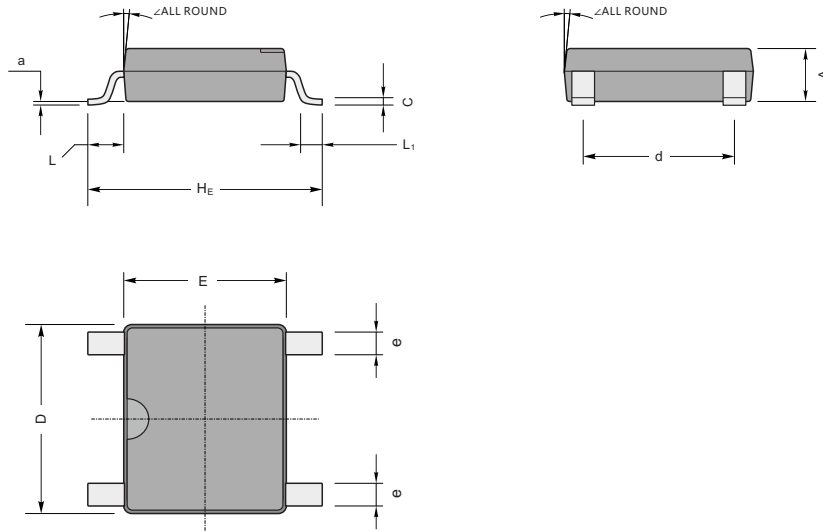
Fig.5 Maximum Non-Repetitive Peak Forward Surge Current



Package Outline

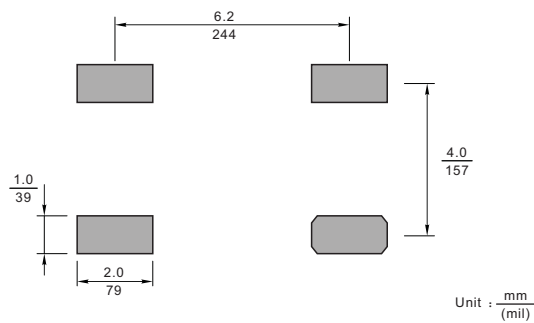
ABS/LBF

Plastic surface mounted package; 4 leads



| UNIT | | A | C | D | E | H _E | d | e | L | L ₁ | a | ∠ |
|------|-----|-----|------|-----|-----|----------------|-----|-----|------|----------------|-----|----|
| mm | max | 1.5 | 0.22 | 5.2 | 4.5 | 6.4 | 4.2 | 0.7 | 0.95 | 0.6 | 0.2 | 7° |
| | min | 1.3 | 0.15 | 4.9 | 4.2 | 6.0 | 3.8 | 0.5 | | | | |
| mil | max | 59 | 8.7 | 205 | 177 | 252 | 165 | 28 | 37 | 24 | 8 | |
| | min | 51 | 5.9 | 193 | 166 | 236 | 150 | 20 | | | | |

The recommended mounting pad size



Summary of Packing Options

| Package | Packing Description | Packing Quantity | Industry Standard |
|---------|---------------------|------------------|-------------------|
| ABS/LBF | Tape/Reel, 13" reel | 5000 | EIA-481-1 |

X-ON Electronics

Largest Supplier of Electrical and Electronic Components

Click to view similar products for [Bridge Rectifiers](#) category:

Click to view products by [YFW Electronics](#) manufacturer:

Other Similar products are found below :

[MB2510](#) [MB252](#) [MB356G](#) [MB358G](#) [MP358-BP](#) [90MT160KPBF](#) [GBJ1504-BP](#) [GBU10B-BP](#) [GBU15J-BP](#) [GBU15K-BP](#) [GBU4A-BP](#)
[GBU4D-BP](#) [GBU6B-E3/45](#) [GSIB680-E3/45](#) [DB101-BP](#) [DF01](#) [DF10SA-E345](#) [BU1508-E3/45](#) [BU1510-E3/45](#) [KBPC50-10S](#) [RS405GL-BP](#)
[G5SBA60-E3/51](#) [GBJ1502-BP](#) [GBU10J-BP](#) [GBU6M](#) [GBU8D-BP](#) [GBU8J-BP](#) [GSIB1520-E3/45](#) [TB102M](#) [MB1510](#) [MB6M-G](#) [MB86](#)
[TL401G](#) [MDA920A2](#) [TU602](#) [TU810](#) [MP501W-BP](#) [MP502-BP](#) [BR1005-BP](#) [BR101-BP](#) [BR84DTP204](#) [BU1010A-E3/51](#) [BU1508-E3/51](#)
[BU2008-E3/51](#) [US15KB80R-7000](#) [KBPC25-02](#) [VS-2KBB60](#) [VS-60MT120KPBF](#) [DB105-BP](#) [DF1510S](#)