

25A HIGH CURRENT GLASS PASSIVATED SINGLE_PHASE BRIDGE RECTIFIFR

Reverse Voltage - 200 to 1000 V

Forward Current – 25 A

FEATURES

- ✦ The plastic package has Underwriters Laboratory flammability recognition 94V-0
- ✦ Integrally molded heatsink provide very low thermal resistance for maximum heat dissipation
- ✦ Universal 3_way terminals; snap_on, wire wrap_around, or P.C. Board mounting
- ✦ Surge overload ratings to 400 Amperes
- ✦ Glass passivated chip junctions
- ✦ High temperature soldering guaranteed: 260°C/10 seconds at 5lbs., (2.3kg)tension

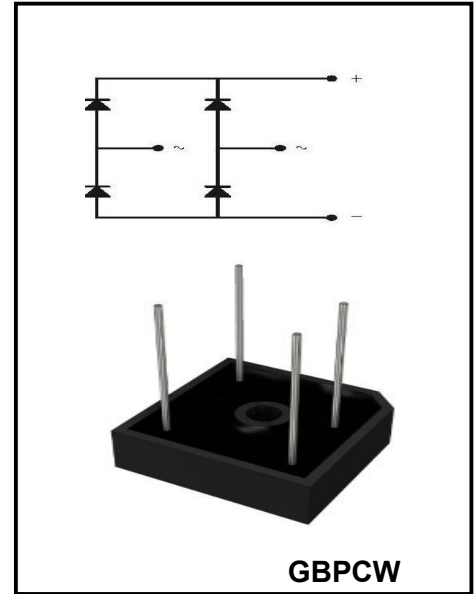
MECHANICAL DATA

- ✦ MECHANICAL DATA Terminals:Nickelplaed.25 " (6.35mm) Faston lugs
- ✦ Mounting position: Bolt doen on heat_sink with Silicone thermal compound between bridge and Mounting surface for maximum heat transfer efficiency. with number 5 screw
- ✦ polarity: polarity symbols molded on body
- ✦ Weight: 12 grams

Maximum Ratings and Electrical characteristics

Ratings at 25 °C ambient temperature unless otherwise specified.

Parameter	Symbols	GBPC 2502W	GBPC 2504W	GBPC 2506W	GBPC 2508W	GBPC 2510W	Units	
Maximum Repetitive Peak Reverse Voltage	V_{RRM}	200	400	600	800	1000	V	
Maximum RMS voltage	V_{RWM}	140	280	420	560	700	V	
Maximum DC Blocking Voltage	V_{RMS}	200	400	600	800	1000	V	
Average rectified forward current (50Hz Sine wave resistance load Tc=85°C)	I_o	25						A
Peak Surge forward Current (Non-repetitive 50Hz 10ms Sine wave Tj=25°C)	I_{FSM}	400						A
Dielectric strength (Terminals to case AC 1 minute)	V_{dia}	2						KV
Forward Voltage per element @IF =12.5A and 25°C	V_F	1.05						V
Reverse current(VR=VRM)	I_R	10						μA
Thermal reslstance(Junction to Case)	Q_{Jc}	1.5						°C/W
Operating and Storage Temperature Range	T_J, T_{stg}	-40 ~ 150						°C



Rating and Characteristic Curves

FIG1:Io-Tc Curve

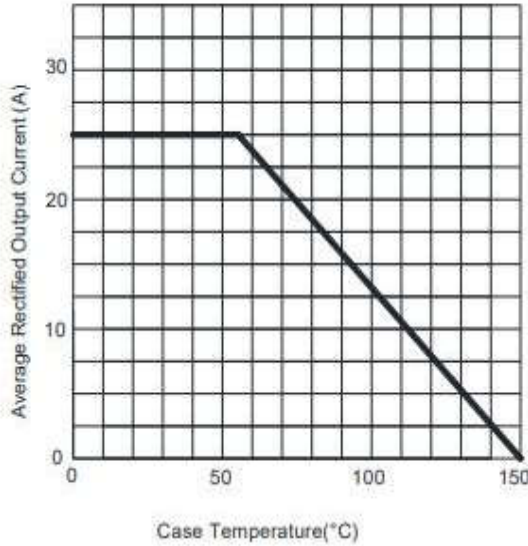


FIG2:Surge Forward Current Capability

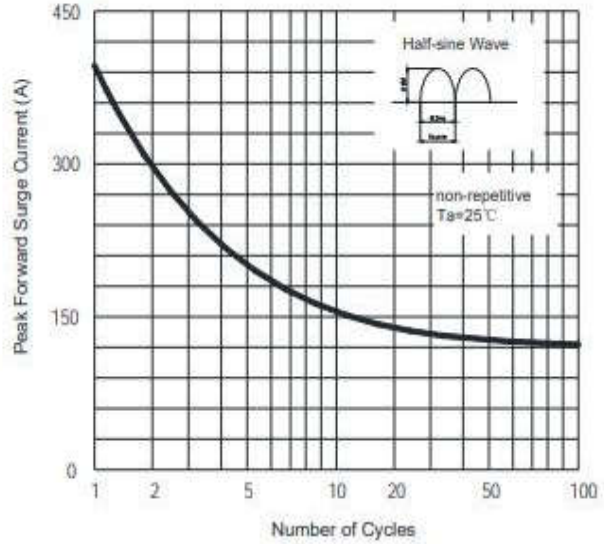


FIG3:Instantaneous Forward Voltage

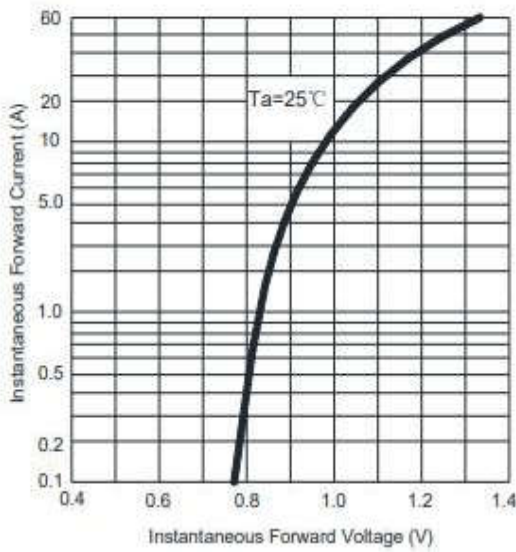
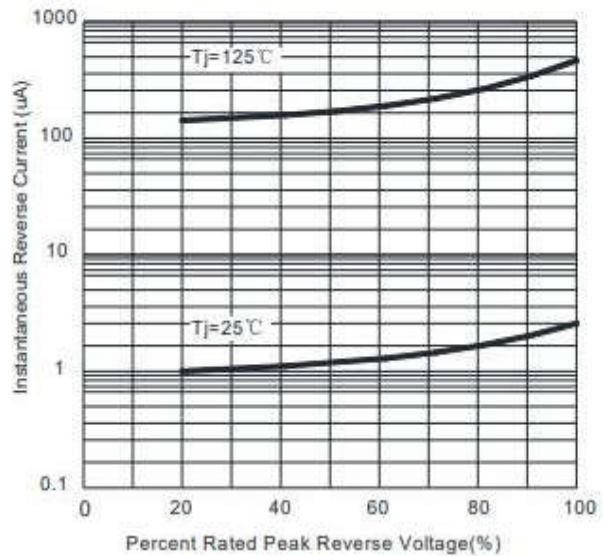
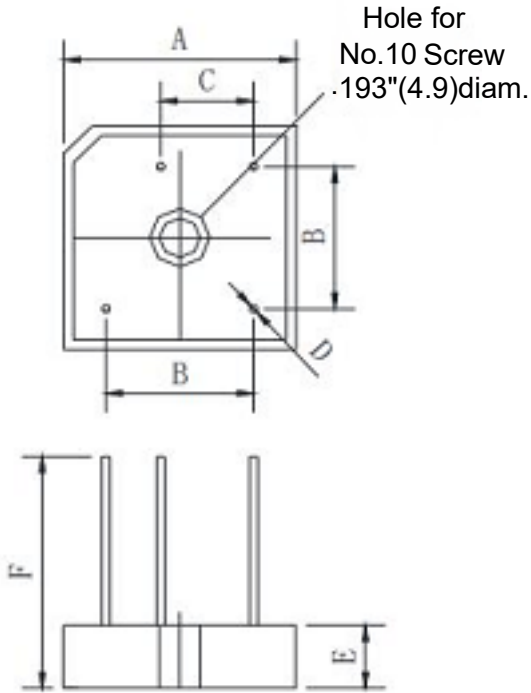


FIG4:Typical Reverse Characteristics





GBPCW

Dim	Min	Max
A	28.2	28.8
B	17.1	19.1
C	10.4	12.4
D	0.95	1.05
E	7.6	8.2
F	30	

Summary of Packing Options

Package	Packing Description	Packing Quantity	Industry Standard
GBPCW	BOX	50	EIA-481-1

X-ON Electronics

Largest Supplier of Electrical and Electronic Components

Click to view similar products for [Bridge Rectifiers](#) category:

Click to view products by [YFW Electronics](#) manufacturer:

Other Similar products are found below :

[MB252](#) [MB356G](#) [MB358G](#) [GBJ1504-BP](#) [GBU10B-BP](#) [GBU15K-BP](#) [GBU4A-BP](#) [GBU4D-BP](#) [DB101-BP](#) [DF01](#) [DF10SA-E345](#) [KBPC50-10S](#) [RS405GL-BP](#) [GBJ1502-BP](#) [GBU6M](#) [TB102M](#) [MB1510](#) [MB86](#) [TL401G](#) [MDA920A2](#) [TU602](#) [TU810](#) [MP5010W-BP](#) [MP501W-BP](#) [MP502-BP](#) [KBPC25-02](#) [VBO160-12NO7](#) [VS-110MT120KPBF](#) [VS-60MT80KPBF](#) [DB105-BP](#) [DF1510S](#) [VS-40MT160PAPBF](#) [GBU4G-BP](#) [GSIB15A80-E3/45](#) [DB104-BP](#) [D3SB60](#) [TB354](#) [GBJ2504-BP](#) [26MB100A](#) [B1S-G](#) [VS-40MT160KPBF](#) [VUO162-16NO7](#) [ABS10-G](#) [GBU6B-BP](#) [GBJ1508-BP](#) [BR5010-G](#) [ABS6-G](#) [B125C800G-E4/51](#) [MSB15MH-13](#) [LBS10-13](#)