

**50 A GLASS PASSIVATED BRIDGE RECTIFIER**

**Reverse Voltage - 100 to 1000 V**

**Forward Current – 50 A**

**Features**

- ◆ Glass passivated die construction
- ◆ Low forward voltage drop
- ◆ High current capability
- ◆ High surge current capability
- ◆ Plastic material-UL flammability 94V-0
- ◆ Lead free in comply with EU RoHS 2011/65/EU directives



**Mechanical Data**

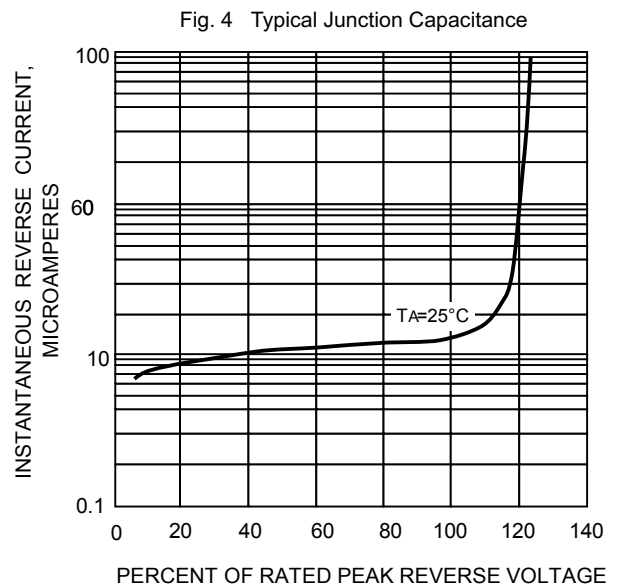
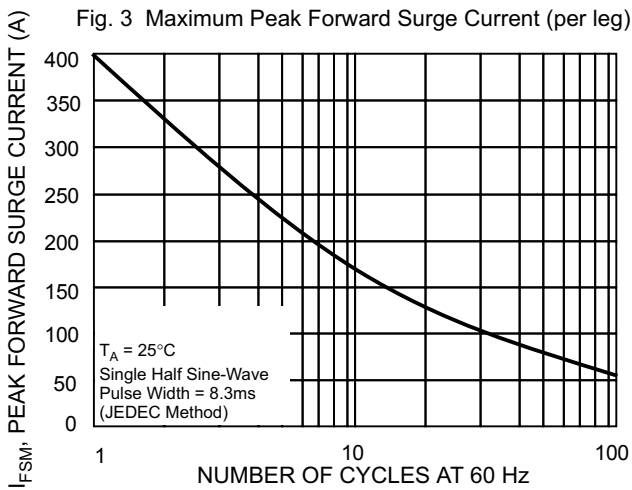
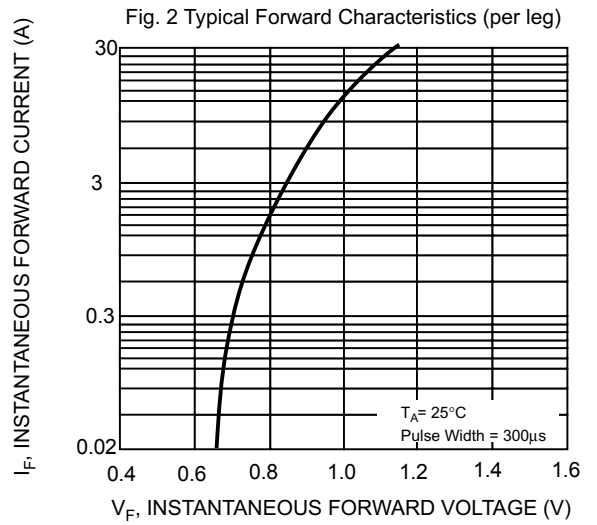
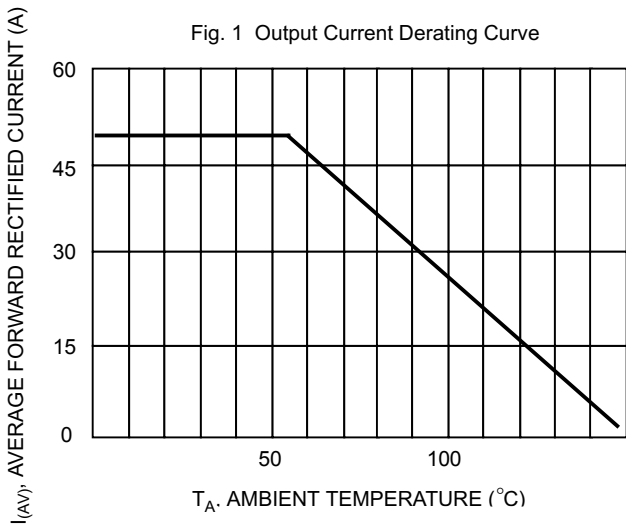
- ◆ Case: GBPC
- ◆ Terminals: Plated Leads Solderable per MIL-STD-202, Method 208
- ◆ Polarity: As Marked on Case
- ◆ Mounting Position: Any
- ◆ Marking: Type Number
- ◆ Lead Free: For RoHS / Lead Free Version

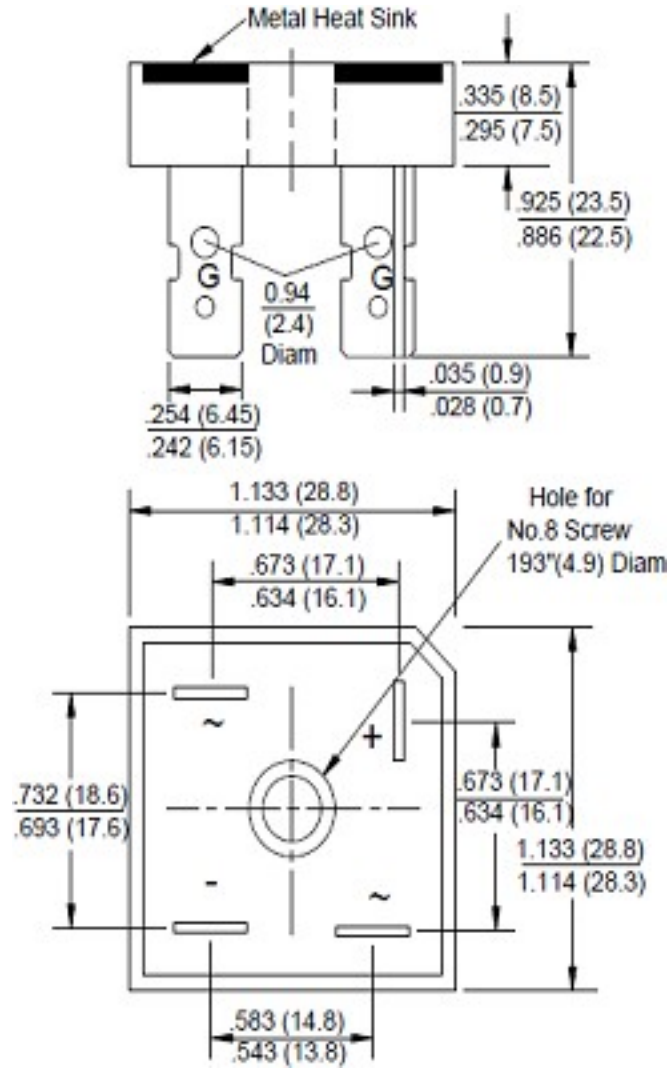
**Maximum Ratings and Electrical characteristics**

Ratings at 25 °C ambient temperature unless otherwise specified.

Parameter	Symbols	GBPC 5001	GBPC 5002	GBPC 5004	GBPC 5006	GBPC 5008	GBPC 5010	Units
Peak Repetitive Reverse Voltage	$V_{RRM}$	100	200	400	600	800	1000	V
Peak Repetitive Reverse Voltage	$V_{RWM}$	70	140	280	420	560	700	V
DC Blocking Voltage	$V_{RMS}$	100	200	400	600	800	1000	V
Average Rectified Output Current (Note1) @TA=55 °C	$I_{(AV)}$	50.0						A
Non-Repetitive Peak Forward Surge Current 8.3ms Single half sine-wave superimposed on rated load (JEDEC Method)	$I_{FSM}$	500						A
Forward Voltage per element @IF =25.0A	$V_F$	1.1						V
Peak Reverse Current @TA=25°C At Rated DC Blocking Voltage @TA=125°C	$I_R$	10.0 500						μA
Typical Junction Capacitance per leg	$C_J$	300						pF
Typical Thermal Resistance per leg (Note 2)	$R_{\theta JL}$	2.2						°C/W
Operating and Storage Temperature Range	$T_j, T_{stg}$	-55 ~ +150						°C

1. Mounted on glass epoxy PC board with 1.3mm<sup>2</sup> solder pad.  
2. Measured at 1.0 MHz and applied reverse voltage of 4.0V D.C.





**Summary of Packing Options**

Package	Packing Description	Packing Quantity	Industry Standard
GBPC	BOX	50	EIA-481-1

## X-ON Electronics

Largest Supplier of Electrical and Electronic Components

*Click to view similar products for [Bridge Rectifiers](#) category:*

*Click to view products by [YFW Electronics](#) manufacturer:*

Other Similar products are found below :

[MB252](#) [MB356G](#) [MB358G](#) [GBJ1504-BP](#) [GBU10B-BP](#) [GBU15K-BP](#) [GBU4A-BP](#) [GBU4D-BP](#) [DB101-BP](#) [DF01](#) [DF10SA-E345](#) [KBPC50-10S](#) [RS405GL-BP](#) [GBJ1502-BP](#) [GBU6M](#) [TB102M](#) [MB1510](#) [MB86](#) [TL401G](#) [MDA920A2](#) [TU602](#) [TU810](#) [MP5010W-BP](#) [MP501W-BP](#) [MP502-BP](#) [KBPC25-02](#) [VBO160-12NO7](#) [VS-110MT120KPBF](#) [VS-60MT80KPBF](#) [DB105-BP](#) [DF1510S](#) [VS-40MT160PAPBF](#) [GBU4G-BP](#) [GSIB15A80-E3/45](#) [DB104-BP](#) [D3SB60](#) [TB354](#) [GBJ2504-BP](#) [26MB100A](#) [B1S-G](#) [VS-40MT160KPBF](#) [VUO162-16NO7](#) [ABS10-G](#) [GBU6B-BP](#) [GBJ1508-BP](#) [BR5010-G](#) [ABS6-G](#) [B125C800G-E4/51](#) [MSB15MH-13](#) [LBS10-13](#)