

**SCHOTTKY BARRIER RECTIFIER**
**Reverse Voltage - 200 V**
**Forward Current - 20 A**
**FEATURES**

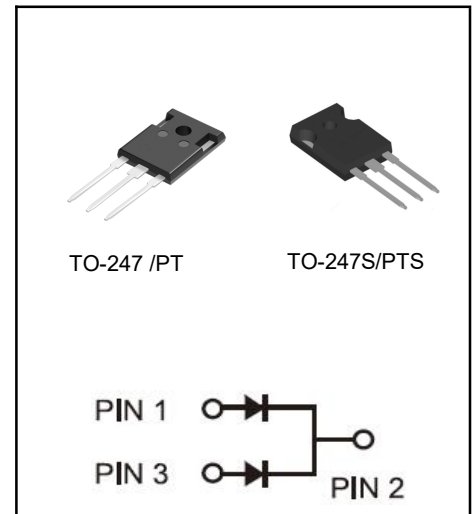
- ◆ Low forward voltage
- ◆ High current capability
- ◆ High forward surge capability
- ◆ Low power losses, High efficiency
- ◆ Guarding for over voltage protection

**MECHANICAL DATA**

- ◆ Case: Molded plastic
- ◆ Polarity: As marked
- ◆ Mounting Position: Any
- ◆ Molded Plastic: UL Flammability Classification Rating 94V-0
- ◆ Lead free in compliance with EU RoHS 2011/65/EU directive
- ◆ Solder bath temperature 275°C maximum, 10s per JESD 22-B106

**Primary Characteristic**

<b>I<sub>o</sub></b>	<b>2*10A</b>
<b>V<sub>RRM</sub></b>	<b>200V</b>
<b>I<sub>FSM</sub></b>	<b>250A</b>
<b>V<sub>F</sub></b>	<b>0.76V</b>
<b>T<sub>J</sub> Max</b>	<b>150°C</b>
<b>Assembly code</b>	<b>AH</b>


**Maximum Ratings (Per Leg) at Ta=25°C unless otherwise specified**

Parameter	Symbols	Value	Units
Maximum Repetitive Peak Reverse Voltage	<b>V<sub>RRM</sub></b>	200	<b>V</b>
Maximum RMS voltage	<b>V<sub>RMS</sub></b>	140	<b>V</b>
Maximum DC Blocking Voltage	<b>V<sub>DC</sub></b>	200	<b>V</b>
Maximum Average Forward Rectified Current	Per Leg	10	<b>A</b>
	Total	20	
Peak Forward Surge Current, 8.3ms Single Half Sine-wave	<b>I<sub>FSM</sub></b>	250	<b>A</b>
Operating Temperature Range	<b>T<sub>J</sub></b>	150	<b>°C</b>
Storage Temperature Range	<b>T<sub>STG</sub></b>	-40 ~ +150	<b>°C</b>
Typical Thermal Resistance <sup>(Note1)</sup>	<b>R<sub>θJC</sub></b>	2	<b>°C/W</b>

**Note1: Thermal resistance from Junction to case per leg mounted on heatsink.**
**Electrical Characteristics (Per Leg) unless otherwise specified**

Characteristics	Symbols	Value		Units	
Forward Voltage Drop(Note2)	<b>V<sub>F</sub></b>	<b>Typ</b>	<b>Max</b>	<b>V</b>	
at I <sub>F</sub> =3 A		TA=25°C	0.76		-
		TA=125°C	0.63		-
at I <sub>F</sub> =5 A		TA=25°C	0.80		-
		TA=125°C	0.68		-
at I <sub>F</sub> =10 A		TA=25°C	0.87		0.95
	TA=125°C	0.76	-		
Maximum Reverse Current at V <sub>R</sub> =150V	<b>I<sub>R</sub></b>	TA=25°C	1	<b>μA</b>	
		TA=125°C	1	<b>mA</b>	

**Note2: Pulse test: 300 μs pulse width, 1 % duty cycle**

**RATINGS AND CHARACTERISTIC CURVES**

FIG.1 MAXIMUM FORWARD CURRENT DERATING CURVE

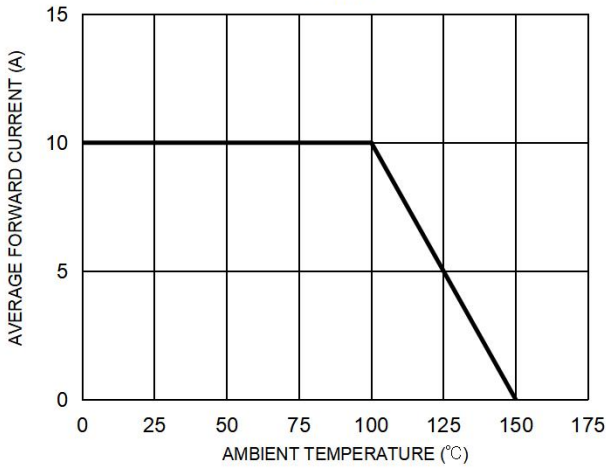


FIG. 2 MAXIMUM NON-REPETITIVE FORWARD SURGE CURRENT PER LEG

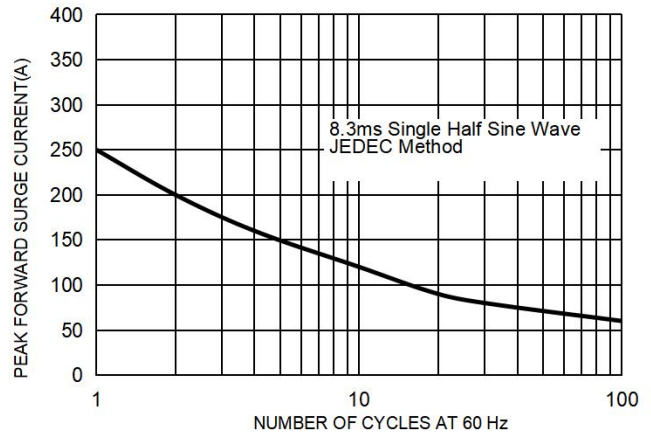


FIG. 3 TYPICAL FORWARD CHARACTERISTICS PER LEG

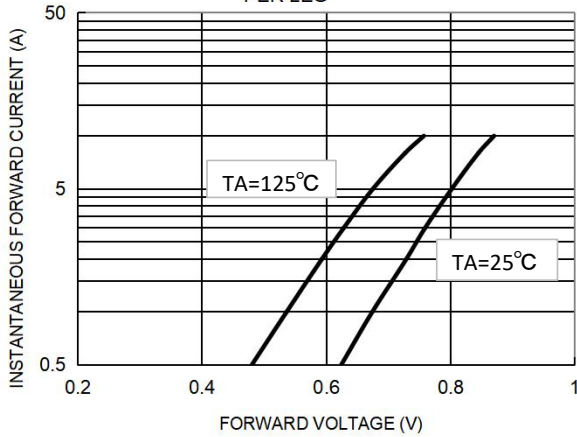
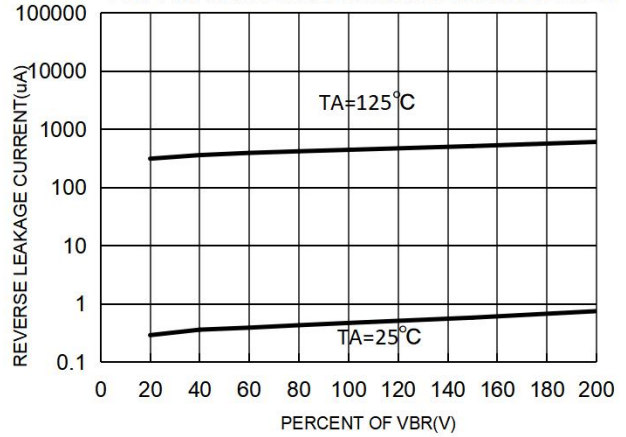
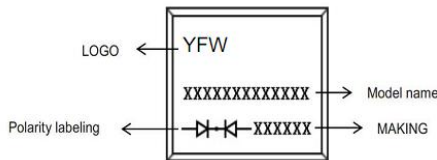


FIG. 4 TYPICAL REVERSE CHARACTERISTICS PER LEG



**Marking on the body**



MAKING:  
 X X X X X X  
 ↳ Assembly code ( e.g : AB,CD,..... )  
 ↳ Material -Code (H:No halogen A:ordinary)  
 ↳ Week - code (WW:01~52)  
 ↳ Year - code (Y: Last digit of year & A:2012,B:2013... )

**Ordering information**

Part Number	Package	Unit Weight	Base Quantity	Delivery mode
MBR20200PT	TO-247	0.209oz(5.93g)	30 pcs / tube	600pcs/box 3000pcs/carton
MBR20200PTS	TO-247S	0.158oz(4.48g)	30 pcs / tube	600pcs/box 3000pcs/carton

Note: For Halogen Free molding compound, add "H" suffix to part number above.

Package Outline Dimensions millimeters

**TO-247**

	Dim.	Min.	Max.
	A	15.0	16.0
	B	20.0	21.0
	C	40.0	42.0
	D	5.5	6.5
	E	4.0	5.5
	F	2.5	3.5
	G	1.75	2.5
	H	3.0	4.0
	I	8.0	10.0
	J	4.9	5.1
	K	1.9	2.1
	L	3.0	4.0
	M	4.75	5.25
	N	2.0	3.0
O	0.55	0.65	
P	TYP5.4		
Q	1.17	1.3	
All Dimensions in millimeter			

**TO-247S**

	Dim.	Min.	Max.
	A	15.0	16.0
	B	19.5	20.5
	C	33.5	35.5
	D	5.0	6.0
	E	3.5	4.5
	F	2.5	3.5
	G	1.75	2.5
	H	3.0	4.0
	I	9.0	11.0
	J	4.9	5.1
	K	1.15	1.35
	L	3.0	4.0
	M	4.75	5.25
	N	2.0	2.5
O	0.45	0.55	
P	TYP5.4		
Q	1.17	1.3	
All Dimensions in millimeter			

## X-ON Electronics

Largest Supplier of Electrical and Electronic Components

*Click to view similar products for [Schottky Diodes & Rectifiers](#) category:*

*Click to view products by [YFW Electronics](#) manufacturer:*

Other Similar products are found below :

[MA4E2039](#) [MMBD301M3T5G](#) [HFA35HB60C](#) [RB160M-50TR](#) [D83C](#) [BAS16E6433HTMA1](#) [BAS 3010S-02LRH](#) [E6327](#) [BAT 54-02LRH](#)  
[E6327](#) [NRVBAF360T3G](#) [NSR05F40QNXT5G](#) [NTE555](#) [JANS1N6640](#) [SS3003CH-TL-E](#) [GA01SHT18](#) [CRS10I30A\(TE85L,QM](#)  
[MBRA140TRPBF](#) [MBRB30H30CT-1G](#) [BAT 15-04R](#) [E6152](#) [JANTX1N5712-1](#) [DMJ3940-000](#) [SB007-03C-TB-E](#) [NRVBB20100CTT4G](#)  
[NRVBM120LT1G](#) [NTSB30U100CT-1G](#) [CRG04\(T5L,TEMQ\)](#) [ACDBA1100LR-HF](#) [ACDBA1200-HF](#) [ACDBA240-HF](#) [ACDBA3100-HF](#)  
[CDBQC0530L-HF](#) [ACDBA260LR-HF](#) [ACDBA1100-HF](#) [10BQ015-M3/5BT](#) [NRVBM120ET1G](#) [VSSB410S-M3/5BT](#) [1N5819T-G](#)  
[PDS1040Q-13](#) [B160BQ-13-F](#) [SDM05U20CSP-7](#) [BAS 70-07](#) [E6433](#) [B140S1F-7](#) [HSM560Je3/TR13](#) [DDB2265-000](#) [ZHCS506QTA](#)  
[HSM190Je3/TR13](#) [B330AF-13](#) [ACDBUC0230-HF](#) [SDM1U100S1F-7](#) [MBR10200CTF-G1](#) [CDLL5712](#)