

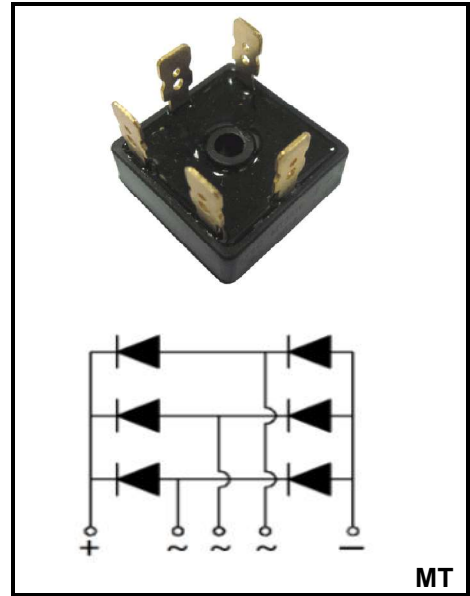
**35A Three Phase Glass Passivated Bridge Rectifier**

**Voltage - 800 to 1600 V**

**Forward Current – 35A**

**FEATURES**

- ◆ Glass passivated chip
- ◆ Low reverse leakage current
- ◆ High surge current capability
- ◆ Compliant to RoHS directive 2011/65/EU



**MECHANICAL DATA**

- ◆ Case: MT
- ◆ Terminals: Solderable per MIL-STD-202, Method 208
- ◆ Approx. Weight: About 18 grams

**Maximum Ratings And Electrical Characteristics**

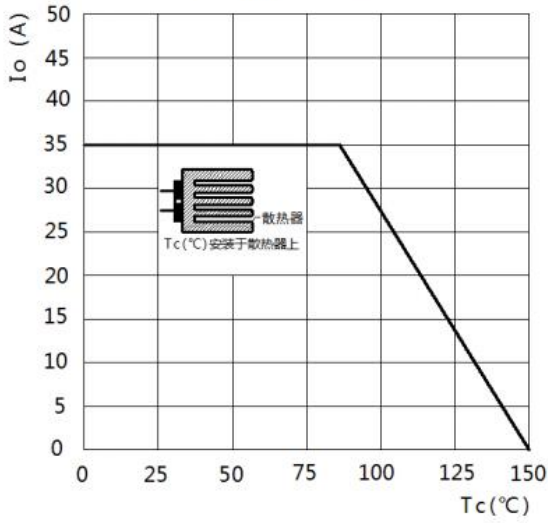
Ratings at 25 °C ambient temperature unless otherwise specified.

Single phase half-wave 60 Hz, resistive or inductive load, for capacitive load current derate by 20 %.

Parameter		Symbols	MT3508	MT3510	MT3512	MT3514	MT3516	Units
Maximum Repetitive Peak Reverse Voltage		$V_{RRM}$	800	1000	1200	1400	1600	V
Average rectified output current	with heatsink, $T_c=85^{\circ}C$	$I_{(AV)}$	35					A
Peak surge forward current, 8.3ms single half sine-wave superimposed on rated load		$I_{FSM}$	400					A
Rating for fusing, $1ms < t < 8.3ms$ , $T_j=25^{\circ}C$ , Rating of per diode		$I^2t$	664					A <sup>2</sup> S
Junction temperature and Storage temperature		$T_j, T_{stg}$	-55~+150					°C
Dielectric strength, terminals to case AC 1 minute		$V_{DS}$	2.0					KV
Peak Forward Voltage @ $I_f=17.5A$		$V_F$	1.1				1.2	V
Peak Reverse Current $V_R=V_{RRM}$ .Pulse measurement Rating of per diode	$T_j=25^{\circ}C$ $T_j=125^{\circ}C$	$I_R$	5 500					uA
Junction to ambient thermal resistance, without heatsink		$R_{\theta JA}$	26					°C/W
Junction to case thermal resistance, with heatsink		$R_{\theta JC}$	0.95					°C/W

FIG1. Derating Curve For Output Rectified Current

图 1. 电流降额曲线



Current Per Bridge Element

图 2. 最大正向不重复峰值浪涌电流

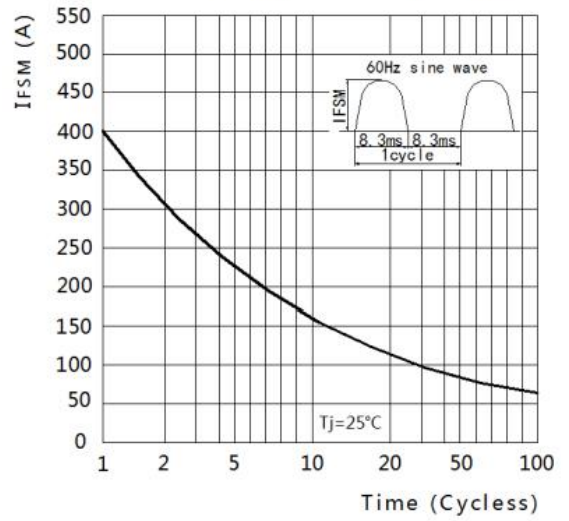


FIG3. Typical Reverse Characteristics Per Bridge Element

图 3. 典型反向特性

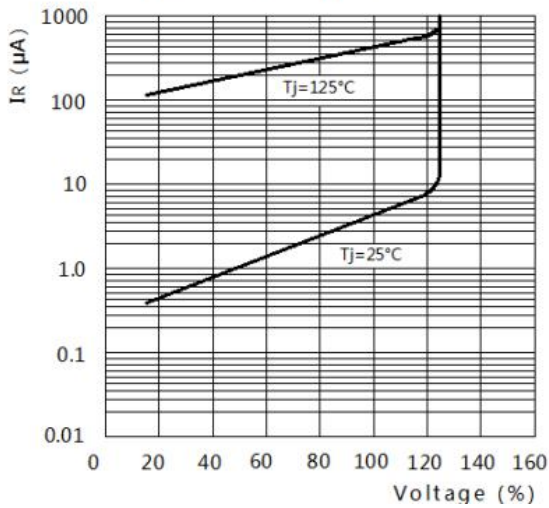
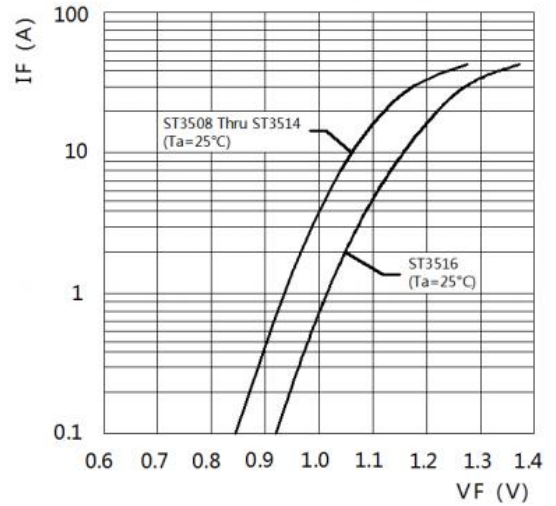
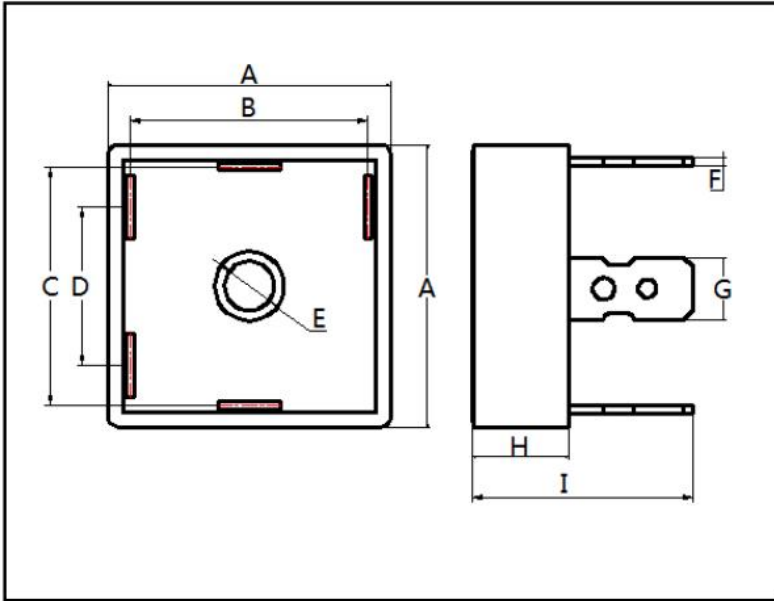


FIG4. Typical Forward Characteristics Per Bridge Element

图 4. 典型正向特性



■尺寸图 Dimension Drawing



Dim.	Unit(mm)		Unit(inch)	
	Min.	Max.	Min.	Max.
A	28.00	29.00	1.102	1.142
B	23.70	24.70	0.933	0.972
C	23.70	24.70	0.933	0.972
D	15.50	16.50	0.610	0.650
E	4.50	5.50	0.177	0.217
F	0.60	1.00	0.024	0.039
G	6.10	6.50	0.240	0.256
H	9.50	10.50	0.374	0.413
I	21.30	23.30	0.839	0.917

## X-ON Electronics

Largest Supplier of Electrical and Electronic Components

*Click to view similar products for [Bridge Rectifiers](#) category:*

*Click to view products by [YFW Electronics](#) manufacturer:*

Other Similar products are found below :

[MB252](#) [MB356G](#) [MB358G](#) [GBJ1504-BP](#) [GBU10B-BP](#) [GBU15K-BP](#) [GBU4A-BP](#) [GBU4D-BP](#) [DB101-BP](#) [DF01](#) [DF10SA-E345](#) [KBPC50-10S](#) [RS405GL-BP](#) [GBJ1502-BP](#) [GBU6M](#) [TB102M](#) [MB1510](#) [MB86](#) [TL401G](#) [MDA920A2](#) [TU602](#) [TU810](#) [MP5010W-BP](#) [MP501W-BP](#) [MP502-BP](#) [KBPC25-02](#) [VBO160-12NO7](#) [VS-110MT120KPBF](#) [VS-60MT80KPBF](#) [DB105-BP](#) [DF1510S](#) [VS-40MT160PAPBF](#) [GBU4G-BP](#) [GSIB15A80-E3/45](#) [DB104-BP](#) [D3SB60](#) [TB354](#) [GBJ2504-BP](#) [26MB100A](#) [B1S-G](#) [VS-40MT160KPBF](#) [VUO162-16NO7](#) [ABS10-G](#) [GBU6B-BP](#) [GBJ1508-BP](#) [BR5010-G](#) [ABS6-G](#) [B125C800G-E4/51](#) [MSB15MH-13](#) [LBS10-13](#)