

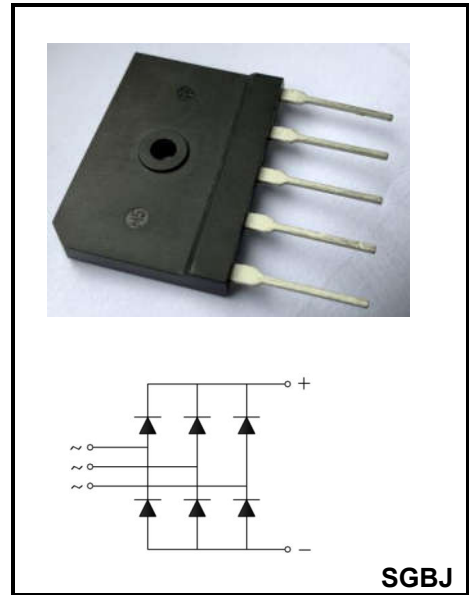
35A High Current Glass Passivated Single Phase

Voltage - 800 to 1600 V

Forward Current – 35A

FEATURES

- ◆ Glass passivated chip
- ◆ Low reverse leakage current
- ◆ High surge current capability
- ◆ Compliant to RoHS directive 2011/65/EU



MECHANICAL DATA

- ◆ Case: SGBJ-B
- ◆ Terminals: Solderable per MIL-STD-202, Method 208
- ◆ Approx. Weight: About 10 grams

Maximum Ratings And Electrical Characteristics

Ratings at 25 °C ambient temperature unless otherwise specified.

Single phase half-wave 60 Hz, resistive or inductive load, for capacitive load current derate by 20 %.

Parameter		Symbols	SGBJ3508	SGBJ3510	SGBJ3512	SGBJ3516	Units
Maximum Repetitive Peak Reverse Voltage		V_{RRM}	800	1000	1200	1600	V
Average rectified output current	with heatsink, $T_c=85^\circ\text{C}$	$I_{(AV)}$	35				A
Peak surge forward current, 8.3ms single half sine-wave superimposed on rated load		I_{FSM}	450				A
Rating for fusing, $1\text{ms} < t < 8.3\text{ms}$, $T_j=25^\circ\text{C}$, Rating of per diode		I^2t	840				A ² S
Junction temperature and Storage temperature		T_j, T_{stg}	-55 ~ +150				°C
Dielectric strength, terminals to case AC 1 minute		V_{DS}	2.5				KV
Peak Forward Voltage @ $I_F = 17.5\text{A}$		V_F	1.1				V
Peak Reverse Current $V_R = V_{RRM}$. Pulse measurement Rating of per diode	$T_j = 25^\circ\text{C}$ $T_j = 125^\circ\text{C}$	I_R	5 500				uA
Junction to ambient thermal resistance, without heatsink		$R_{\theta JA}$	18				°C/W
Junction to case thermal resistance, with heatsink		$R_{\theta JC}$	1.5				°C/W

(1) Measured at 1 MHz and applied reverse voltage of 4 V D.C

(2) Device mounted on 75mm*75mm*1.6mm cu plate heatsink

RATINGS AND CHARACTERISTIC CURVES

图 1. 电流降额曲线

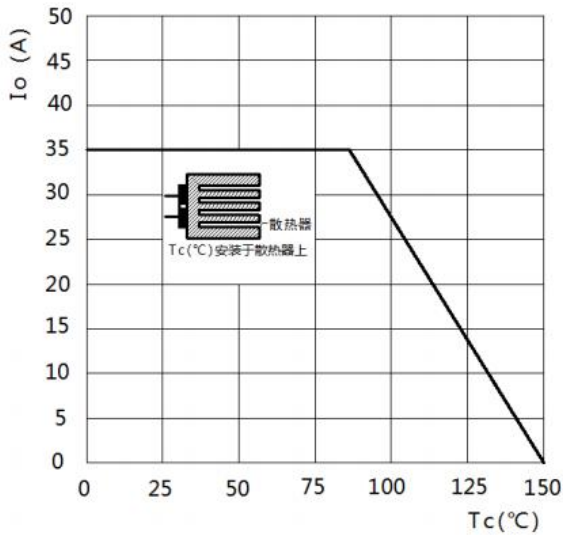


FIG3. Typical Reverse Characteristics Per Bridge Element

图 3. 典型反向特性

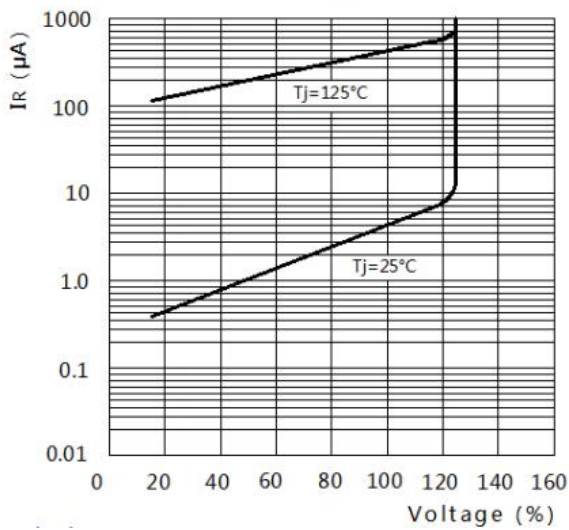


图 2. 最大正向不重复峰值浪涌电流

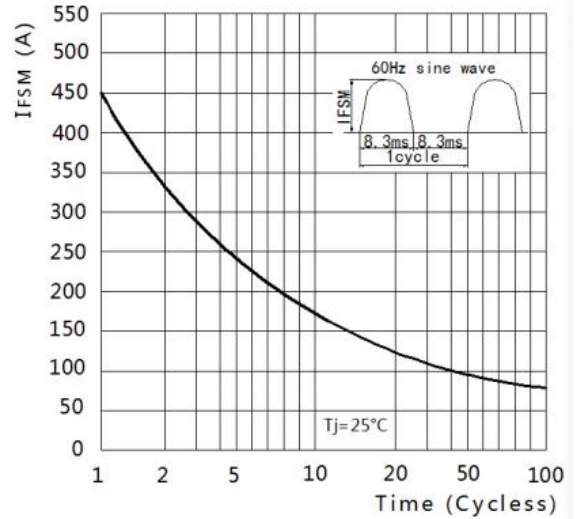
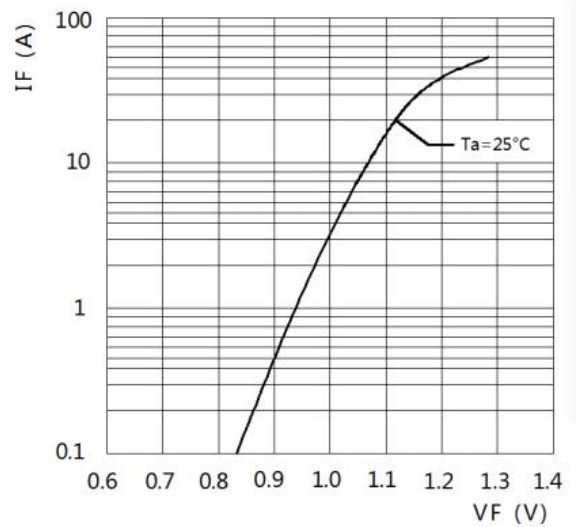
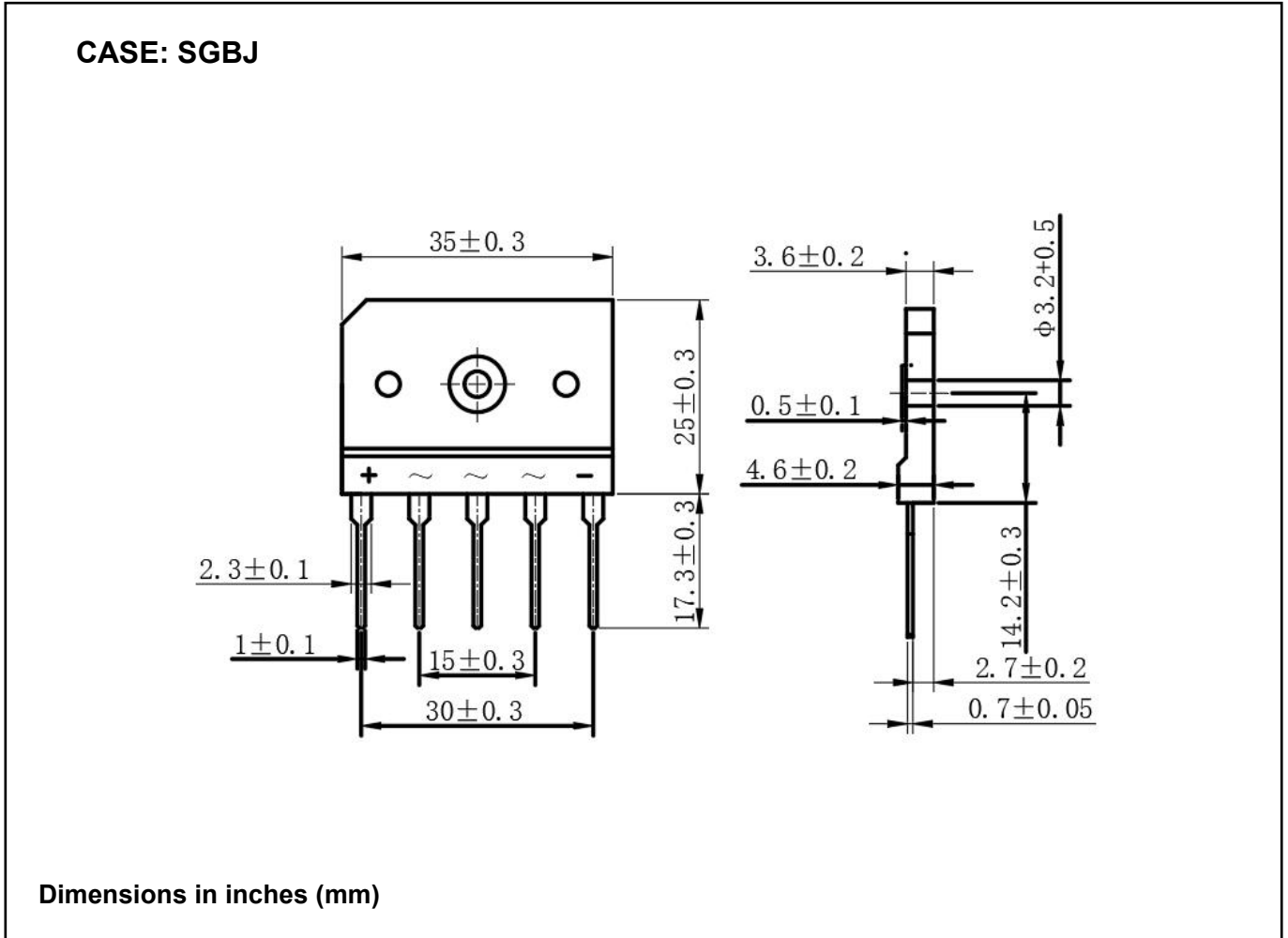


FIG4. Typical Forward Characteristics Per Bridge Element

图 4. 典型正向特性



Package Outline Dimensions millimeters



Summary of Packing Options

Package	Packing Description	Packing Quantity	Industry Standard
SGBJ	BOX	100	EIA-481-1

X-ON Electronics

Largest Supplier of Electrical and Electronic Components

Click to view similar products for [Bridge Rectifiers](#) category:

Click to view products by [YFW Electronics](#) manufacturer:

Other Similar products are found below :

[MB2510](#) [MB252](#) [MB356G](#) [MB358G](#) [90MT160KPBF](#) [GBJ1504-BP](#) [GBU10B-BP](#) [GBU15K-BP](#) [GBU4A-BP](#) [GBU4D-BP](#) [GBU6B-E3/45](#)
[DB101-BP](#) [DF01](#) [DF10SA-E345](#) [BU1508-E3/45](#) [BU1510-E3/45](#) [KBPC50-10S](#) [RS405GL-BP](#) [GBJ1502-BP](#) [GBU6M](#) [GSIB1520-E3/45](#)
[2KBB10](#) [36MB140A](#) [TB102M](#) [MB1510](#) [MB86](#) [TL401G](#) [MDA920A2](#) [TU602](#) [TU810](#) [MP5010W-BP](#) [MP501W-BP](#) [MP502-BP](#)
[BR84DTP204](#) [BU1508-E3/51](#) [KBPC25-02](#) [VS-110MT120KPBF](#) [VS-2KBB60](#) [VS-60MT120KPBF](#) [VS-60MT80KPBF](#) [DB105-BP](#) [DF1510S](#)
[VS-40MT160PAPBF](#) [VISKBU8K-E4/51](#) [36MT100](#) [GBU4G-BP](#) [GBU6B-E3/51](#) [DF15005S-E3/77](#) [GSIB15A80-E3/45](#) [DB104-BP](#)