

## 35A High Current Glass Passivated Single Phase

**Voltage - 800 to 1600 V**

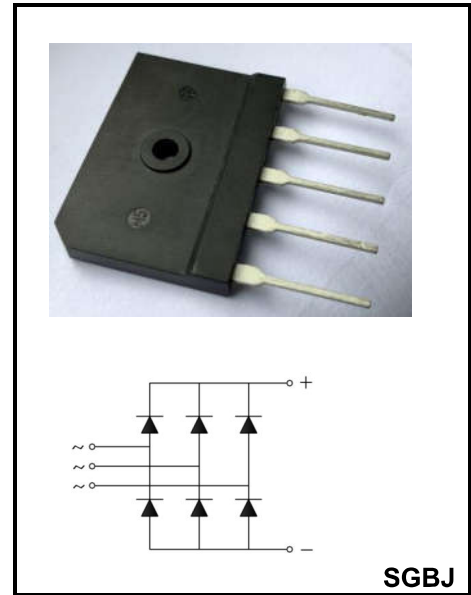
**Forward Current – 35A**

### FEATURES

- ◆Glass passivated chip
- ◆Low reverse leakage current
- ◆High surge current capability
- ◆Compliant to RoHS directive 2011/65/EU

### MECHANICAL DATA

- ◆Case: SGBJ-B
- ◆Terminals: Solderable per MIL-STD-202, Method 208
- ◆Approx. Weight: About 10 grams



### Maximum Ratings And Electrical Characteristics

Ratings at 25 °C ambient temperature unless otherwise specified.

Single phase half-wave 60 Hz, resistive or inductive load, for capacitive load current derate by 20 %.

Parameter		Symbols	SGBJ3508	SGBJ3510	SGBJ3512	SGBJ3516	Units
Maximum Repetitive Peak Reverse Voltage		$V_{RRM}$	800	1000	1200	1600	V
Average rectified output current	with heatsink, $T_c=85^\circ\text{C}$	$I_{(AV)}$	35				A
Peak surge forward current, 8.3ms single half sine-wave superimposed on rated load		$I_{FSM}$	450				A
Rating for fusing, $1\text{ms} < t < 8.3\text{ms}$ , $T_j=25^\circ\text{C}$ , Rating of per diode		$I^2t$	840				$\text{A}^2\text{S}$
Junction temperature and Storage temperature		$T_j, T_{stg}$	-55 ~ +150				$^\circ\text{C}$
Dielectric strength, terminals to case AC 1 minute		$V_{DS}$	2.5				KV
Peak Forward Voltage @ $I_F=17.5\text{A}$		$V_F$	1.1				V
Peak Reverse Current $V_R=V_{RRM}$ , Pulse measurement Rating of per diode	$T_j=25^\circ\text{C}$ $T_j=125^\circ\text{C}$	$I_R$	5 500				$\mu\text{A}$
Junction to ambient thermal resistance, without heatsink		$R_{\theta JA}$	18				$^\circ\text{C/W}$
Junction to case thermal resistance, with heatsink		$R_{\theta JC}$	1.5				$^\circ\text{C/W}$

(1) Measured at 1 MHz and applied reverse voltage of 4 V D.C

(2) Device mounted on 75mm\*75mm\*1.6mm cu plate heatsink

**RATINGS AND CHARACTERISTIC CURVES**

图 1. 电流降额曲线

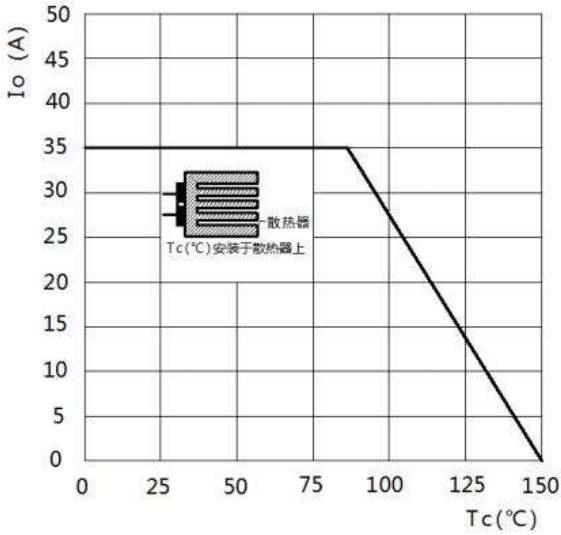


FIG3. Typical Reverse Characteristics Per Bridge Element

图 3. 典型反向特性

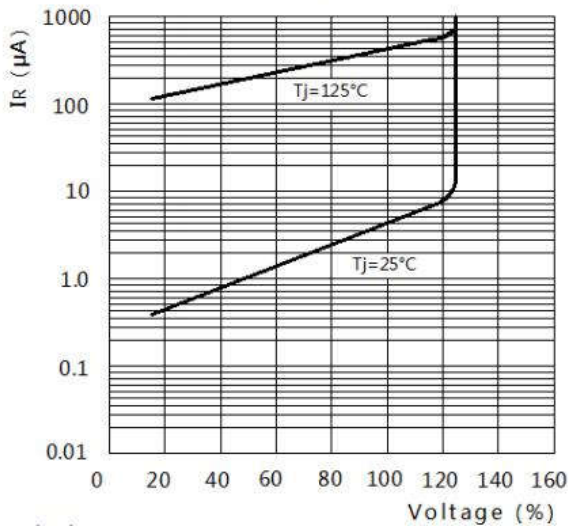


图 2. 最大正向不重复峰值浪涌电流

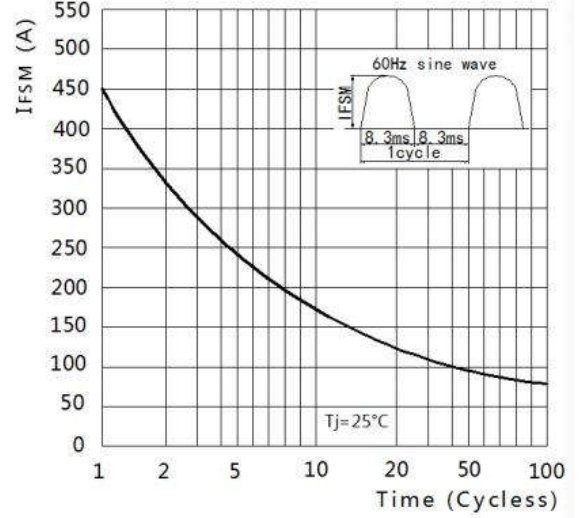
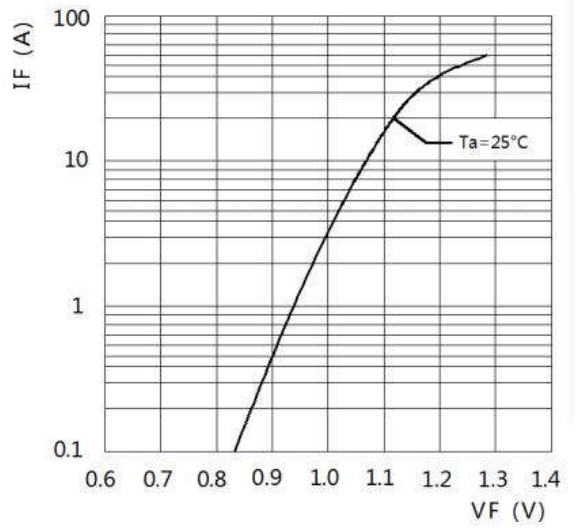
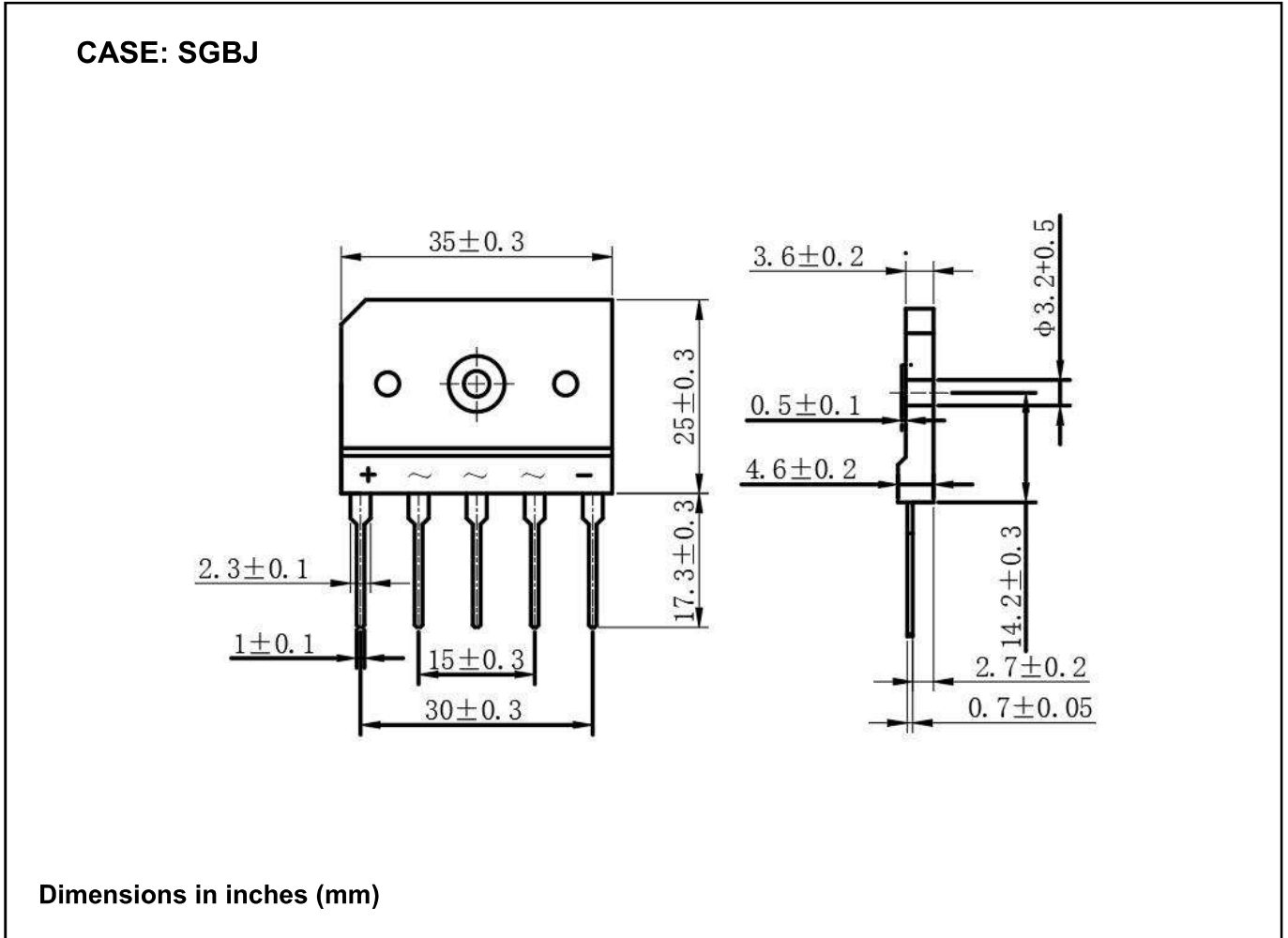


FIG4. Typical Forward Characteristics Per Bridge Element

图 4. 典型正向特性



Package Outline Dimensions millimeters



Summary of Packing Options

Package	Packing Description	Packing Quantity	Industry Standard
SGBJ	BOX	100	EIA-481-1

## X-ON Electronics

Largest Supplier of Electrical and Electronic Components

*Click to view similar products for [Bridge Rectifiers](#) category:*

*Click to view products by [YFW Electronics](#) manufacturer:*

Other Similar products are found below :

[MB252](#) [MB356G](#) [MB358G](#) [GBJ1504-BP](#) [GBU10B-BP](#) [GBU15K-BP](#) [GBU4A-BP](#) [GBU4D-BP](#) [DB101-BP](#) [DF01](#) [DF10SA-E345](#) [KBPC50-10S](#) [RS405GL-BP](#) [GBJ1502-BP](#) [GBU6M](#) [TB102M](#) [MB1510](#) [MB86](#) [TL401G](#) [MDA920A2](#) [TU602](#) [TU810](#) [MP5010W-BP](#) [MP501W-BP](#) [MP502-BP](#) [KBPC25-02](#) [VBO160-12NO7](#) [VS-110MT120KPBF](#) [VS-60MT80KPBF](#) [DB105-BP](#) [DF1510S](#) [VS-40MT160PAPBF](#) [GBU4G-BP](#) [GSIB15A80-E3/45](#) [DB104-BP](#) [D3SB60](#) [TB354](#) [GBJ2504-BP](#) [26MB100A](#) [B1S-G](#) [VS-40MT160KPBF](#) [VUO162-16NO7](#) [ABS10-G](#) [GBU6B-BP](#) [GBJ1508-BP](#) [BR5010-G](#) [ABS6-G](#) [B125C800G-E4/51](#) [MSB15MH-13](#) [LBS10-13](#)