

High Current Glass Passivated Molding Three-Phase Bridge Rectifier

Voltage - 800 to 1800 V
Forward Current –35 A



FEATURES

- ◆High current capability
- ◆Low forward voltage drop
- ◆Glass Passivated ChipJunction
- ◆Low power loss, high efficiency
- ◆LeadfreeincomplywithEUroHS2011/65/EUdirectives

MECHANICAL DATA

- ◆Case:SKBPC,
- ◆Terminals: Solderable per MIL-STD-202, Method208
- ◆Approx. Weight: SKBPC16g



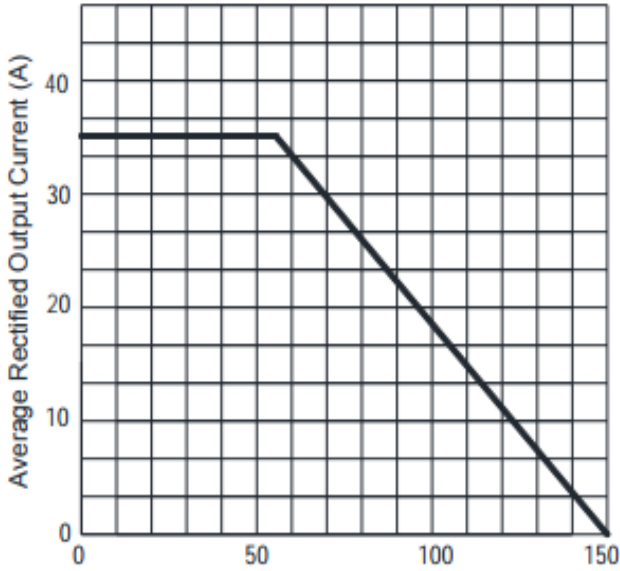
Maximum Ratings and Electrical characteristics

Ratings at 25 °C ambient temperature unless otherwise specified.

Parameter	Symbols	SKBPC 3508	SKBPC 3510	SKBPC 3512	SKBPC 3516	SKBPC 3518	Units
Maximum Repetitive Peak Reverse Voltage	V_{RRM}	800	1000	1200	1600	1800	V
Maximum RMS voltage	V_{RMS}	560	700	840	1120	1400	V
Maximum DC Blocking Voltage	V_{DC}	800	1000	1200	1600	1800	V
Maximum Average Forward Rectified Current ,50Hz Sine wave resistance load $T_c=85^{\circ}C$	$I_{(AV)}$	35					A
Peak forward surge current 8.3ms single half sine-wave superimposed on rated load	I_{FSM}	450					A
Maximum Forward Voltageat 17.5A DC and 25°C	V_F	1.05					V
Maximum Reverse Currentat $T_A=25^{\circ}C$	I_R	10					μA
Typical Thermal Resistance per Element	$R_{\theta JC}$	1					$^{\circ}C/W$
I2t Rating for Fusing	I^2t	1030					A2sec
Storage Temperature	T_{stg}	-55 ~ +150					$^{\circ}C$
Openrating junction Temperature	T_j	150					$^{\circ}C$

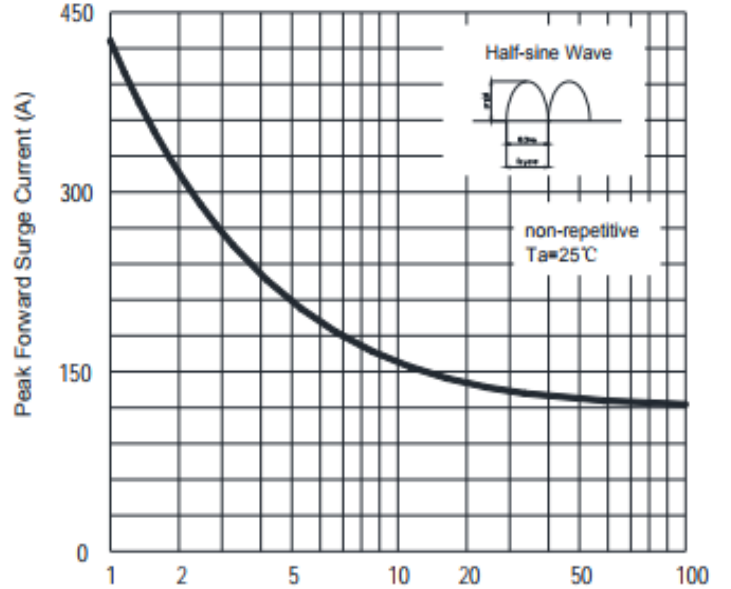
■ Characteristics (Typical)

FIG1:Io-Tc Curve



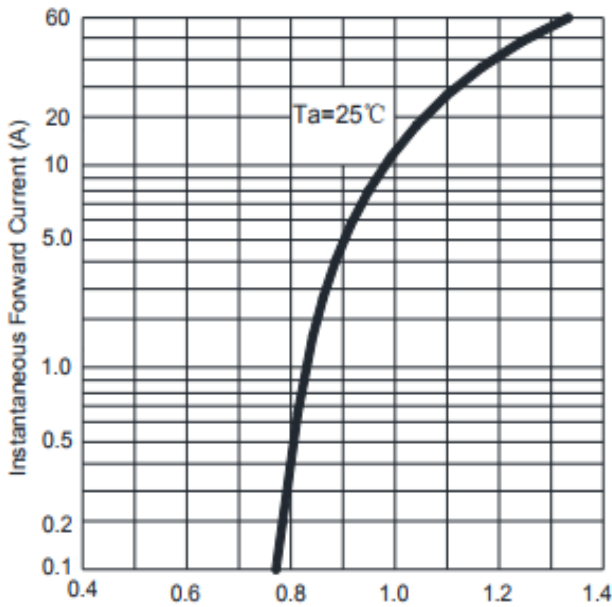
Case Temperature (°C)

FIG2:Surge Forward Current Capability



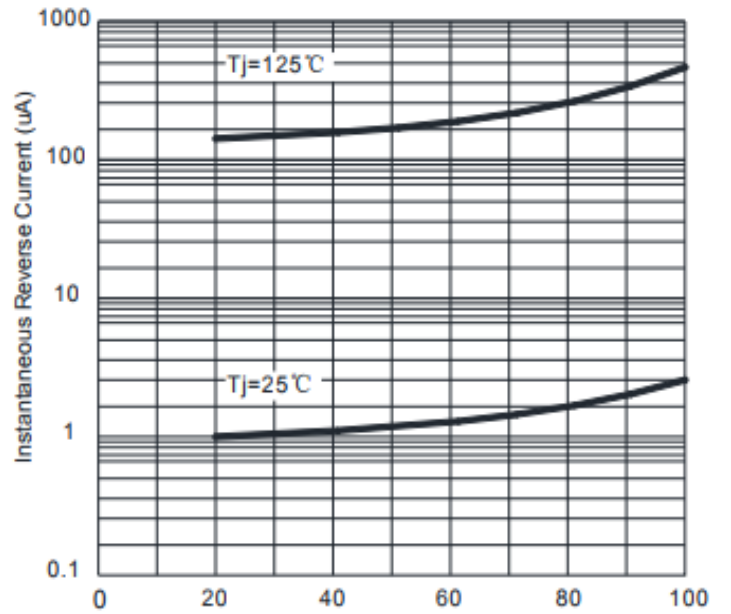
Number of Cycles

FIG3:Instantaneous Forward Voltage



Instantaneous Forward Voltage (V)

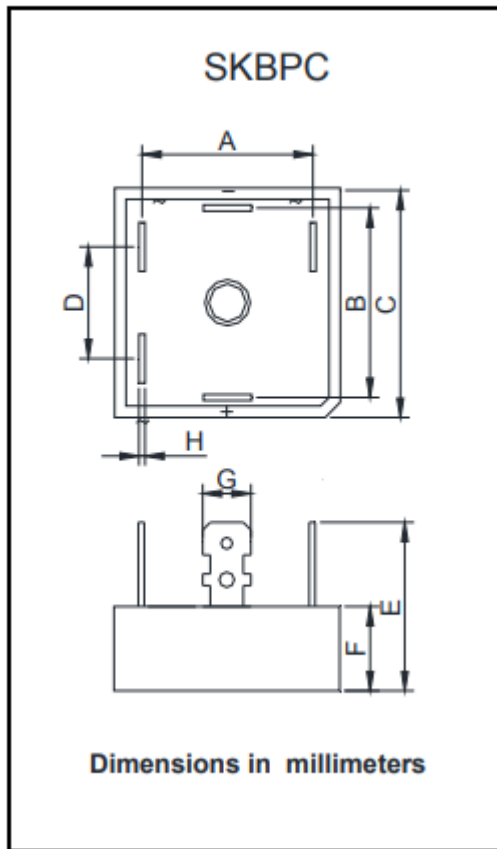
FIG4:Typical Reverse Characteristics



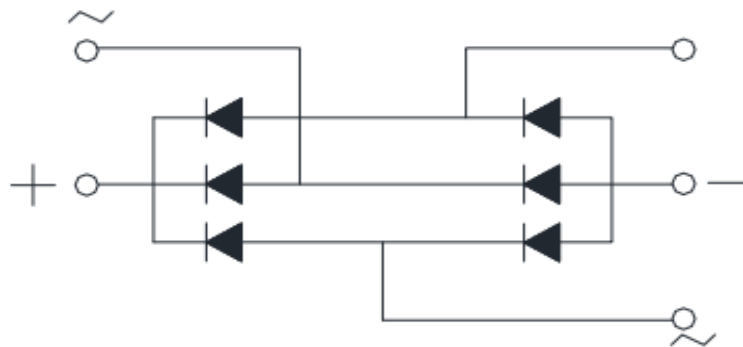
Percent Rated Peak Reverse Voltage(%)

Package Outline

SKBPC



SKBPC		
Dim	Min	Max
A	23.1	24.1
B	23.1	24.1
C	28.2	28.8
D	16	17
E	/	25
F	10.8	11.2
G	6.2	6.4
H	0.75	0.85



Summary of Packing Options

Package	Package Description	Packing Quantity	Industry Standard
SKBPC	BOX	50	EIA-481-1

X-ON Electronics

Largest Supplier of Electrical and Electronic Components

Click to view similar products for [Bridge Rectifiers](#) category:

Click to view products by [YFW Electronics](#) manufacturer:

Other Similar products are found below :

[MB252](#) [MB356G](#) [MB358G](#) [GBJ1504-BP](#) [GBU10B-BP](#) [GBU15K-BP](#) [GBU4A-BP](#) [GBU4D-BP](#) [DB101-BP](#) [DF01](#) [DF10SA-E345](#) [KBPC50-10S](#) [RS405GL-BP](#) [GBJ1502-BP](#) [GBU6M](#) [TB102M](#) [MB1510](#) [MB86](#) [TL401G](#) [MDA920A2](#) [TU602](#) [TU810](#) [MP5010W-BP](#) [MP501W-BP](#) [MP502-BP](#) [KBPC25-02](#) [VBO160-12NO7](#) [VS-110MT120KPBF](#) [VS-60MT80KPBF](#) [DB105-BP](#) [DF1510S](#) [VS-40MT160PAPBF](#) [GBU4G-BP](#) [GSIB15A80-E3/45](#) [DB104-BP](#) [D3SB60](#) [TB354](#) [GBJ2504-BP](#) [26MB100A](#) [B1S-G](#) [VS-40MT160KPBF](#) [VUO162-16NO7](#) [ABS10-G](#) [GBU6B-BP](#) [GBJ1508-BP](#) [BR5010-G](#) [ABS6-G](#) [B125C800G-E4/51](#) [MSB15MH-13](#) [LBS10-13](#)