

Surface mount transient voltage suppressor power 3000watts  
Stand-Off Voltage: 5.0V~170V

**FEATURES**

- ◆For surface mounted applications in order to optimize board space.
- ◆Low profile package.
- ◆Glass passivated junction.
- ◆Low inductance.
- ◆3000W peak pulse power capability at 10x1000us waveform, repetition rate {duty cycles}:0.01 %
- ◆Plastic package has Underwriters Laboratory Flammability.
- ◆Excellent clamping capability
- ◆Low incremental surge resistance
- ◆Matte Tin Lead-free Plated

**MECHANICAL DATA**

- ◆Case: DO-214AB/SMC
- ◆Terminals: Solderable per MIL-STD-750, Method 2026
- ◆Approx. Weight: 0.22g / 0.0077oz

**Maximum Ratings and Electrical characteristics**

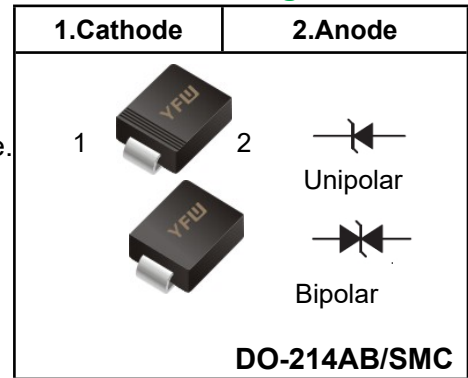
Ratings at 25 ambient temperature unless o °C otherwise specified.

| Parameter  | Symbol                               | Value       | Unit        |
|--|--------------------------------------|-------------|-------------|
| Peak Pulse Power Dissipation at Ta=25°C by 10x1000 us waveform (Fig.1)(Note 1), (Note 2) | <b>P<sub>PPM</sub></b>               | 3000        | <b>W</b>    |
| Power Dissipation on infinite heat sink at TA=50°C                                       | <b>P<sub>M(AV)</sub></b>             | 6.5         | <b>W</b>    |
| Peak Forward Surge Current, 8.3ms Single Half Sine Wave (Note 3)                         | <b>I<sub>FSM</sub></b>               | 300         | <b>A</b>    |
| Maximum Instantaneous Forward Voltage at 100A for Unidirectional only                    | <b>V<sub>F</sub></b>                 | 3.5         | <b>V</b>    |
| Typical Thermal Resistance Junction to Lead  | <b>R<sub>θJL</sub></b>               | 15          | <b>°C/W</b> |
| Typical Thermal Resistance Junction to Ambient   | <b>R<sub>θJA</sub></b>               | 75          | <b>°C/W</b> |
| Operating Junction Temperature and Storage Temperature Range                             | <b>T<sub>J</sub>,T<sub>STG</sub></b> | -65 to +150 | <b>°C</b>   |

**NOTES:**

1. Non-repetitive current pulse . per Fig 3 and derated above Ta = 25°C per Fig. 2
2. Mounted on copper pad area of 0.31x0.31" (8.0 x 8.0mm) to each terminal
3. Measured on 8.3ms single half sine wave or equivalent square wave for unidirectional device only, duty cycle=4 per minute maximum

**Pinning**

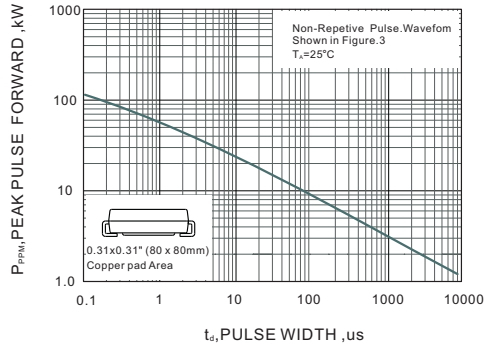


Characteristics at Ta = 25°C

Table 1

| Type     |           | Reverse Stand-off Voltage | Breakdown Voltage                |      | Test Current | Max.Clamp Voltage | Max. Peak Pulse Current | Max. Reverse Leakage | Package SMC    |                                  |
|----------|-----------|---------------------------|----------------------------------|------|--------------|-------------------|-------------------------|----------------------|----------------|----------------------------------|
|          |           |                           | V <sub>BR</sub> @ I <sub>T</sub> |      |              |                   |                         |                      | I <sub>T</sub> | V <sub>C</sub> @ I <sub>FP</sub> |
|          |           |                           | V <sub>RMW</sub>                 | Min  | Max          | mA                | V                       | A                    |                |                                  |
| SMDJ5.0A | SMDJ5.0CA | 5.0                       | 6.4                              | 7    | 10           | 9.2               | 326.1                   | 800                  | RDE            | DDE                              |
| SMDJ6.0A | SMDJ6.0CA | 6.0                       | 6.67                             | 7.37 | 10           | 10.3              | 291.3                   | 800                  | RDG            | DDG                              |
| SMDJ6.5A | SMDJ6.5CA | 6.5                       | 7.22                             | 7.98 | 10           | 11.2              | 267.9                   | 500                  | RDK            | DDK                              |
| SMDJ7.0A | SMDJ7.0CA | 7.0                       | 7.78                             | 8.6  | 10           | 12                | 250                     | 200                  | PDM            | DDM                              |
| SMDJ7.5A | SMDJ7.5CA | 7.5                       | 8.33                             | 9.21 | 1            | 12.9              | 232.6                   | 100                  | PDP            | DDP                              |
| SMDJ8.0A | SMDJ8.0CA | 8.0                       | 8.89                             | 9.83 | 1            | 13.6              | 220.6                   | 50                   | PDR            | DDR                              |
| SMDJ8.5A | SMDJ8.5CA | 8.5                       | 9.44                             | 10.4 | 1            | 14.4              | 208.3                   | 20                   | PDT            | DDT                              |
| SMDJ9.0A | SMDJ9.0CA | 9.0                       | 10                               | 11.1 | 1            | 15.4              | 194.8                   | 10                   | PDV            | DDV                              |
| SMDJ10A  | SMDJ10CA  | 10.0                      | 11.1                             | 12.3 | 1            | 17                | 176.5                   | 5                    | PDX            | DDX                              |
| SMDJ11A  | SMDJ11CA  | 11.0                      | 12.2                             | 13.5 | 1            | 18.2              | 164.8                   | 2                    | PDZ            | DDZ                              |
| SMDJ12A  | SMDJ12CA  | 12.0                      | 13.3                             | 14.7 | 1            | 19.9              | 150.8                   | 2                    | PEE            | DEE                              |
| SMDJ13A  | SMDJ13CA  | 13.0                      | 14.4                             | 15.9 | 1            | 21.5              | 139.5                   | 2                    | PEG            | DEG                              |
| SMDJ14A  | SMDJ14CA  | 14.0                      | 15.6                             | 17.2 | 1            | 23.2              | 129.3                   | 2                    | PEK            | DEK                              |
| SMDJ15A  | SMDJ15CA  | 15.0                      | 16.7                             | 18.5 | 1            | 24.4              | 123                     | 2                    | PEM            | DEM                              |
| SMDJ16A  | SMDJ16CA  | 16.0                      | 17.8                             | 19.7 | 1            | 26                | 115.4                   | 2                    | PEP            | DEP                              |
| SMDJ17A  | SMDJ17CA  | 17.0                      | 18.9                             | 20.9 | 1            | 27.6              | 108.7                   | 2                    | PER            | DER                              |
| SMDJ18A  | SMDJ18CA  | 18.0                      | 20                               | 22.1 | 1            | 29.2              | 102.7                   | 2                    | PET            | DET                              |
| SMDJ20A  | SMDJ20CA  | 20.0                      | 22.2                             | 24.5 | 1            | 32.4              | 92.6                    | 2                    | PEV            | DEV                              |
| SMDJ22A  | SMDJ22CA  | 22.0                      | 24.4                             | 26.9 | 1            | 35.5              | 84.5                    | 2                    | PEX            | DEX                              |
| SMDJ24A  | SMDJ24CA  | 24.0                      | 26.7                             | 29.5 | 1            | 38.9              | 77.1                    | 2                    | PEZ            | DEZ                              |
| SMDJ26A  | SMDJ26CA  | 26.0                      | 28.9                             | 31.9 | 1            | 42.1              | 71.3                    | 2                    | PFE            | DFE                              |
| SMDJ28A  | SMDJ28CA  | 28.0                      | 31.1                             | 34.4 | 1            | 45.4              | 66.1                    | 2                    | PFG            | DFG                              |
| SMDJ30A  | SMDJ30CA  | 30.0                      | 33.3                             | 36.8 | 1            | 48.4              | 62                      | 2                    | PFK            | DFK                              |
| SMDJ33A  | SMDJ33CA  | 33.0                      | 36.7                             | 40.6 | 1            | 53.3              | 56.3                    | 2                    | PFM            | DFM                              |
| SMDJ36A  | SMDJ36CA  | 36.0                      | 40                               | 44.2 | 1            | 58.1              | 51.6                    | 2                    | PFP            | DFP                              |
| SMDJ40A  | SMDJ40CA  | 40.0                      | 44.4                             | 49.1 | 1            | 64.5              | 46.5                    | 2                    | PFR            | DFR                              |
| SMDJ43A  | SMDJ43CA  | 43.0                      | 47.8                             | 52.8 | 1            | 69.4              | 43.2                    | 2                    | PFT            | DFT                              |
| SMDJ45A  | SMDJ45CA  | 45.0                      | 50                               | 55.3 | 1            | 72.7              | 41.3                    | 2                    | PFV            | DFV                              |
| SMDJ48A  | SMDJ48CA  | 48.0                      | 53.3                             | 58.9 | 1            | 77.4              | 38.8                    | 2                    | PFX            | DFX                              |
| SMDJ51A  | SMDJ51CA  | 51.0                      | 56.7                             | 62.7 | 1            | 82.4              | 36.4                    | 2                    | PFZ            | DFZ                              |
| SMDJ54A  | SMDJ54CA  | 54.0                      | 60                               | 66.3 | 1            | 87.1              | 34.4                    | 2                    | RGE            | DGE                              |
| SMDJ58A  | SMDJ58CA  | 58.0                      | 64.4                             | 71.2 | 1            | 93.6              | 32.1                    | 2                    | PGG            | DGG                              |
| SMDJ60A  | SMDJ60CA  | 60.0                      | 66.7                             | 73.7 | 1            | 96.8              | 31                      | 2                    | PGK            | DGK                              |
| SMDJ64A  | SMDJ64CA  | 64.0                      | 71.1                             | 78.6 | 1            | 103               | 29.1                    | 2                    | PGM            | DGM                              |
| SMDJ70A  | SMDJ70CA  | 70.0                      | 77.8                             | 86   | 1            | 113               | 26.5                    | 2                    | PGP            | DGP                              |
| SMDJ75A  | SMDJ75CA  | 75.0                      | 83.3                             | 92.1 | 1            | 121               | 24.8                    | 2                    | PGR            | DGR                              |
| SMDJ78A  | SMDJ78CA  | 78.0                      | 86.7                             | 95.8 | 1            | 126               | 23.8                    | 2                    | PGT            | DGT                              |
| SMDJ85A  | SMDJ85CA  | 85.0                      | 94.4                             | 104  | 1            | 137               | 21.9                    | 2                    | PGV            | DGV                              |
| SMDJ90A  | SMDJ90CA  | 90.0                      | 100                              | 111  | 1            | 146               | 20.5                    | 2                    | PGX            | DGX                              |
| SMDJ100A | SMDJ100CA | 100.0                     | 111                              | 123  | 1            | 162               | 18.5                    | 2                    | PGZ            | DGZ                              |
| SMDJ110A | SMDJ110CA | 110.0                     | 122                              | 135  | 1            | 177               | 16.9                    | 2                    | PHE            | DHE                              |
| SMDJ120A | SMDJ120CA | 120.0                     | 133                              | 147  | 1            | 193               | 15.5                    | 2                    | PHG            | DHG                              |
| SMDJ130A | SMDJ130CA | 130.0                     | 144                              | 159  | 1            | 209               | 14.4                    | 2                    | PHK            | DHK                              |
| SMDJ150A | SMDJ150CA | 150.0                     | 167                              | 185  | 1            | 243               | 12.3                    | 2                    | PHM            | DHM                              |
| SMDJ160A | SMDJ160CA | 160.0                     | 178                              | 197  | 1            | 259               | 11.6                    | 2                    | PHP            | DHP                              |
| SMDJ170A | SMDJ170CA | 170.0                     | 189                              | 209  | 1            | 275               | 10.9                    | 2                    | PHR            | DHR                              |

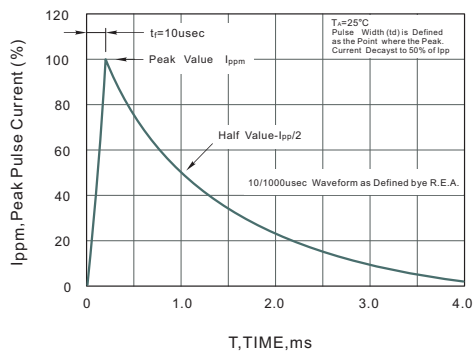
**Fig.1 Peak Pulse Power Rating Curve**



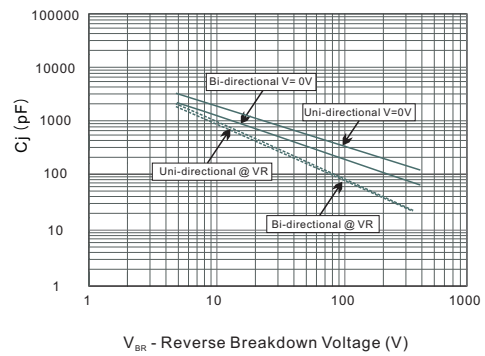
**Fig.2 Forward Current Derating Curve**



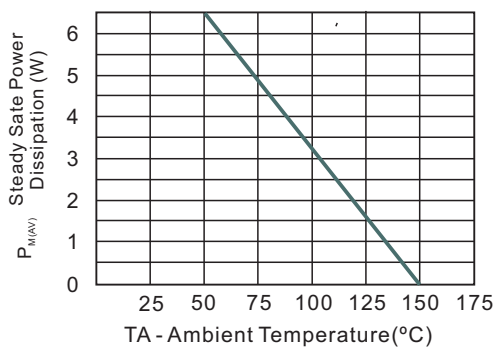
**Fig.3 Pulse Waveform**



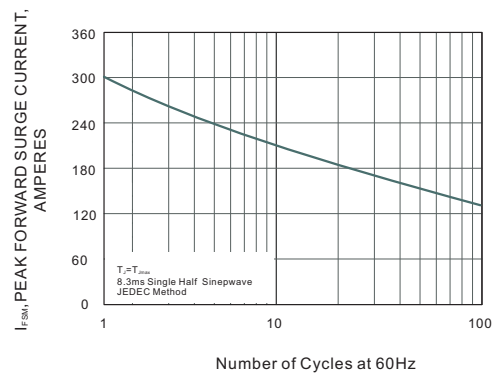
**Fig.4 Typical Junction Capacitance**



**Fig.5 Steady State Power Derating Curve**

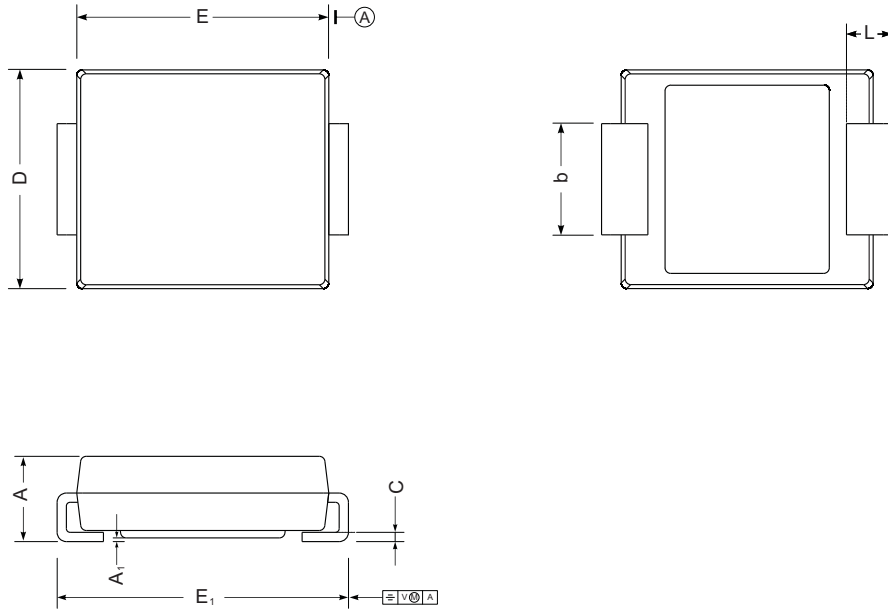


**Fig.6 Maximum Non-Repetitive Peak Forward Surge Current**



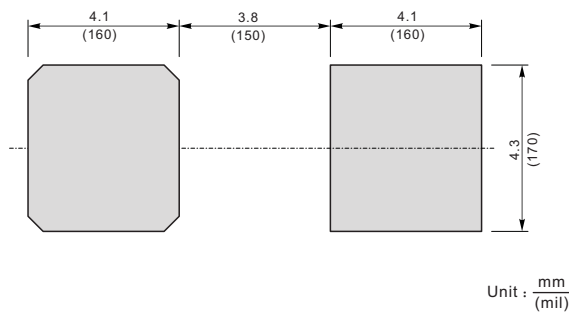
**Package Outline DO-214AB SMC**

Plastic surface mounted package; 2 leads



| UNIT |     | A    | E   | D   | E <sub>1</sub> | A <sub>1</sub> | C    | L   | b    |
|------|-----|------|-----|-----|----------------|----------------|------|-----|------|
| mm   | max | 2.62 | 7.0 | 6.2 | 8.0            | 0.21           | 0.31 | 1.6 | 3.25 |
|      | min | 2.00 | 6.5 | 5.6 | 7.6            | 0.05           | 0.15 | 0.9 | 2.75 |
| mil  | max | 103  | 276 | 244 | 315            | 8.3            | 12   | 63  | 128  |
|      | min | 79   | 256 | 220 | 299            | 2.0            | 5.9  | 35  | 108  |

**The recommended mounting pad size**



**Summary of Packing Options**

| Package      | Packing Description | Packing Quantity | Industry Standard |
|--------------|---------------------|------------------|-------------------|
| DO-214AB SMC | Tape/Reel, 13" reel | 3000             | EIA-481-1         |

## X-ON Electronics

Largest Supplier of Electrical and Electronic Components

*Click to view similar products for [ESD Suppressors / TVS Diodes](#) category:*

*Click to view products by [YFW Electronics](#) manufacturer:*

Other Similar products are found below :

[60KS200C](#) [D18V0L1B2LP-7B](#) [D5V0F4U5P5-7](#) [NTE4902](#) [P4KE27CA](#) [P6KE11CA](#) [P6KE39CA-TP](#) [P6KE8.2A](#) [JANTX1N6053A](#)  
[SA110CA](#) [SA60CA](#) [SA64CA](#) [SMBJ12CATR](#) [SMBJ33CATR](#) [SMBJ8.0A](#) [ESD101-B1-02ELS E6327](#) [ESD105-B1-02EL E6327](#) [ESD112-B1-02EL E6327](#) [ESD119B1W01005E6327XTSA1](#) [ESD5V0L1B02VH6327XTSA1](#) [ESD7451N2T5G](#) [19180-510](#) [CPDT-5V0USP-HF](#)  
[3.0SMCJ33CA-F](#) [3.0SMCJ36A-F](#) [HSPC16701B02TP](#) [JANTX1N6126A](#) [JANTX1N6462](#) [JANTX1N6465](#) [USB50805e3/TR7](#)  
[D3V3Q1B2DLP3-7](#) [D55V0M1B2WS-7](#) [DRTR5V0U4SL-7](#) [SCM1293A-04SO](#) [ESD200-B1-CSP0201 E6327](#) [SM12-7](#) [SM1605E3/TR13](#)  
[SMLJ45CA-TP](#) [CEN955 W/DATA](#) [82350120560](#) [VESD12A1A-HD1-GS08](#) [CPDUR5V0R-HF](#) [CPDQC5V0U-HF](#) [CPDQC5V0USP-HF](#)  
[CPDQC5V0-HF](#) [D1213A-01LP4-7B](#) [ESD101-B1-02EL E6327](#) [824500181](#) [MMAD1108/TR13](#) [5KP100A](#)