

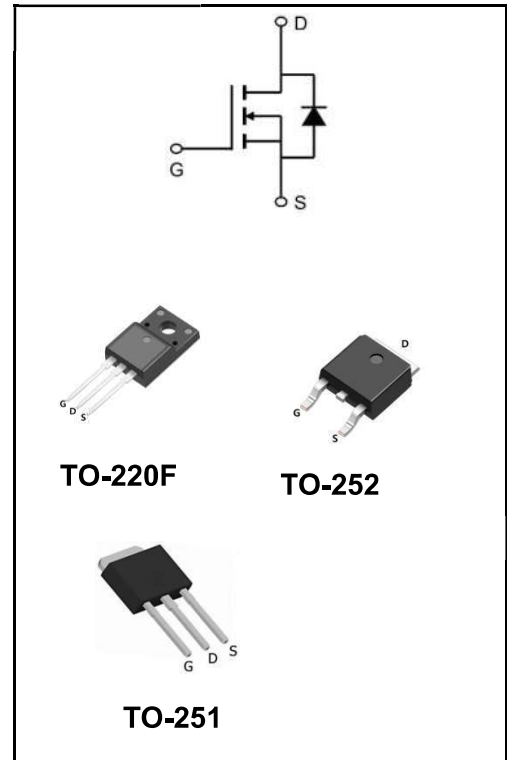
650V N-Channel Super Junction MOSFE

MAIN CHARACTERISTICS

I_D	7 A
V_{DSS}	650V
R_{DS(on)-typ(@V_{GS}=10V)}	< 600mΩ(Type:530mΩ)

Application

- ♣Solar inverters
- ♣LCD/LED/PDP TV
- ♣Telecom/Server Power supplies
- ♣AC-DC Power Supply



MECHANICAL DATA

- ♣Case: Molded plastic
- ♣Mounting Position: Any
- ♣Molded Plastic: UL Flammability Classification Rating 94V-0
- ♣Lead free in compliance with EU RoHS 2011/65/EU directive
- ♣Solder bath temperature 275°C maximum,10s per JESD 22-B106

Product Specification Classification

Part Number	Package	Marking	Pack
YFW65R600AF	TO-220F	YFW 65R600AF XXXXX	1000PCS/Tape
YFW65R600AD	TO-252	YFW 65R600AD XXXXX	2500PCS/Tape
YFW65R600AMJ	TO-251	YFW 65R600AMJ XXXXX	4000PCS/Tape

Maximum Ratings at Tc=25°C unless otherwise specified

Characteristics	Symbols	Value		Units
		220F	252/251	
Drain-Source Voltage	V _{DS}	650		V
Gate - Source Voltage	V _{GS}	±30		V
Continuous Drain Current	I _D	7		A
Pulsed Drain Current(note1)	I _{DM}	24		A
Power Dissipation	P _D	28	64	W
Single Pulse Avalanche Energy(note1)	E _{AS}	129		mJ
Operating Temperature Range	T _J	-50 to +150		°C
Storage Temperature Range	T _{STG}	-50 to +150		°C
Thermal Resistance, Junction-to-case	R _{θJC}	4.8	1.97	°C/W
Thermal Resistance, Junction ambient	R _{θJA}	62		°C/W

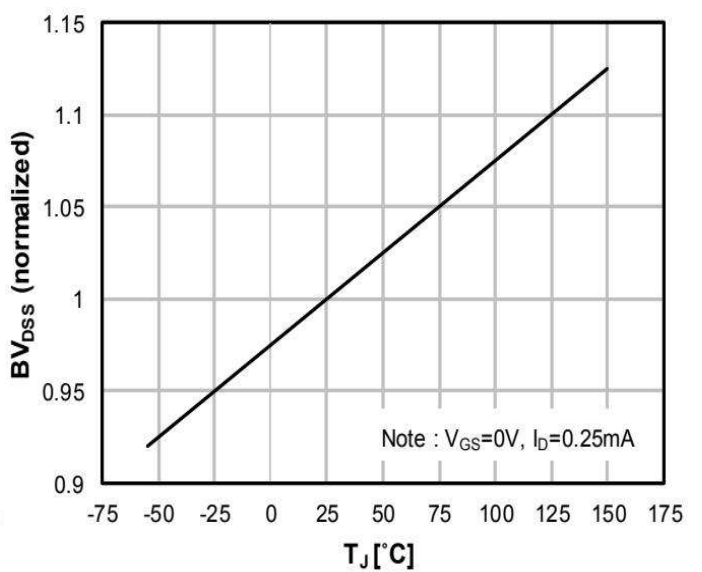
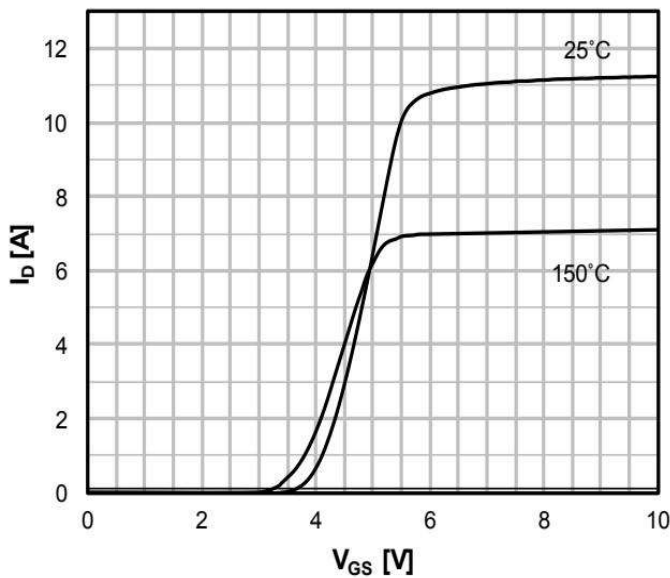
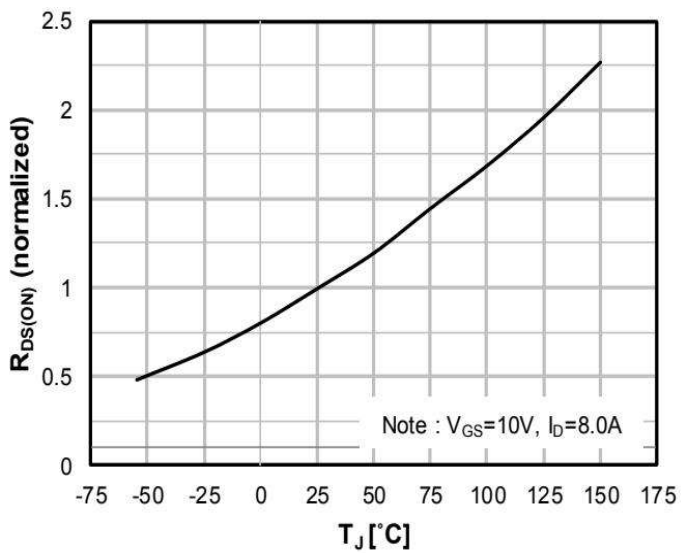
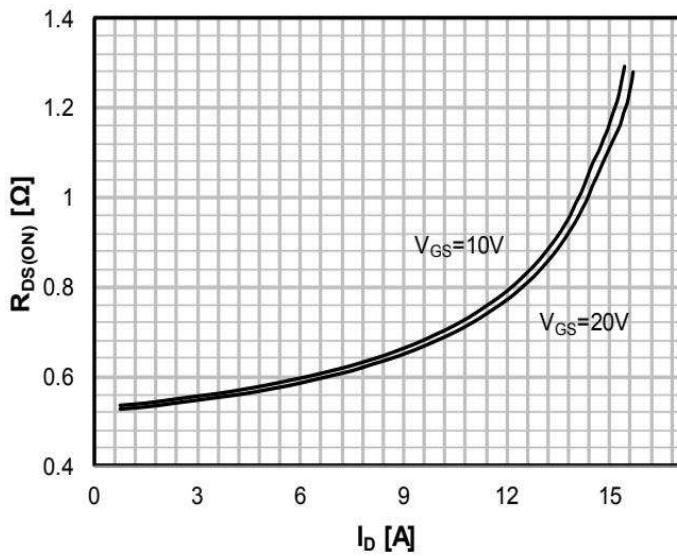
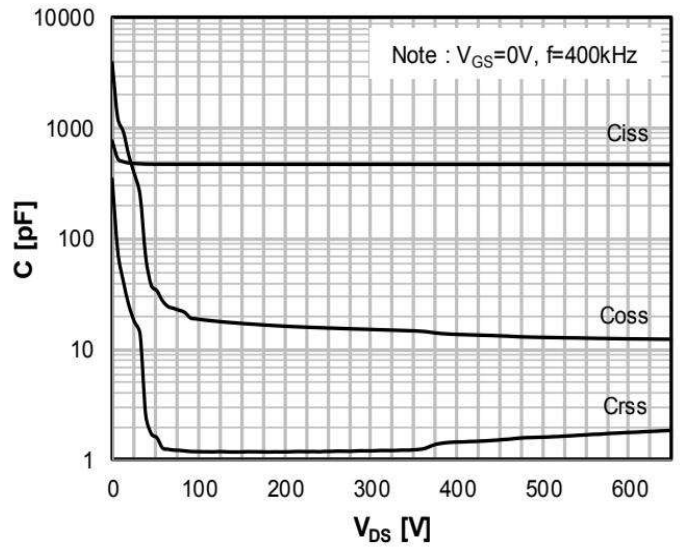
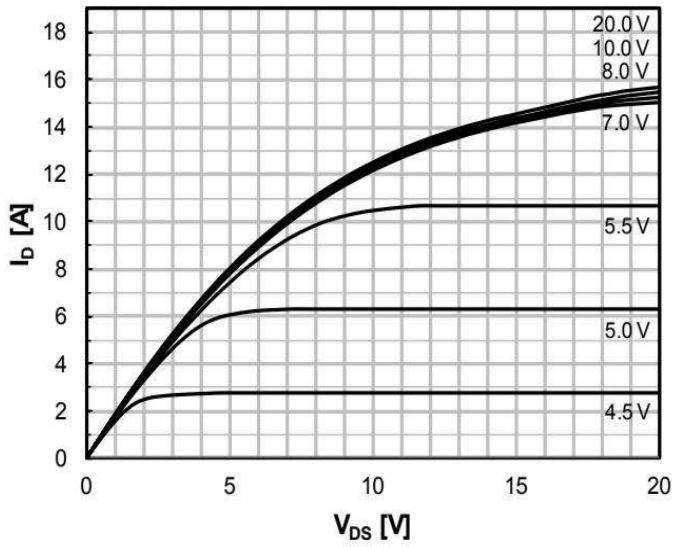
Note1:Pulse test: 300 μs pulse width, 2 % duty cycle

Maximum Ratings at Tc=25°C unless otherwise specified

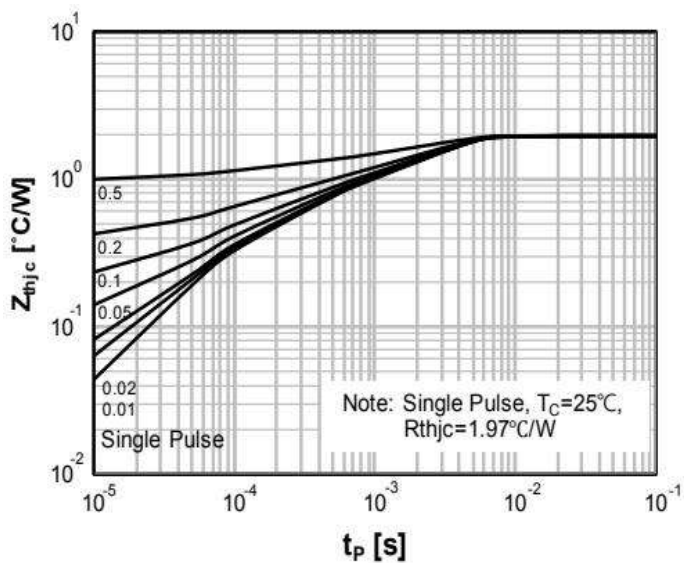
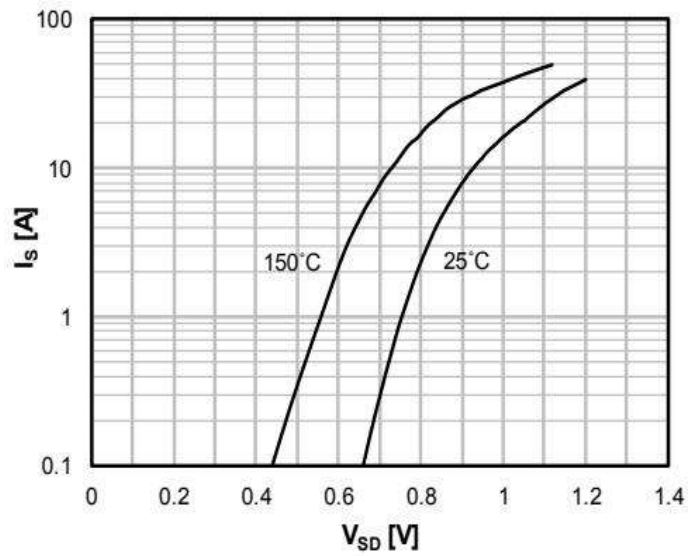
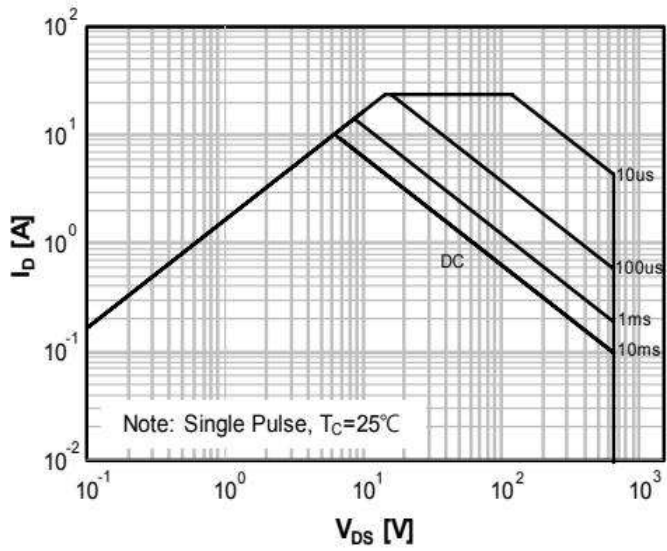
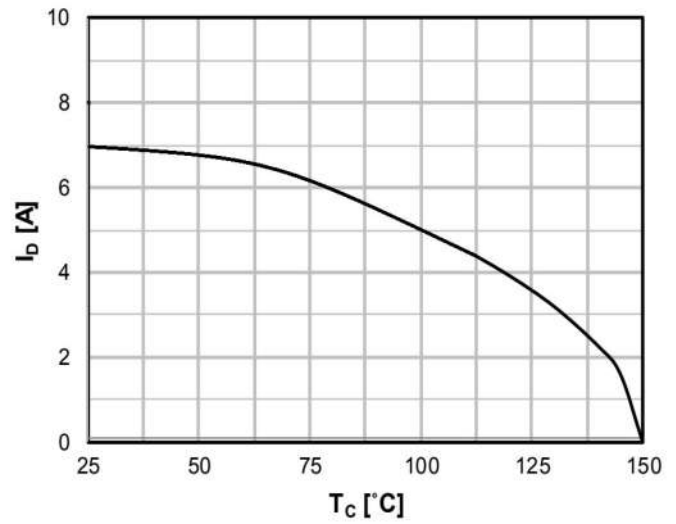
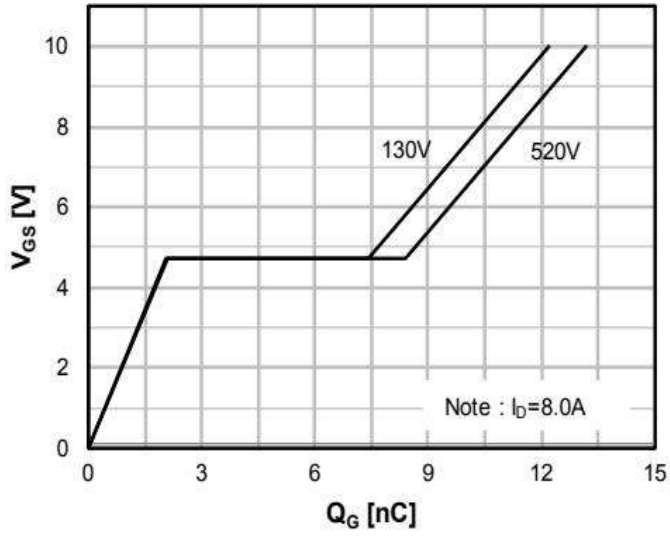
Characteristics	Test Condition	Symbols	Min	Typ	Max	Units
Drain-Source Breakdown Voltage	V _{GS} =0V, I _D =250μA	BV _{DSS}	650	-	-	V
Drain-Source Leakage Current	V _{DS} =650V, V _{GS} =0V	I _{DSS}	-	-	1	μA
Gate-Source Leakage	V _{GS} =±30V, V _{DS} =0V	I _{GSS}	-	-	±100	nA
Gate- Source Threshold Voltage	V _{DS} = V _{GS} , I _D =250μA	V _{GS(th)}	2	-	4	V
Drain-Source On State Resistance	V _{GS} =10V, I _D =3.5A	R _{DS(ON)}	-	530	600	mΩ
Forward Transconductance	V _{DS} = 5 V, I _D = 2A	g _{fs}	-	-	8	S
Input Capacitance	V _{DS} =50V V _{GS} =0V f=1MHz	C _{iss}	-	471	-	PF
Output Capacitance		C _{oss}	-	35	-	
Reverse Transfer Capacitance		C _{rss}	-	1.7	-	
Turn-on delay time(note2)	V _{DD} =325V V _{GS} =10V R _G =25Ω I _D =7A	t _{d(on)}	-	17	-	nS
Rise Time(note2)		T _r	-	26	-	
Turn-Off Delay Time(note2)		t _{d(OFF)}	-	53	-	
Fall Time(note2)		t _f	-	38	-	
Total Gate Charge(note2)	V _{DS} =520V V _{GS} =10V I _D =7A	Q _g	-	13	-	nC
Gate-to Source Charge(note2)		Q _{gs}	-	2.1	-	
Gate-Drain Charge(note2)		Q _{gd}	-	6.9	-	
Maximun Body-Diode Continuous Current		I _S	-	-	7	A
Maximun Body-Diode Pulsed Current(Note2)		I _{SM}	-	-	24	A
Drain-Source Diode Forward Voltage	T _J = 25°C, I _S = 3.5A, V _{GS} = 0V	V _{SD}	-	-	1.4	V

Note2:Pulse test: 300 μs pulse width, 2 % duty cycle

Ratings and Characteristic Curves

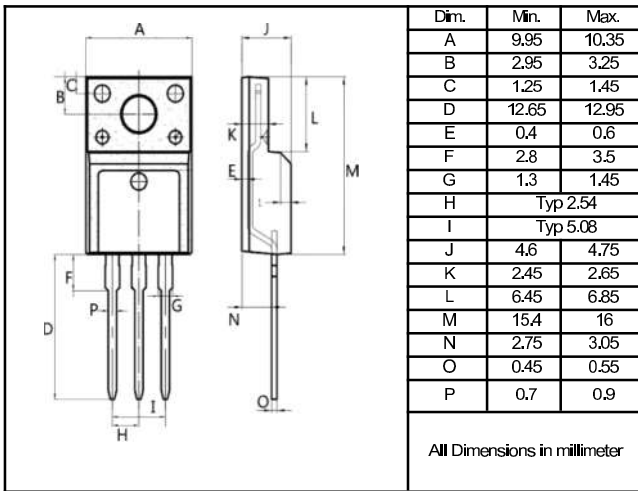


Package Outline Dimensions Millimeters

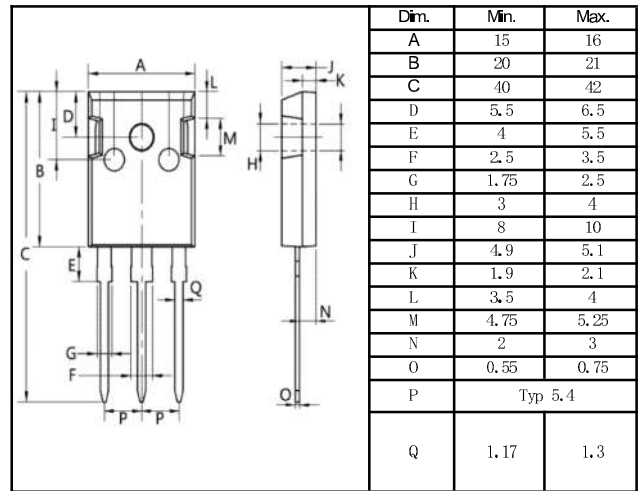


Package Outline Dimensions Millimeters

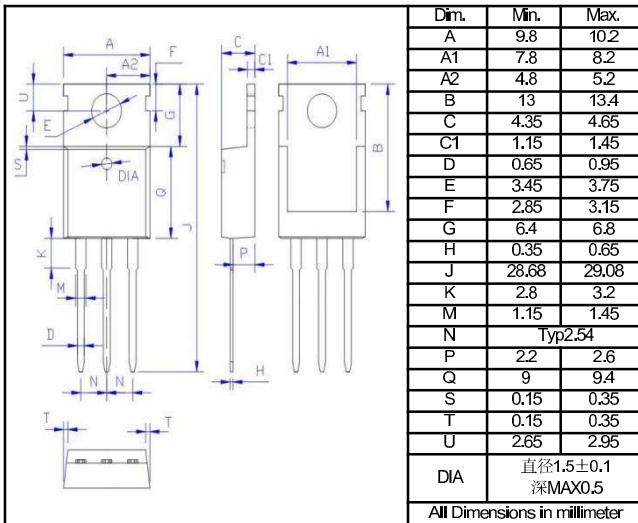
T0-220F



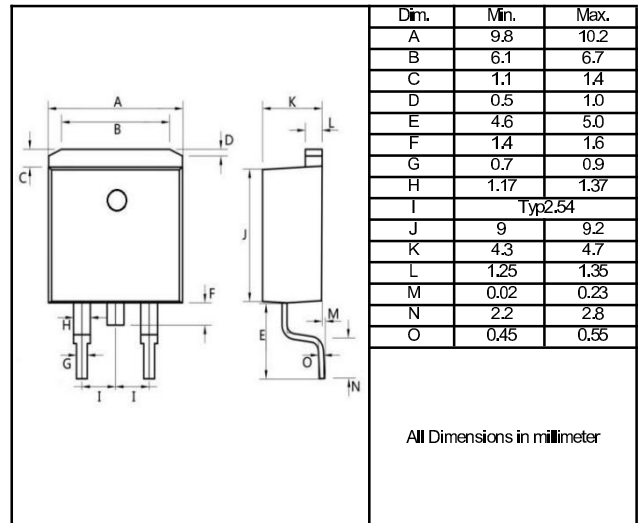
T0-247



T0-220C



T0-263C



Package Outline Dimensions Millimeters

TO-252

	Dim.	Min.	Typ.	Max.
	A	2.10	-	2.50
	A2	0	-	0.10
	B	0.66	-	0.86
	B2	5.18	-	5.48
	C	0.40	-	0.60
	C2	0.44	-	0.58
	D	5.90	-	6.30
	D1	5.30REF		
	E	6.40	-	6.80
	E1	4.63	-	-
	G	4.47	-	4.67
	H	9.50	-	10.70
	L	1.09	-	1.21
	L2	1.35	-	1.65
V1	-	7°	-	
V2	0°	-	6°	
All Dimensions in millimeter				

X-ON Electronics

Largest Supplier of Electrical and Electronic Components

Click to view similar products for [MOSFET](#) category:

Click to view products by [YFW Electronics](#) manufacturer:

Other Similar products are found below :

[IRFD120](#) [JANTX2N5237](#) [2SK2267\(Q\)](#) [BUK455-60A/B](#) [TK100A10N1,S4X\(S](#) [MIC4420CM-TR](#) [VN1206L](#) [NDP4060](#) [SI4482DY](#)
[IRS2092STRPBF-EL](#) [IPS70R2K0CEAKMA1](#) [TK31J60W5,S1VQ\(O](#) [TK31J60W,S1VQ\(O](#) [TK16J60W,S1VQ\(O](#) [2SK2614\(TE16L1,Q\)](#)
[DMN1017UCP3-7](#) [EFC2J004NUZTDG](#) [P85W28HP2F-7071](#) [DMN1053UCP4-7](#) [NTE2384](#) [DMC2700UDMQ-7](#) [DMN2080UCB4-7](#)
[DMN61D9UWQ-13](#) [US6M2GTR](#) [DMN31D5UDJ-7](#) [DMP22D4UFO-7B](#) [IPS60R3K4CEAKMA1](#) [DMN1006UCA6-7](#) [DMN16M9UCA6-7](#)
[STF5N65M6](#) [IRF40H233XTMA1](#) [STU5N65M6](#) [DMN6022SSD-13](#) [DMN13M9UCA6-7](#) [DMTH10H4M6SPS-13](#) [IPS60R360PFD7SAKMA1](#)
[DMN2990UFB-7B](#) [SSM3K35CT,L3F](#) [IPLK60R1K0PFD7ATMA1](#) [2N7002W-G](#) [MCAC30N06Y-TP](#) [IPWS65R035CFD7AXKSA1](#)
[MCQ7328-TP](#) [SSM3J143TU,LXHF](#) [DMN12M3UCA6-7](#) [PJMF280N65E1_T0_00201](#) [PJMF380N65E1_T0_00201](#)
[PJMF280N60E1_T0_00201](#) [PJMF600N65E1_T0_00201](#) [PJMF900N65E1_T0_00201](#)