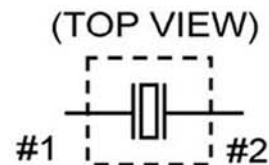
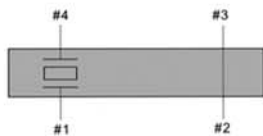
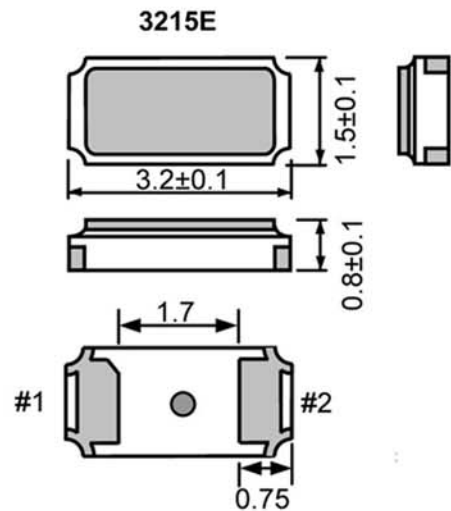
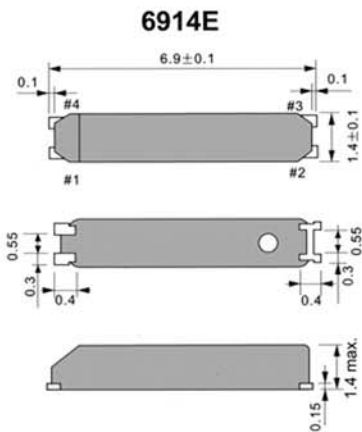


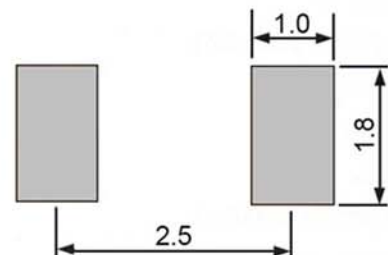
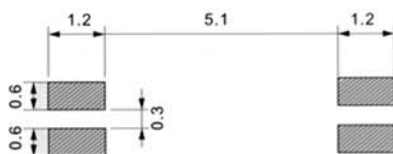
● SPECIFICATION

Type	6914E	3215E
Frequency range	32.768KHz	
Load Capacitance	7pF,12.5pF	7pF,9pF,12.5pF
Drive Level	1.0μW max.	0.5μW max.
Frequency Tolerance	±20ppm	
Series Resistance	65KΩ	70KΩ
Turnover Temperature	25±5°C	
Temperature Coefficient	-0.04 ± 0.01 PPM / °C2 max.	
Operating Temperature Range	-40°C ~ +85°C	
Storage Temperature Range	-55°C ~ +125°C	
Motional Capacitance	2.0fF Typical	3.4fF Typical
Shunt Capacitance	0.85 pF typ.	1.0 pF typ.
Insulation Resistance	500 MΩ min.	
Aging	±3ppm/Year max.	

● DIMENSIONS (mm)



● Recommended Land Pattern



X-ON Electronics

Largest Supplier of Electrical and Electronic Components

Click to view similar products for [YIC manufacturer](#):

Other Similar products are found below :

[10.24M HC49](#) [12.00M HC49-S](#) [12.288M HC49](#) [13.56M HC49U](#) [32.768K12.5PI/3215E](#) [32.768K7PI/MC306](#) [49SLMT 8.00MHZ 20PF](#)
[30PPM 49U 12.00MHZ F](#) [OSC12.288M-3.3I/S5](#) [OSC12.288M-3.3/S7](#) [OSC12M-3.3I/S3](#) [OSC16M-3.32/S5](#) [OSC1M-3.3/S7](#) [OSC20M-3.3/S5](#)
[OSC20M-3.3/S7](#) [OSC27M-3.3/S5](#) [OSC32.768K3.3I/S3](#) [OSC32.768K-3.3/S5](#) [OSC36M-3.3I/S5](#) [OSC40M-3.3/S5](#) [OSC40M-3.3/S7](#) [OSC66M-](#)
[3.3/S7](#) [ZTTCC3.68MG](#) [ZTTCR4.00MG](#) [ZTTCS10.00MT](#) [ZTTCW40.00MX](#)