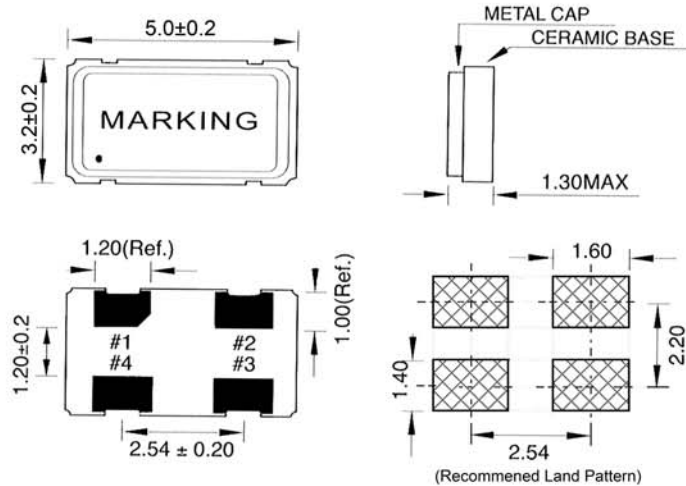


● SPECIFICATION

Model	OSC S5 RTC SERIES			
Frequency range	32.768KHz			
Storage temperature range	- 55°C ~ +125°C			
Operating temperature range	-10°C ~ +70°C , -40°C ~ +85°C			
Frequency stability	±20ppm ~ ±50ppm			
Power supply voltage	5.0V±10%	3.3V±10%	2.5V±5%	1.8V±5%
Current consumption	3mA max.	1mA max.		
Output level	C-MOS			
Load	15pF max.			
Output voltage level	VOL:10%Vdd max. / VOH:90%Vdd min.			
Duty cycle	40%~60% at 1/2Vdd			
RISE / FALL TIME	200nS max.			
AGING	±3ppm/Year			

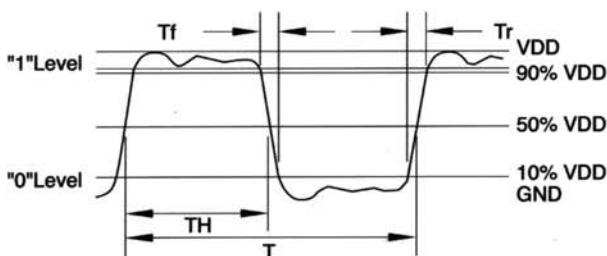
● DIMENSION (mm)



#1 : E/D #2 : GND
 #4 : VDC #3 : OUTPUT
 Bottom

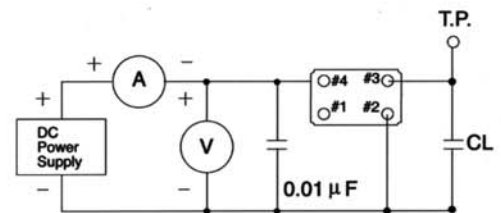
● OUTPUT WAVEFORM

C-MOS



● TEST CIRCUIT

C-MOS



Because s5 series has no by pass capacitor.
 So, we recommend our customer to use capacitor 0.01μF
 in join Vcc and GND.

X-ON Electronics

Largest Supplier of Electrical and Electronic Components

Click to view similar products for [Standard Clock Oscillators](#) category:

Click to view products by [YIC](#) manufacturer:

Other Similar products are found below :

[EP1400SJTSC-125.000M](#) [601137](#) [601252](#) [CSX750FBC-24.000M-UT](#) [CSX750FBC-33.333M-UT](#) [CSX750FCC-3.6864M-UT](#) [F335-12](#) [F335-25](#) [F535L-50](#) [DSC506-03FM2](#) [ASA-20.000MHZ-L-T](#) [ASA-25.000MHZ-L-T](#) [ASA-27.000MHZ-L-T](#) [ASV-20.000MHZ-LR-T](#) [ECS-2018-160-BN-TR](#) [EL13C7-H2F-125.00M](#) [MXO45HS-2C-66.6666MHZ](#) [NBXDBB017LN1TAG](#) [NBXHBA019LN1TAG](#) [SiT1602BI-22-33E-50.000000E](#) [SIT8003AC-11-33S-2.04800X](#) [SiT8256AC-23-33E-156.250000X](#) [SIT8918AA-11-33S-50.000000G](#) [SM4420TEV-40.0M-T1K](#) [SMA4306-TL-H](#) [F335-24](#) [F335-40](#) [F335-50](#) [F535L-10](#) [F535L-12](#) [F535L-16](#) [F535L-24](#) [F535L-27](#) [F535L-48](#) [PE7744DW-100.0M](#) [CSX750FBC-20.000M-UT](#) [CSX-750FBC33333000T](#) [CSX750FBC-4.000M-UT](#) [CSX750FBC-7.3728M-UT](#) [CSX750FBC-8.000M-UT](#) [CSX-750FCC14745600T](#) [CSX750FCC-16.000M-UT](#) [CSX-750FCC40000000T](#) [CSX750FCC-4.000M-UT](#) [ASA-22.000MHZ-L-T](#) [ASA2-26.000MHZ-L-T](#) [ASA-40.000MHZ-L-T](#) [ASA-48.000MHZ-L-T](#) [ASA-60.000MHZ-L-T](#) [ASF1-3.686MHZ-N-K-S](#)