

2RXXXS-8×6 Series

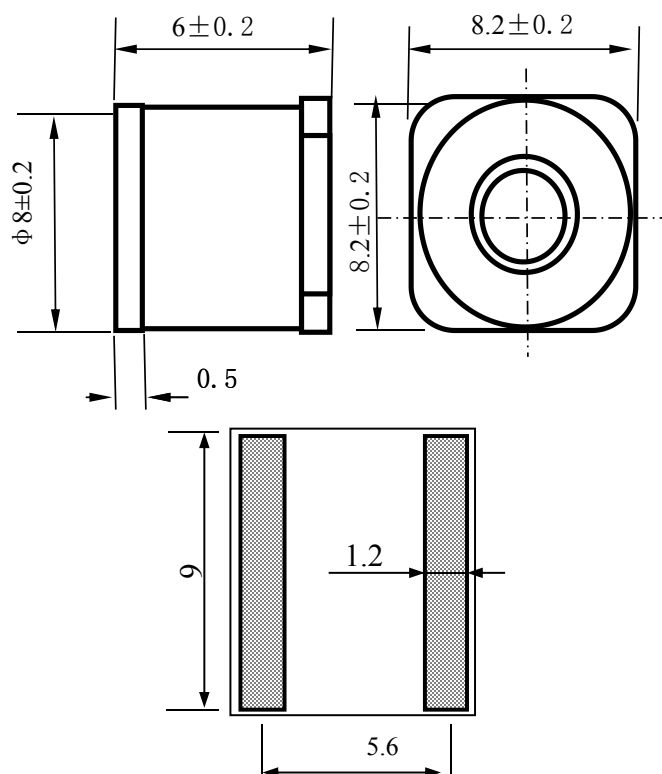
Features

- Size: 8.2mm*6mm
- Stable breakdown voltage.
- High insulation resistance.
- Low capacitance ($\leq 1\text{pF}$)
- High holdover voltage
- Storage and operational temperature: $-40^{\circ}\text{C} \sim +90^{\circ}\text{C}$

Applications

- Transient Voltage Surge Suppression(TVSS)
- Cable Telephone Product
- Modems/Cable Modems
- Broadband/CATV/Coaxial Protectors
- Communication Lines
- Power Supplies

Specification Status:Draft (mm)



Electrical Characteristics (TA = 25 °C unless otherwise noted)

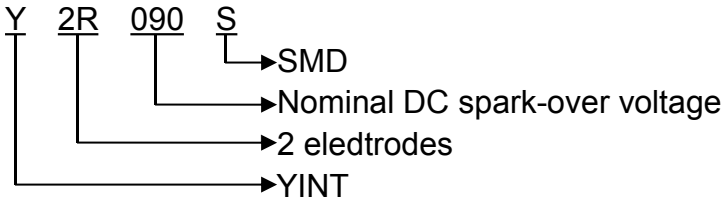
Part Number	DC Breakdown Voltage	Tolerance	Impulse Spark-over Voltage	Impulse Discharge Current 10hits(5hits each polarity)	AC Discharge Current 5 hits	Insulation Resistance*	Capacitance
	100V/s	of Vs	1kv/ μs	8/20 μs	50Hz	G Ω	1MHz
2R075S-8×6	75V	$\pm 20\%$	$\leq 600\text{V}$	10KA	10A	≥ 10	$\leq 1\text{pF}$
2R090S-8×6	90V	$\pm 20\%$	$\leq 600\text{V}$	10KA	10A	≥ 10	$\leq 1\text{pF}$
2R150S-8×6	150V	$\pm 20\%$	$\leq 700\text{V}$	10KA	10A	≥ 10	$\leq 1\text{pF}$
2R200S-8×6	200V	$\pm 20\%$	$\leq 700\text{V}$	10KA	10A	≥ 10	$\leq 1\text{pF}$
2R230S-8×6	230V	$\pm 20\%$	$\leq 700\text{V}$	10KA	10A	≥ 10	$\leq 1\text{pF}$
2R300S-8×6	300V	$\pm 20\%$	$\leq 900\text{V}$	10KA	10A	≥ 10	$\leq 1\text{pF}$
2R350S-8×6	350V	$\pm 20\%$	$\leq 1000\text{V}$	10KA	10A	≥ 10	$\leq 1\text{pF}$
2R400S-8×6	400V	$\pm 20\%$	$\leq 1000\text{V}$	10KA	10A	≥ 10	$\leq 1\text{pF}$
2R470S-8×6	470V	$\pm 20\%$	$\leq 1200\text{V}$	10KA	10A	≥ 10	$\leq 1\text{pF}$
2R600S-8×6	600V	$\pm 20\%$	$\leq 1400\text{V}$	10KA	10A	≥ 10	$\leq 1\text{pF}$

1)At delivery AQL 0.65 leave II Military Standard 105 E.

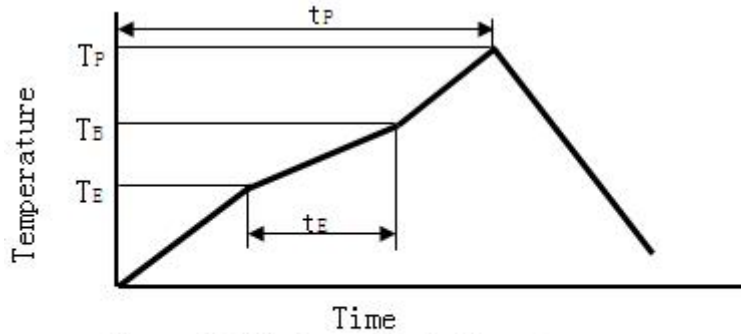
2)In ionized mode

3)Test according to ITU-T Rec.k.12

Marking

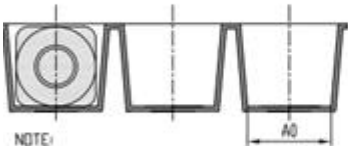
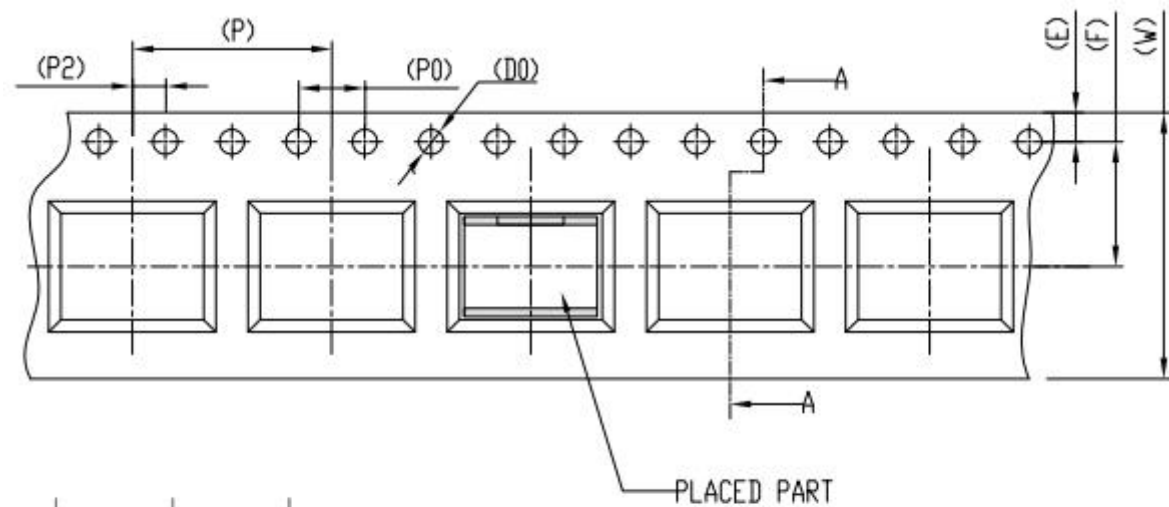


Reflow soldering curve



$T_{E \max} = 180^\circ\text{C}$ $t_{E \max} = 60\text{s (at } T_{E \max})}$
 $T_{B \max} = 220^\circ\text{C}$
 $T_{P \max} = 250^\circ\text{C}$ $t_{P \max} = 300\text{s}$ $t_{p \max} = 220\text{s (typical)}$

Package



- NOTE:
1. Material: POLYSTYRENE;
 2. All dimensions in millimeters;
 3. 10 sprocket hole pitch cumulative tolerance $\pm 0.2\text{mm}$.
 4. Part conforms to IEC 60286-3.



DIMENSION IN MM							
W	16.00±0.30	P	12.00±0.10	AO	8.60±0.10	BO	6.40±0.10
S		P0	4.00±0.10				
E	1.75±0.10	P2	2.00±0.10				
F	7.50±0.10	D0	$\phi 1.50 \pm \begin{matrix} 0.10 \\ 0 \end{matrix}$	KO	8.50±0.10		
T	0.50±0.05	D1				COLOR : B	

X-ON Electronics

Largest Supplier of Electrical and Electronic Components

Click to view similar products for [Gas Discharge Tubes - GDTs / Gas Plasma Arrestors](#) category:

Click to view products by [Yint](#) manufacturer:

Other Similar products are found below :

[PMT1023004](#) [PMT1025001](#) [RF3161-000](#) [PMT1035004](#) [PMT1040004](#) [PMT809006](#) [CG2250](#) [CG2800](#) [CG31.5L](#) [GT-SMD181240012-TR](#)
[WPGT-2N145B6L](#) [WPGT-2N230B6L](#) [WPGT-2N470B6L](#) [WPGT-2R470B6L](#) [WPGT-2RM230A6L](#) [WPGT-2RM350A6L](#) [WPGT-](#)
[2RM70A6L](#) [WPGT-2RM90A6L](#) [WPGT-2S145](#) [WPGT-2S350](#) [WPGT-2S470](#) [WPGT-3R350CF](#) [WPGT-3R350G1](#) [WPGT-3R90G1](#) [WPGT-](#)
[3R75G1](#) [WPGT-3R470G1](#) [WPGT-3R250C](#) [WPGT-3R230G1](#) [WPGT-2S230](#) [WPGT-2RM470A6L](#) [WPGT-2RM145A6L](#) [WPGT-2R3000B8L](#)
[WPGT-2R2700B8L](#) [WPGT-2R1000B8L](#) [WPGT-2N90B6L](#) [WPGT-2N70B6L](#) [WPGT-2N350B6L](#) [WPGT-2N230B6L1](#) [CG90](#) [CG2230](#)
[CG2145](#) [CG21000](#) [GT-SMD181215012-TR](#) [B88069X6940B152](#) [V20-1+NPE-280](#) [V20-3+NPE+FS-280](#) [SD09-V24 9](#) [C50-0-255](#)
[SG24PA300](#) [A9L40500](#)