

3RXXXS-5×7.6 Series

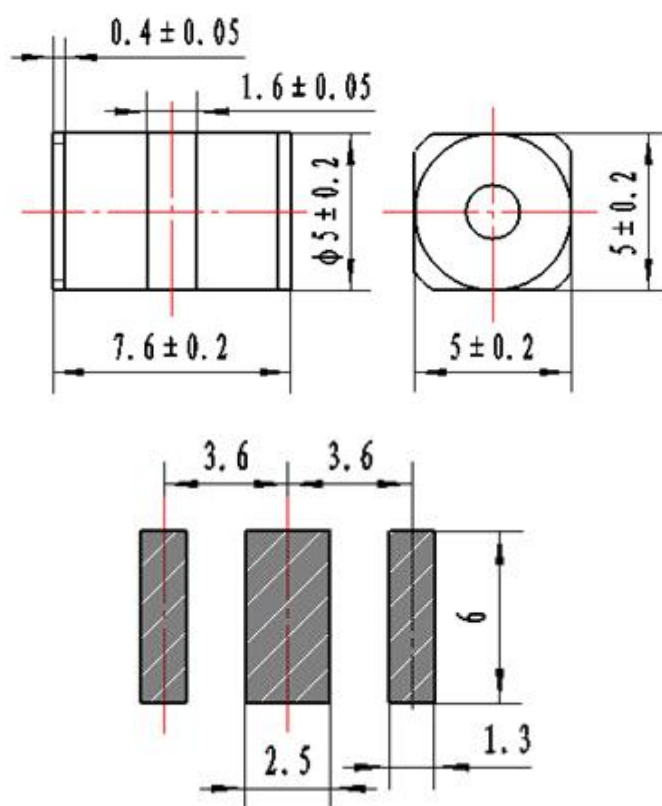
Features

- Size:5mm*7.6mm
- Stable breakdown voltage.
- High insulation resistance.
- Low capacitance ($\leq 1\text{pF}$)
- High holdover voltage
- Storage and operational temperature: $-40^{\circ}\text{C} \sim +90^{\circ}\text{C}$

Applications

- Transient Voltage Surge Suppression(TVSS)
- Cable Telephone Product
- Modems/Cable Modems
- Broadband/CATV/Coaxial Protectors
- Communication Lines
- Power Supplies

Specification Status:Draft (mm)



Electrical Characteristics (TA = 25 °C unless otherwise noted)

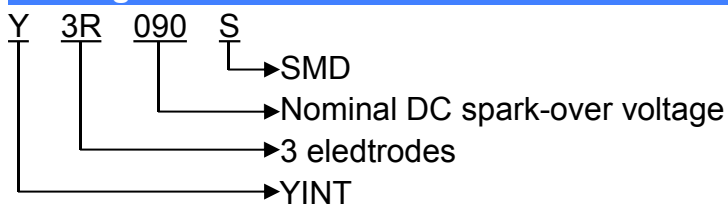
Part Number	DC Breakdown Voltage	Tolerance	Impulse Spark-over Voltage	Impulse Discharge Current 10hits(5hits each polarity)	AC Discharge Current 5 hits	Insulation Resistance*	Capacitance
	100V/s	of Vs	1kv/ μs	8/20 μs	50Hz	G Ω	1MHz
3R075S-5×7.6	75V	±20%	≤600V	5KA	5A	≥10	≤1pF
3R090S-5×7.6	90V	±20%	≤600V	5KA	5A	≥10	≤1pF
3R150S-5×7.6	150V	±20%	≤600V	5KA	5A	≥10	≤1pF
3R200S-5×7.6	200V	±20%	≤700V	5KA	5A	≥10	≤1pF
3R230S-5×7.6	230V	±20%	≤700V	5KA	5A	≥10	≤1pF
3R300S-5×7.6	300V	±20%	≤900V	5KA	5A	≥10	≤1pF
3R350S-5×7.6	350V	±20%	≤1000V	5KA	5A	≥10	≤1pF
3R400S-5×7.6	400V	±20%	≤1000V	5KA	5A	≥10	≤1pF
3R470S-5×7.6	470V	±20%	≤1200V	5KA	5A	≥10	≤1pF
3R600S-5×7.6	600V	±20%	≤1400V	5KA	5A	≥10	≤1pF

1)At delivery AQL 0.65 leave II Military Standard 105 E.

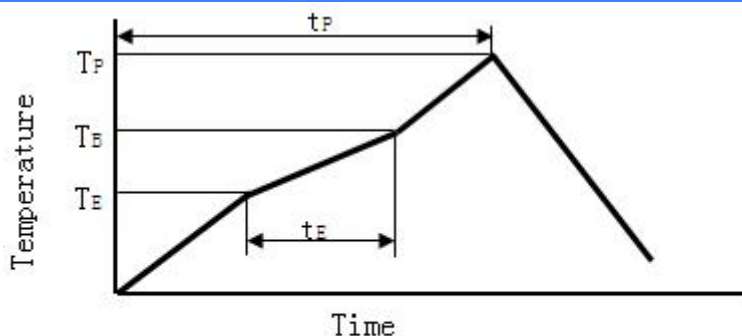
2)In ionized mode

3)Test according to ITU-T Rec.k.12

Marking

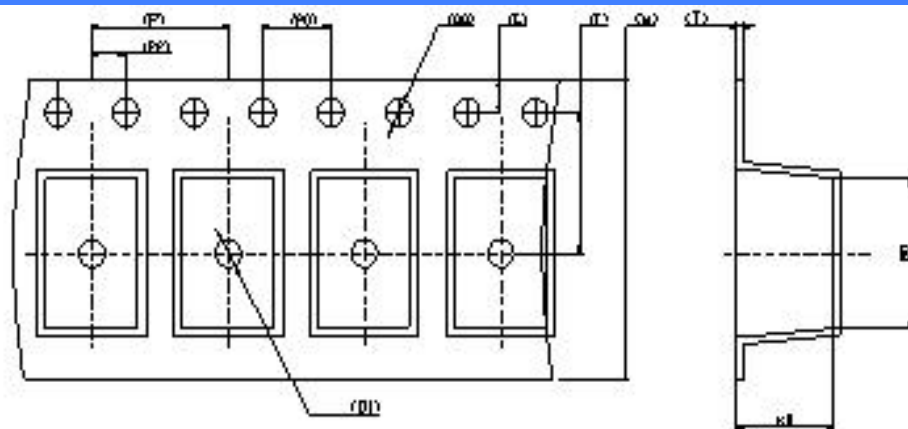


Reflow soldering curve



$T_E \text{ max} = 180^\circ\text{C}$ $t_E \text{ max} = 60\text{s (at } T_E \text{ max)}$
 $T_B \text{ max} = 220^\circ\text{C}$
 $T_P \text{ max} = 250^\circ\text{C}$ $t_P \text{ max} = 300\text{s}$ $t_P \text{ max} = 220\text{s (typical)}$

Package



W	16.00±0.30	P	8.00±0.10	A0	5.40±0.10
S		P0	4.00±0.10	A1	
E	1.75±0.10	P2	2.00±0.10	A2	
F	7.50±0.10	D0	$\phi 1.50 \pm \frac{0.10}{0}$	K0	5.70±0.10
T	0.50±0.05	D1	$\phi 1.50 \text{ MIN}$	K1	

X-ON Electronics

Largest Supplier of Electrical and Electronic Components

Click to view similar products for [Gas Discharge Tubes - GDTs / Gas Plasma Arrestors](#) category:

Click to view products by [Yint](#) manufacturer:

Other Similar products are found below :

[PMT1023004](#) [PMT1025001](#) [RF3161-000](#) [PMT1035004](#) [PMT1040004](#) [PMT809006](#) [CG2250](#) [CG2800](#) [CG31.5L](#) [GT-SMD181240012-TR](#)
[WPGT-2N145B6L](#) [WPGT-2N230B6L](#) [WPGT-2N470B6L](#) [WPGT-2R470B6L](#) [WPGT-2RM230A6L](#) [WPGT-2RM350A6L](#) [WPGT-](#)
[2RM70A6L](#) [WPGT-2RM90A6L](#) [WPGT-2S145](#) [WPGT-2S350](#) [WPGT-2S470](#) [WPGT-3R350CF](#) [WPGT-3R350G1](#) [WPGT-3R90G1](#) [WPGT-](#)
[3R75G1](#) [WPGT-3R470G1](#) [WPGT-3R250C](#) [WPGT-3R230G1](#) [WPGT-2S230](#) [WPGT-2RM470A6L](#) [WPGT-2RM145A6L](#) [WPGT-2R3000B8L](#)
[WPGT-2R2700B8L](#) [WPGT-2R1000B8L](#) [WPGT-2N90B6L](#) [WPGT-2N70B6L](#) [WPGT-2N350B6L](#) [WPGT-2N230B6L1](#) [CG90](#) [CG2230](#)
[CG2145](#) [CG21000](#) [GT-SMD181215012-TR](#) [B88069X6940B152](#) [V20-1+NPE-280](#) [V20-3+NPE+FS-280](#) [SD09-V24 9](#) [C50-0-255](#)
[SG24PA300](#) [A9L40500](#)