

SS32 thru SS310 SMA

FEATURES

- For surface mounted applications
- Metal silicon junction, majority carrier conduction
- Low power loss, high efficiency
- Built-in strain relief, ideal for automated placement
- High forward surge current capability
- High temperature soldering guaranteed: 250 °C/10 seconds at terminals
- The plastic package carries Underwriters Laboratory Flammability Classification 94V-0

Mechanical Data

- Case: JEDEC DO-214AC molded plastic
- Terminals: leads solderable per MIL-STD-750, Method 2026
- Mounting Position: Any
- Polarity: Color band denotes cathode end
- Weight: 0.005 ounce, 0.138 grams



Major Ratings and Characteristics

$I_{F(AV)}$	3.0A
V_{RRM}	20 V to 100 V
I_{FSM}	100A
V_F	0.55V, 0.70V, 0.85V
$T_{j\ max.}$	125 °C

Maximum Ratings & Thermal Characteristics

(TA = 25 °C unless otherwise noted)

Items	Symbol	SS32	SS33	SS34	SS35	SS36	SS38	SS310	Unit
Maximum repetitive peak reverse voltage	V_{RRM}	20	30	40	50	60	80	100	V
Maximum RMS voltage	V_{RMS}	14	21	28	35	42	56	70	V
Maximum DC blocking voltage	V_{DC}	20	30	40	50	60	80	100	V
Maximum average forward rectified current	$I_{F(AV)}$	3.0							A
Peak forward surge current 8.3ms single half sine-wave superimposed on rated load	I_{FSM}	100							A
Thermal resistance from junction to lead ⁽¹⁾	$R_{\theta JL}$	55							°C/W
Operating junction and storage temperature range	T_J, T_{STG}	-65 TO +125							°C

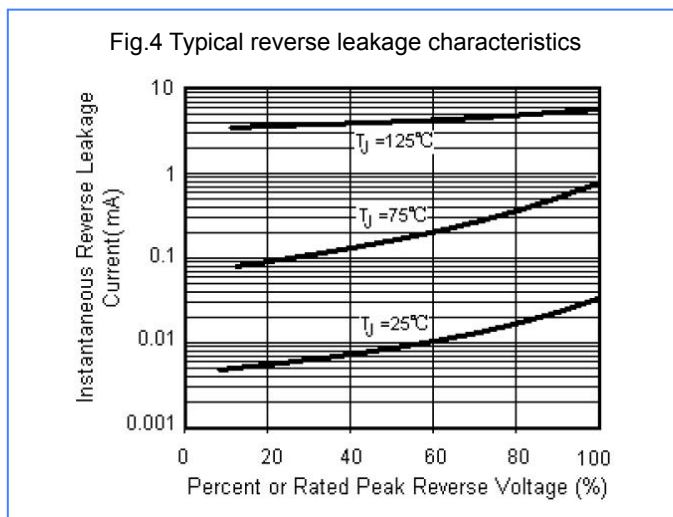
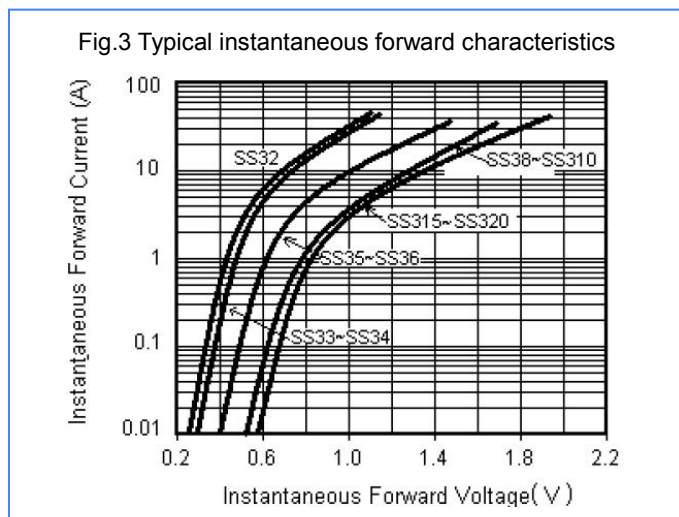
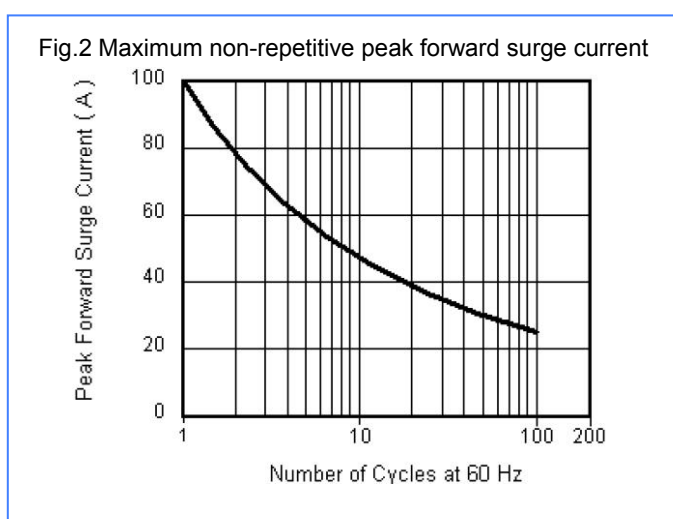
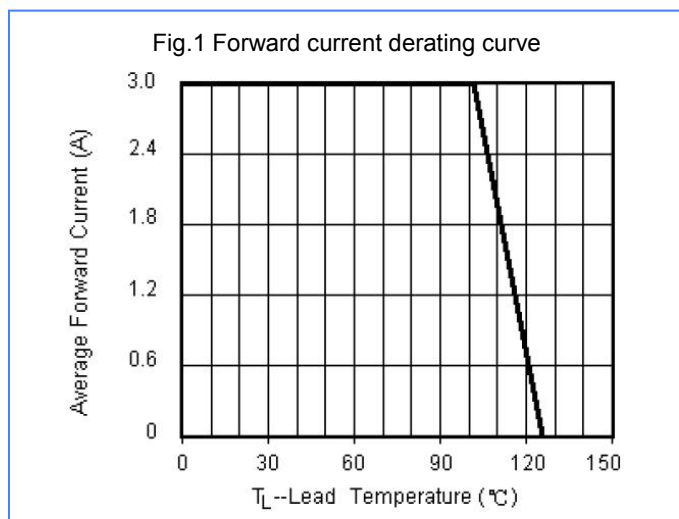
Note 1: Mounted on P.C.B. with 0.2 x 0.2" (5.0 x 5.0mm) copper pad areas.

Electrical Characteristics (TA = 25 °C unless otherwise noted)

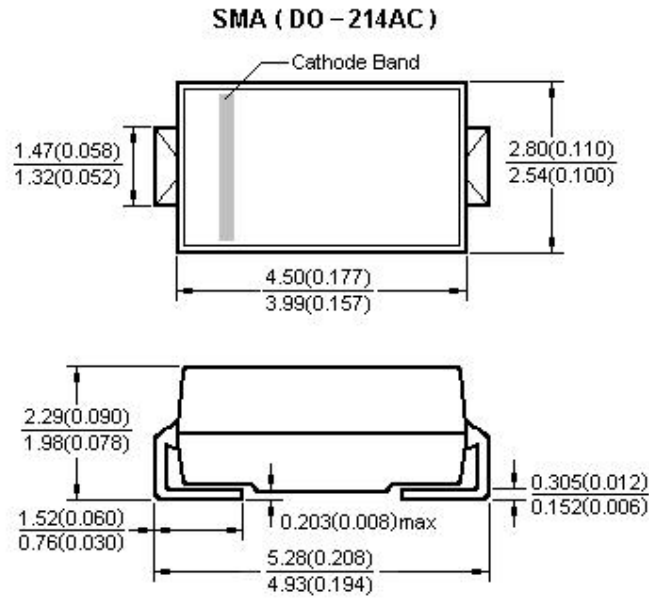
Items	Test conditions	Symbol	SS32~SS34	SS35~SS36	SS38~SS310	UNIT
Instantaneous forward voltage	IF=3.0A ⁽²⁾	V _F	0.55	0.70	0.85	V
Reverse current	V _R =V _{DC}	T _J =25°C	0.5			mA
		T _J =100°C	20	10		
Typical junction capacitance	4.0 V , 1MHz	C _J	500	300		pf

Note 2: Pulse test:300μs pulse width,1% duty cycle.

Typical Characteristics



Package Outline(SMA DO-214AC)



Dimensions in millimeters and (inches)

Disclaimer

Specifications are subject to change without notice.

The device characteristics and parameters in this data sheet can and do vary in different applications and actual device performance may vary over time.

Users should verify actual device performance in their specific applications.

X-ON Electronics

Largest Supplier of Electrical and Electronic Components

Click to view similar products for [Schottky Diodes & Rectifiers](#) category:

Click to view products by [Yint](#) manufacturer:

Other Similar products are found below :

[MA4E2039](#) [MA4E2508M-1112](#) [MBR10100CT-BP](#) [MBR1545CT](#) [MMBD301M3T5G](#) [GS1JE-TP](#) [RB160M-50TR](#) [BAS16E6433HTMA1](#)
[BAS 3010S-02LRH E6327](#) [BAT 54-02LRH E6327](#) [NSR05F40QNXT5G](#) [NSVR05F40NXT5G](#) [NTE555](#) [JANS1N6640](#) [SB07-03C-TB-H](#)
[SK310-T](#) [SK33A-TP](#) [SK34B-TP](#) [SS3003CH-TL-E](#) [PDS3100Q-7](#) [GA01SHT18](#) [CRS10I30A\(TE85L,QM](#) [MA4E2501L-1290](#)
[MBRB30H30CT-1G](#) [DMJ3940-000](#) [SB007-03C-TB-E](#) [SK32A-TP](#) [SK33B-TP](#) [SK35A-TP](#) [SK38B-LTP](#) [SK38B-TP](#) [NRVBM120LT1G](#)
[NTE505](#) [NTSB30U100CT-1G](#) [VS-6CWQ10FNHM3](#) [CRG04\(T5L,TEMQ\)](#) [ACDBA1100LR-HF](#) [ACDBA1200-HF](#) [ACDBA2100-HF](#)
[ACDBA240-HF](#) [ACDBA3100-HF](#) [CDBQC0530L-HF](#) [ACDBA260LR-HF](#) [ACDBA1100-HF](#) [MA4E2502L-1246](#) [10BQ060-M3/5BT](#)
[NRVB130LSFT1G](#) [CRS08TE85LQM](#) [PMAD1108-LF](#) [B120Q-13-F](#)