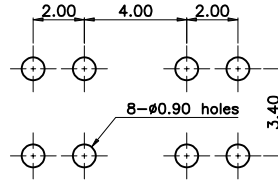
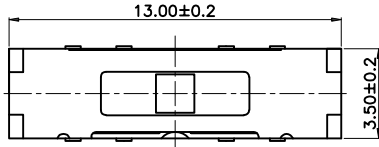


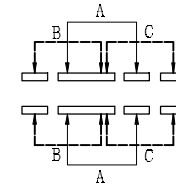
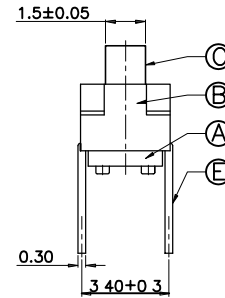
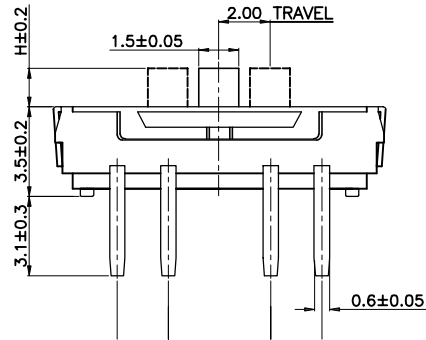
RoHS

CAD GENERATED DRAWING. DON'T CHANGE BY HAND.

REV.	ECN. NO.	APPD.



PCB Layout(Pattern side)



Circuit Diagram

Specification

Operating Life	10,000
Contact rating	300mA@4V DC.
Insulation resistance	50 Ω min.
Contact resistance	100W
Dielectric Strength	250 V 50HZ 1Min
Travel	0.2 ± 0.1mm

No	Terminal	Number	Qty	Material	Remarks
1	Contact reed	2		Beryllium copper Silver covered	
2	Handle	1		PA66	Black
3	Cover	1		SUS	Silver
4	Base	1		LCP	Gray

P/N	Operating Force(gf)	Height mm	Leads Shape (G,J,T)	Ground pin (0,1)	Pegs Option(0,1)
YSS-B	1	180±50	C	4	T
			B	3	
			A	2	

THESE DRAWINGS AND SPECIFICATIONS ARE THE PROPERTY OF YIYUAN TECHNOLOGY CO.,LTD AND SHALL NOT BE REPRODUCED, COPIED OR USED IN ANY MANNER WITHOUT THE PRIOR WRITTEN CONSENT OF YIYUAN TECHNOLOGY CO.,LTD

X. ±0.50	X.° ± 2°	UNITS
.X ±0.30	.X° ± 1°	mm
.XX ±0.10	.XX° ± 0.5°	MAT'L
.XXX ± 0.05		FINISH
		Q'TY



深圳市怡远科技有限公司
SHENZHEN YIYUAN TECHNOLOGY CO.,LTD

PART NO.	YSS-B	TITLE:	大八立插拨动开关
APPD:	ROGER	DWG NO.:	YSS-B
CHKD:	RDC	SCALE	SHEET
DR:	BILLY WANG 2020/08/21	1/1	1/1
		REV.	A1

X-ON Electronics

Largest Supplier of Electrical and Electronic Components

Click to view similar products for [Slide Switches](#) category:

Click to view products by [YIYUAN](#) manufacturer:

Other Similar products are found below :

[6-1437581-1](#) [M43R](#) [MHS123K15D](#) [MHS133K](#) [MMD](#) [MSS12A](#) [1825160-3](#) [1825167-2](#) [K232CB](#) [25139NLDB](#) [25449NAH](#) [1825078-1](#)
[1825080-4](#) [1825269-1](#) [1825270-2](#) [STS141RA04](#) [T2215BEN506](#) [GH46P000001](#) [GH49P010001](#) [25339NA](#) [25436NLDH](#) [M42A](#)
[TG36P000000](#) [AYZ0202AG](#) [L203091MS02Q](#) [4-1437581-7](#) [X2225CR-437W](#) [48BFSP3M2QT](#) [1101M1S3ZB8E2](#) [1-1437581-1](#)
[EG1218REDACTUATOR](#) [MSS2225G04](#) [TG39W000000](#) [MSS42G](#) [T105S1CWZBE](#) [SLB124145](#) [SLB1280R5](#) [SLB1340R45](#) [25136NLDB](#)
[TG39W000050](#) [25149NAH](#) [TG36Y000050](#) [NK236X693](#) [GE36P000001](#) [46204LRX](#) [EPS1PC2](#) [C56206L1X](#) [1977143-4](#) [1977144-4](#)
[1977145-4](#)