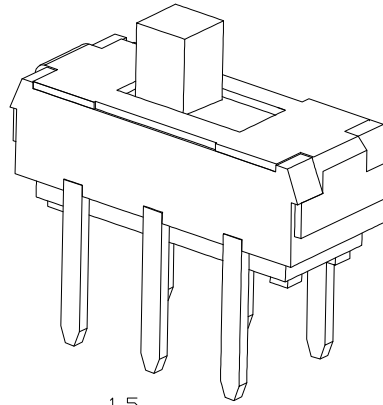
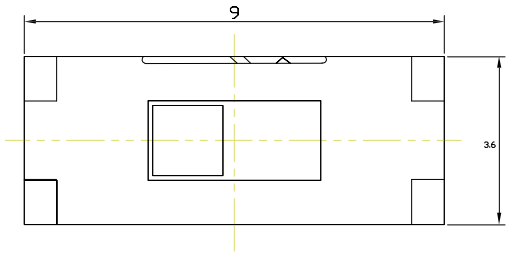


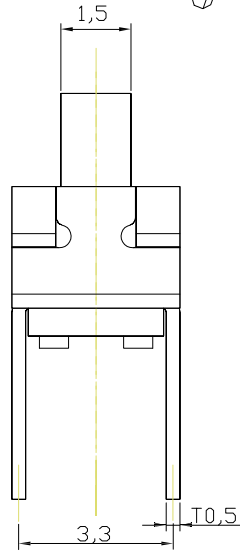
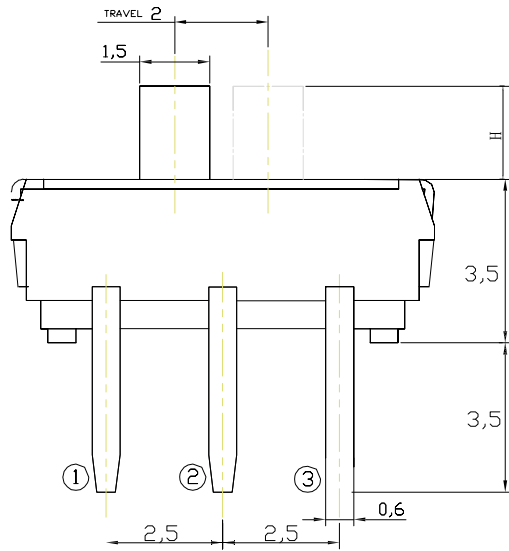
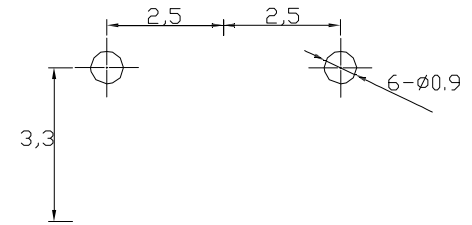
RoHS

CAD GENERATED DRAWING. DON'T CHANGE BY HAND.

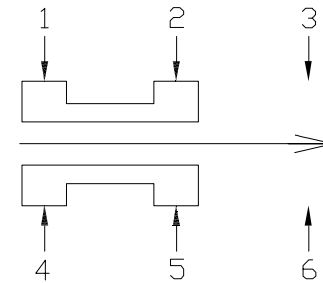
REV.	ECN. NO.	APPD.



P. C. B MOUNTING PATTERN DIMENSION  
the following soldering are recommended for reflow soldering



CIRCUIT DIAGRAM



手柄尺寸

1.5\*1.5

2.0\*2.0

Specification

Operating Life	10,000	Part Name	Material	Specification
Contact rating	300mA@4V DC.	Cover plate	silver white	Silver plating of stainless steel
Insulation resistance	≤100Ω	button	black	PA46/9T
Contact resistance	>100MΩ	spring	ecru	Stainless steel wire
Dielectric Strength	250 V 50HZ 1Min	reed	silver	Phosphor bronze plated with silver
Travel	0.2±0.1mm	base	black	PA46/9T/LCP
		terminal	silver	Phosphor copper plating silver

Mechanical

P/N	Operating Force(gf)	Height mm	Knob	Leads Shape (G,J,T)	Ground pin (0,1)	Pegs (0,1)
YSS-M	1 200±70	C 4 B 3 A 2	1 1.5×1.5 2 2.0×2.0	T	0	0

X. ±0.50	X.° ± 2°	UNITS mm
.X ±0.30	.X° ± 1°	
.XX ±0.10	.XX° ± 0.5°	MAT'L
.XXX ±0.05		FINISH
		Q'TY



深圳市怡远科技有限公司  
SHENZHEN YIYUAN TECHNOLOGY CO.,LTD

PART NO. YSS-M	TITLE: 大六立插拨动开关
APPD: ROGER	DWG NO: YSS-M
CHKD: RDC	
DR: BILLY WANG 2020/08/21	SCALE SHEET REV. 1/1 1/1 A1

## X-ON Electronics

Largest Supplier of Electrical and Electronic Components

*Click to view similar products for [Slide Switches](#) category:*

*Click to view products by [YIYUAN](#) manufacturer:*

Other Similar products are found below :

[6-1437581-1](#) [M43R](#) [MHS123K15D](#) [MHS133K](#) [MMD](#) [MSS12A](#) [1825160-3](#) [1825167-2](#) [K232CB](#) [25139NLDB](#) [25449NAH](#) [1825078-1](#)  
[1825080-4](#) [1825269-1](#) [1825270-2](#) [STS141RA04](#) [T2215BEN506](#) [GH46P000001](#) [GH49P010001](#) [25339NA](#) [25436NLDH](#) [M42A](#)  
[TG36P000000](#) [AYZ0202AG](#) [L203091MS02Q](#) [4-1437581-7](#) [X2225CR-437W](#) [48BFSP3M2QT](#) [1101M1S3ZB8E2](#) [1-1437581-1](#)  
[EG1218REDACTUATOR](#) [MSS2225G04](#) [TG39W000000](#) [MSS42G](#) [T105S1CWZBE](#) [SLB124145](#) [SLB1280R5](#) [SLB1340R45](#) [25136NLDB](#)  
[TG39W000050](#) [25149NAH](#) [TG36Y000050](#) [NK236X693](#) [GE36P000001](#) [46204LRX](#) [EPS1PC2](#) [C56206L1X](#) [1977143-4](#) [1977144-4](#)  
[1977145-4](#)