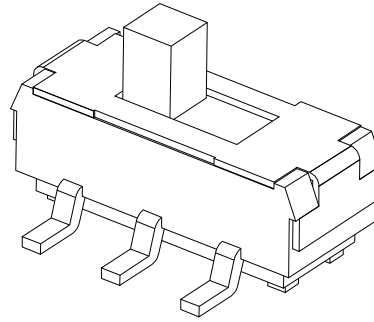
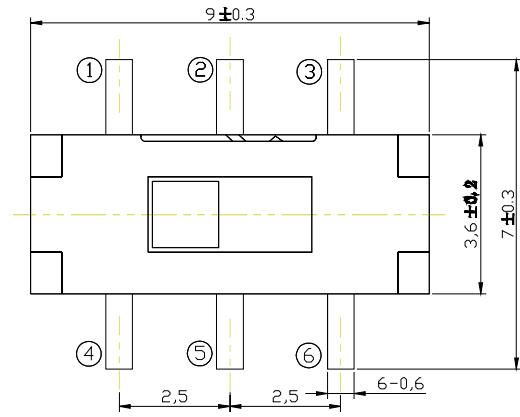


RoHS

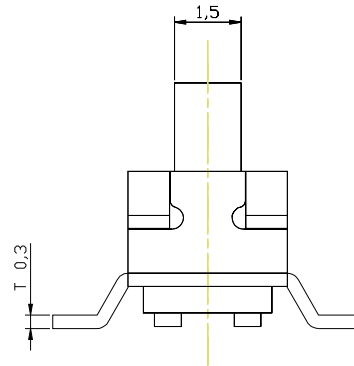
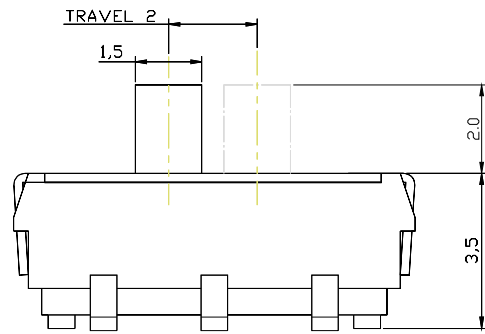
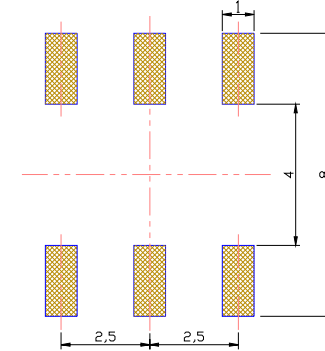
CAD GENERATED DRAWING. DON'T CHANGE BY HAND.

REV.	ECN. NO.	APPD.

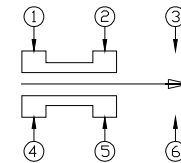


P.C.B MOUNTING PATTERN DIMENSION

the following soldering are recommended for surface soldering



circuit diagram



Specification

		Part Name	Material	Specification
Operating Life	10,000	Cover plate	silver white	Silver plating of stainless steel
Contact rating	300mA@4V DC.	button	black	PA46/9T
Insulation resistance	>100Ω	spring	ecru	Stainless steel wire
Contact resistance	≤100MΩ	reed	silver	Phosphor bronze plated with silver
Dielectric Strength	250 V 50HZ 1Min	base	black	PA46/9T/LCP
Travel	0.2±0.1mm	terminal	silver	Phosphor copper plating silver

Mechanical

P/N	Operating Force(gf)	Height mm	Leads Shape (G,J,T)	Ground pin (0,1)	Pegs Option (0,1)
yssp	2	200±70	C 4 B 3 A 2	G	0 0

THESE DRAWINGS AND SPECIFICATIONS ARE THE PROPERTY OF YIYUAN TECHNOLOGY CO.,LTD AND SHALL NOT BE REPRODUCED, COPIED OR USED IN ANY MANNER WITHOUT THE PRIOR WRITTEN CONSENT OF YIYUAN TECHNOLOGY CO.,LTD

X. ±0.50	X.° ±2°	UNITS mm
.X ±0.30	.X° ±1°	
.XX ±0.10	.XX° ±0.5°	MAT'L
.XXX ±0.05		

FINISH	
Q'TY	

yiYUAN 深圳市怡远科技有限公司
SHENZHEN YIYUAN TECHNOLOGY CO.,LTD

PART NO. YSSP TITLE: 大六立贴拨动开关

APPD: ROGER DWG NO.: YSSP

CHKD: ROC

DR: BILLY WANG 2020/08/21

SCALE SHEET REV. 1/1 1/1 A1

X-ON Electronics

Largest Supplier of Electrical and Electronic Components

Click to view similar products for [Slide Switches](#) category:

Click to view products by [YIYUAN](#) manufacturer:

Other Similar products are found below :

[6-1437581-1](#) [M43R](#) [MHS123K15D](#) [MHS133K](#) [MMD](#) [MSS12A](#) [1825074-1](#) [1825160-3](#) [1825167-2](#) [1825289-7](#) [25139NLDB](#) [25449NAH](#)
[SLB1240R45](#) [1825078-1](#) [1825080-4](#) [1825269-1](#) [1825270-2](#) [STS141RA04](#) [T2215BEN506](#) [GH46P000001](#) [GH49P010001](#) [M42A](#)
[AYZ0202AG](#) [L203091MS02Q](#) [4-1437581-7](#) [48BFSP3M2QT](#) [1101M1S3ZB8E2](#) [1-1437581-1](#) [EG1218REDACTUATOR](#) [MSS2225G04](#)
[MSS42G](#) [T105S1CWZBE](#) [SLB124145](#) [SLB1280R5](#) [TG39W000050](#) [25149NAH](#) [25439NAH](#) [25436NAH6](#) [TG36Y000050](#) [NK236X693](#)
[46204LRX](#) [1977143-4](#) [1977144-4](#) [HASS0194](#) [JS0001](#) [SSJ12R04](#) [GR5-1323-0800](#) [GH36Y410001](#) [S202041MS04Q](#) [25446NAB](#)