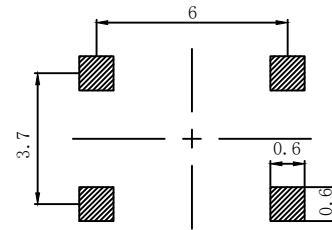
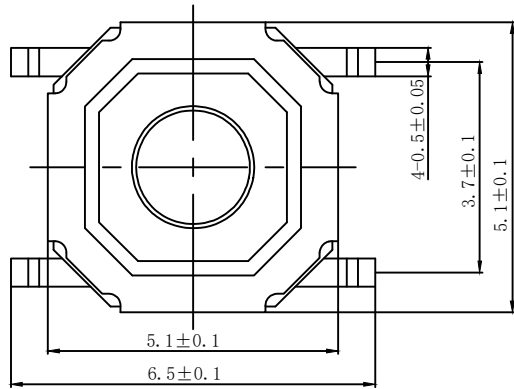
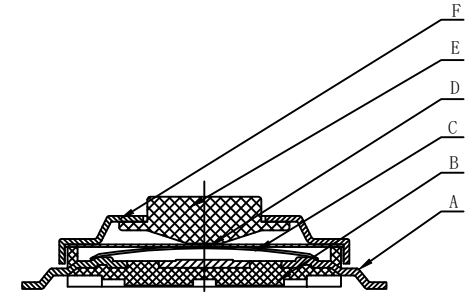


CIRCUIT DIAGRAM



P. C. B MOUNTING PATTERN DIMENSION

the following soldering are recommended for reflow soldering



Mechanical

Mechanical

Specification

Specification		Type	Operating Force (gf)	Height (mm)	Button	Leads Shape (G,J,T)	Ground pin (0,1)	Pegs Option (0,1)
Operating Life	$\geq 100,000$	F	350 $\pm$ 50	M	5.0			
Contact rating	50mA@12V DC.	E	250 $\pm$ 50	L	4.5			
Insulation resistance	100 $\Omega$ min.	D	160 $\pm$ 50	K	4.3			
Contact resistance	100M $\Omega$ max.	C	100 $\pm$ 30	J	4.0			
Dielectric Strength	250 V AC(1mm)	H		H	3.5	M (Brass)	G	0
Travel	0.2 $\pm$ 0.05mm	G		G	3.0	P (Plastic)		
		F		F	2.5			
		E		E	2.3			
		D		D	2.0			
		C		C	1.7			
		B		B	1.6			
		A		A	1.5			

X. $\pm 0.50$	X.° $\pm 2^\circ$	UNITS mm	<b>深圳市怡远科技有限公司</b> SHENZHEN YIYUAN TECHNOLOGY CO., LTD
.X $\pm 0.20$	.X° $\pm 1^\circ$		
.XX $\pm 0.10$	.XX° $\pm 0.5^\circ$	MAT'L	PART NO. YTS10H005
.XXX $\pm 0.05$		FINISH	TITLE: TACTILE SWITCH 5.2x5.2 G脚
THESE DRAWINGS AND SPECIFICATIONS ARE THE PROPERTY OF YIYUAN TECHNOLOGY CO.,LTD AND SHALL NOT BE REPRODUCED, COPIED OR USED IN ANY MANNER WITHOUT THE PRIOR WRITTEN CONSENT OF YIYUAN TECHNOLOGY CO.,LTD Email at info@yiyuanswitches.com		Q'TY	APPD: ROGER
			CHKD: ROC
			DR: BILLY WANG 2020/08/21
			DWG NO.: YTS10H005
			SCALE SHEET REV. 1/1 1/1 A1

## X-ON Electronics

Largest Supplier of Electrical and Electronic Components

*Click to view similar products for [Tactile Switches](#) category:*

*Click to view products by [YIYUAN](#) manufacturer:*

Other Similar products are found below :

[5GTH92001](#) [5GTH9202242](#) [6407-250V-25273P](#) [ADTSA62NV](#) [ADTSA62RV](#) [B3F-3123](#) [1977177-8](#) [1977266-1](#) [ADTSA63NV](#)  
[ADTSM21NSVTR](#) [ADTSM25RVTR](#) [ADTSM32NVTR](#) [ADTSMW64RV](#) [FSMRA4JHA04](#) [GS4.70F300QP](#) [KSC241J SP DELTA LFS](#)  
[3FTL600RAS](#) [3FTL640RAS](#) [Y96K132V0FPLFS](#) [5GTH9658222](#) [6407-250V-25343P](#) [ADTSM31NVTR](#) [2-1977120-7](#) [TSJW-5.2-260-TR](#)  
[KMT011MNGJLHS](#) [B3WN6002S](#) [70-201.0](#) [ADTSG648NV](#) [ADTSM62KSVTR](#) [ADTSM648NV](#) [95C06E3RAT](#) [5GTH96561](#) [3ATH9Q](#)  
[FSMRA8JHA04](#) [HARS0073](#) [Y33R411N9FPLFT](#) [Y31C01402FPLFS](#) [PTS645SK50SMTR92](#) [ADTSM32NVB](#) [KMS233GPWTLFG](#)  
[Y78B64124FP](#) [Y96D113G0FP LFS](#) [Y33A812C5FP LFT](#) [Y56B2D120FP LFS](#) [PTS645 DVM83-BN125-2 LFS](#) [B3W 1000G](#) [KSC621G OL](#)  
[LFS](#) [B3F 1002C](#) [B3F 0047H](#) [B3F 1000G](#)