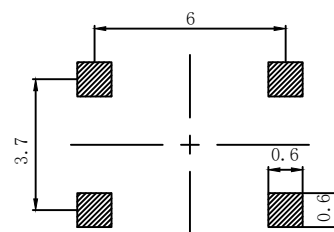
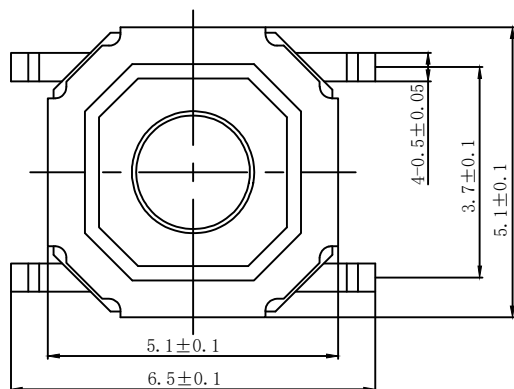
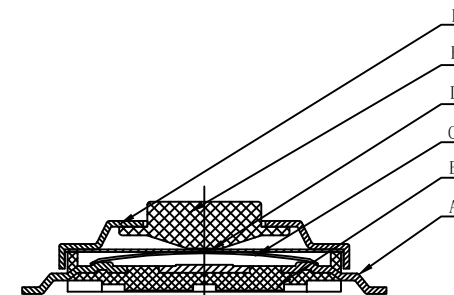


CIRCUIT DIAGRAM



P. C. B MOUNTING PATTERN DIMENSION

the following soldering are recommended for reflow soldering



Mechanical

Mechanical

Specification

Specification		Mechanical					Type	Operating Force (gf)	Height mm	Button	Leads Shape (G,J,T)	Ground pin (0,1)	Pegs Option (0,1)
Operating Life	$\geq 100,000$	F	Cover	HC1	1	Stainless steel	YTS10H005	M	5.0	M (Brass) P (Plastic)	G	0	
Contact rating	50mA@12V DC.	E	Button	HD4	1	Brass		L	4.5				
Insulation resistance	100 Ω min.	D	Dust proof film	HF1	1	0.05		K	4.3				
Contact resistance	100M Ω max.	C	Shrapnel	HE13	1	Imported stainless steel covered with silver		J	4.0				
Dielectric Strength	250 V AC(1mm)	B	Base	HB4	1	LCP		H	3.5				
Travel	0.2 \pm 0.05mm	A	Card	HA2	1	Brass		G	3.0				
		ITEM	DESCRIPTION	MATERIAL	QTY	FINISH/COLOR		F	2.5				
								E	2.3				
								D	2.0				
								C	1.7				
								B	1.6				
								A	1.5				

X. ± 0.50	X.° $\pm 2^\circ$	UNITS mm	深圳市怡远科技有限公司 SHENZHEN YIYUAN TECHNOLOGY CO., LTD						
.X ± 0.20	.X° $\pm 1^\circ$								
.XX ± 0.10	.XX° $\pm 0.5^\circ$	MAT'L	PART NO. YTS10H005						
.XXX ± 0.05		FINISH	TITLE: TACTILE SWITCH 5.2x5.2 G脚						
THESE DRAWINGS AND SPECIFICATIONS ARE THE PROPERTY OF YIYUAN TECHNOLOGY CO.,LTD AND SHALL NOT BE REPRODUCED, COPIED OR USED IN ANY MANNER WITHOUT THE PRIOR WRITTEN CONSENT OF YIYUAN TECHNOLOGY CO.,LTD Email at info@yiyuanswitches.com		Q'TY	APPD: ROGER						
			CHKD: ROC						
			DR: BILLY WANG 2020/08/21						
			DWG NO. : YTS10H005						
			<table border="1"> <tr> <th>SCALE</th> <th>SHEET</th> <th>REV.</th> </tr> <tr> <td>1/1</td> <td>1/1</td> <td>A1</td> </tr> </table>	SCALE	SHEET	REV.	1/1	1/1	A1
SCALE	SHEET	REV.							
1/1	1/1	A1							

X-ON Electronics

Largest Supplier of Electrical and Electronic Components

Click to view similar products for [Tactile Switches](#) category:

Click to view products by [YIYUAN](#) manufacturer:

Other Similar products are found below :

[5GTH92001](#) [5GTH9202242](#) [6407-250V-25273P](#) [ADTSA62NV](#) [ADTSA62RV](#) [B3F-3123](#) [1977177-8](#) [1977266-1](#) [ADTSA63NV](#)
[ADTSM21NSVTR](#) [ADTSM25RVTR](#) [ADTSM32NVTR](#) [ADTSMW64RV](#) [FSMRA4JHA04](#) [GS4.70F300QP](#) [KSC241J SP DELTA LFS](#)
[3FTL600RAS](#) [3FTL640RAS](#) [Y96K132V0FPLFS](#) [5GTH9658222](#) [ADTSM31NVTR](#) [2-1977120-7](#) [TSJW-5.2-260-TR](#) [KMT011MNGJLHS](#)
[B3WN6002S](#) [70-201.0](#) [ADTSG648NV](#) [ADTSM62KSVTR](#) [ADTSM648NV](#) [95C06E3RAT](#) [5GTH96561](#) [3ATH9Q](#) [FSMRA8JHA04](#)
[HARS0073](#) [Y33R411N9FPLFT](#) [Y31C01402FPLFS](#) [PTS645SK50SMTR92](#) [ADTSM32NVB](#) [KMS233GPWTLFG](#) [Y78B64124FP](#)
[Y96D113G0FP LFS](#) [Y33A812C5FP LFT](#) [Y56B2D120FP LFS](#) [PTS645 DVM83-BN125-2 LFS](#) [B3W 1000G](#) [KSC621G OL LFS](#) [B3F 1002C](#)
[B3F 0047H](#) [B3F 1000G](#) [B3W 1002C](#)